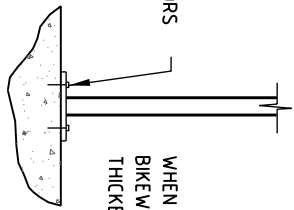


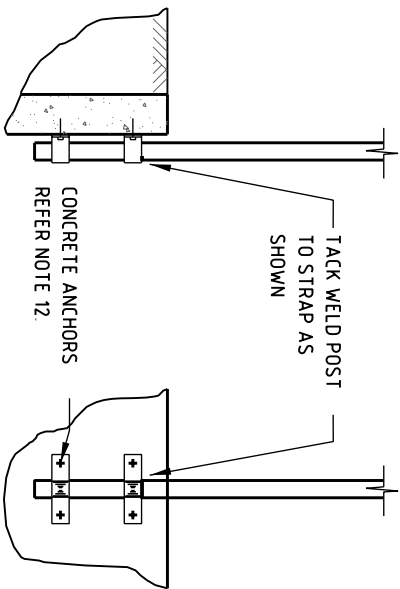
CONCRETE ANCHORS
REFER NOTE 12

WHEN BOLTING TO PATHWAYS
BIKEWAYS ETC LOCALLY
THICKEN CONCRETE TO SUIT



TYPE 2

TACK WELD POST
TO STRAP AS
SHOWN

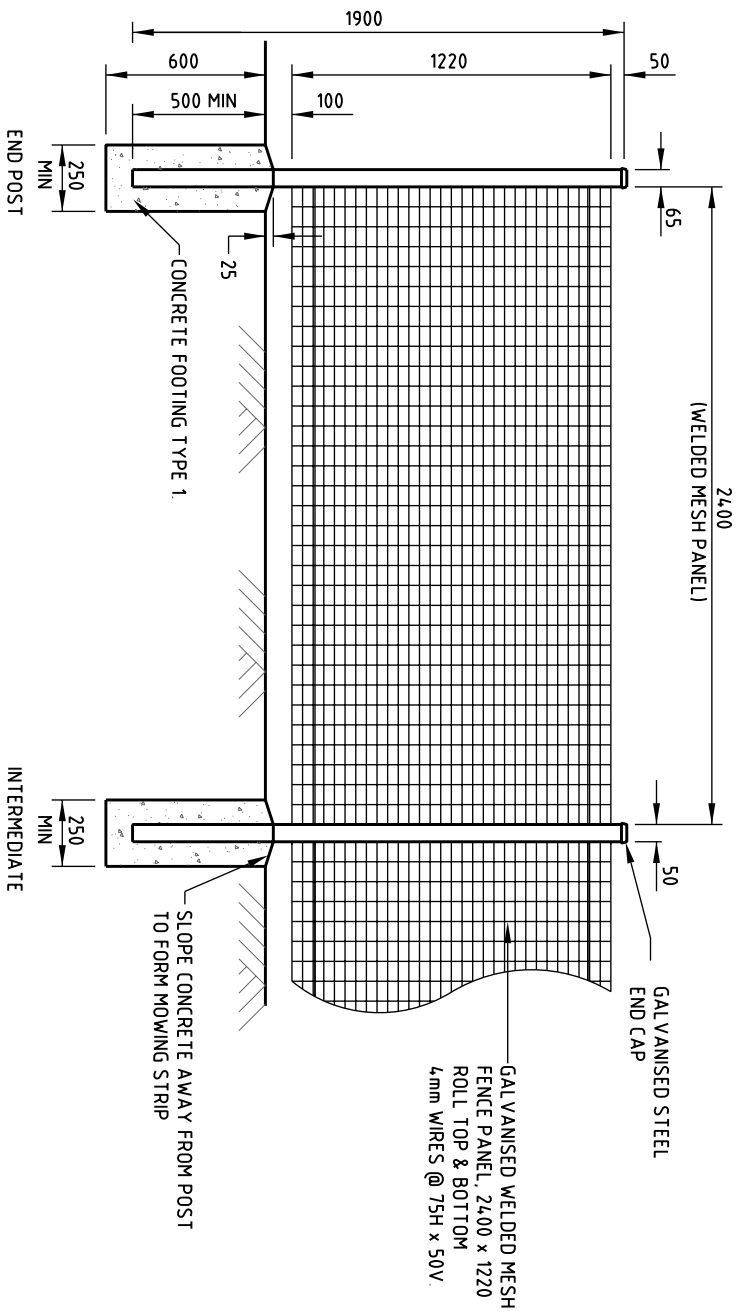


TYPE 3

ALTERNATIVE FOOTING DETAILS

NOTES:

1. GATE AND END POSTS TO BE 65x65x2 GALVANISED R.H.S. (REFER AS 1163)
2. INTERMEDIATE POSTS TO BE 50x50x2 GALVANISED R.H.S. (REFER AS 1163)
3. PANELS TO BE FIXED TO POSTS IN ACCORDANCE WITH MANUFACTURER'S SPECIFICATION
4. WELDED MESH PANELS TO BE ARC "ACACIA" OR EQUIVALENT
5. ALL GALVANISING TO BE IN ACCORDANCE WITH AS/NZS 4680.
6. COLOURED POWDER COATING MAY BE USED SUBJECT TO COUNCIL APPROVAL.
7. POSTS ARE TO BE SET VERTICALLY IN CONCRETE GRADE NZ5.
8. RAKED PANELS ARE AVAILABLE FOR SLOPES UP TO 10° (1 IN 6).



TYPICAL SECTION

9. NUTS TO BE SPOT WELDED TO BOLTS AND COLD GALVANISED AS AN ANTI-THEFT DETERRANT.
10. THESE FENCES ARE INTENDED AS A PEDESTRIAN BARRIER AND ARE NOT TO BE USED IN SITUATIONS WHERE MOTOR VEHICLES REQUIRE RESTRAINT.
11. TYPE 2 AND 3 DETAILS ARE INDICATIVE ONLY. ENGINEER'S DETAILS TO BE SUBMITTED FOR COUNCIL APPROVAL.
12. CONCRETE ANCHORS TO TYPE 2 AND 3 DETAILS SHALL BE $\phi 12$ STAINLESS STEEL CHEMICAL ANCHORS.
13. 1270mm HIGH x 3000 PANELS MAY BE USED SUBJECT TO COUNCIL APPROVAL.
14. DIMENSIONS ARE IN MILLIMETRES UNLESS SHOWN OTHERWISE.

THIS DRAWING IS NOT TO BE AMENDED WITHOUT
REFERENCE TO STANDARDS COMMITTEE

CONTROLLED
DOCUMENT

DO NOT SCALE
TAKE FIGURED DIMENSIONS ONLY

STANDARD DRAWING

MICROFILMED



Gold Coast City Council

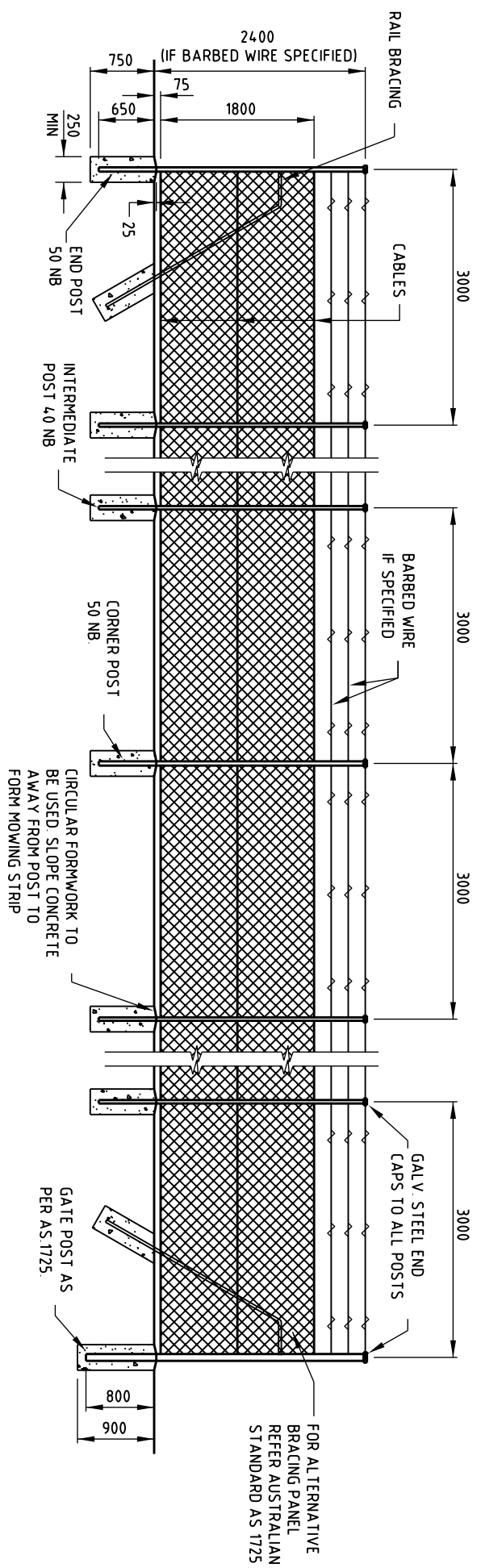
GOLD COAST CITY COUNCIL
GOLD COAST, MC 9728

No.	AMENDMENT	APPROVED	DATE	ISSUED

DRAWN BY	TECHNICAL SERVICES BRANCH	DO NOT SCALE TAKE FIGURED DIMENSIONS ONLY
PASSED	12/03/04	
APPROVED	12/03/04	

**PEDESTRIAN BARRIER GALVANISED
WELDED MESH FENCING**

STANDARD No.
05-05-001
ISSUE
2005 EDITION



TYPICAL SECTION

- NOTES:**
1. GATE POSTS TO BE CONTINUOUS LENGTHS GALVANISED STEEL TUBE TO AS 1725
 2. CORNER AND END POSTS TO BE CONTINUOUS LENGTHS 50 NB (60.3 OD, 2.3 THICK) GALVANISED STEEL TUBE (AS 1163 REFERS)
 3. INTERMEDIATE POSTS TO BE CONTINUOUS LENGTHS 40 NB (48.3 OD, 2.3 THICK) GALVANISED STEEL TUBE (AS 1163 REFERS)
 4. STANDARD COUPLINGS MAY BE USED FOR ALL CONNECTIONS
 5. GALVANISED STEEL END CAPS TO BE PROVIDED TO ALL POSTS.
 6. CORNER POSTS ARE TO BE ADAPTED AT CHANGE IN DIRECTION.
 7. 1800 CHAIN WIRE TO BE HEAVY GALVANISED 2.5 THICK x 50 MESH TO AS 2423 BARB TOP, KNUCKLED BOTTOM.
 8. RAIL BRACING TO BE 32 NB (42.2 OD, 2.0 THICK) STEEL TUBE (AS 1163 REFERS)
 9. POSTS ARE TO BE SET VERTICALLY IN CONCRETE GRADE NZ5
 10. CABLES ARE TO BE FORMED FROM TWO Ø3 15 WIRES TWISTED TOGETHER OR ONE STRAND 4 THICK HEAVY GALVANISED SPIRAL.
 11. ALL POSTS, STAYS AND CABLES ARE TO BE GALVANISED IN ACCORDANCE WITH AS/NZS 4680.
 12. CHAIN WIRE TO BE FIXED USING HEAVY GALVANISED 16 WIRE TIES OR EQUIVALENT AS FOLLOWS:
 - INTERMEDIATE POSTS AT 3 LOCATIONS.
 - END POSTS AT 3 LOCATIONS.
 - HORIZONTAL CABLE AT 375 CENTRES TO TOP CABLE.
 - HORIZONTAL CABLE AT 600 CENTRES TO MIDDLE CABLE.
 - HORIZONTAL CABLE AT 450 CENTRES TO BOTTOM CABLE.
 13. BRACING PANELS TO BE PROVIDED AT ALL CHANGES IN DIRECTION AND EVERY 150m ON STRAIGHT ALIGNMENTS.
 14. 900mm, 1200mm, 2400mm & 2800mm HEIGHTS MAY BE USED SUBJECT TO COUNCIL APPROVAL.
 15. DIMENSIONS ARE IN MILLIMETRES UNLESS SHOWN OTHERWISE.

THIS DRAWING IS NOT TO BE AMENDED WITHOUT REFERENCE TO STANDARDS COMMITTEE

CONTROLLED DOCUMENT

DO NOT SCALE TAKE FIGURED DIMENSIONS ONLY

MICROFILMED



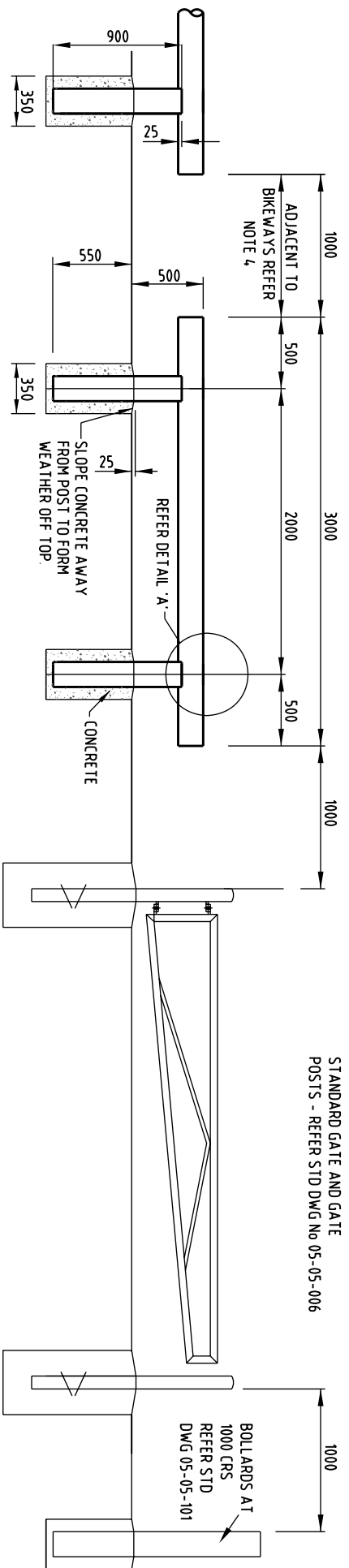
Gold Coast City Council	
GOLD COAST, CITY COUNCIL GOLD COAST, QC 9729	
No.	AMENDMENT
APPROVED	DATE
ISSUED	

DRAWN BY	TECHNICAL SERVICES BRANCH
PASSED	12/03/04
APPROVED	12/03/04

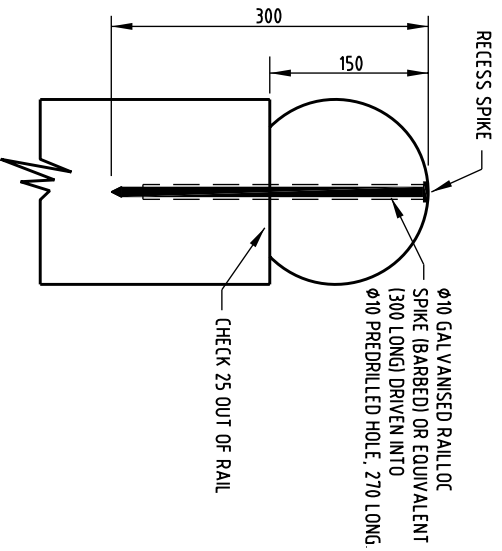
STANDARD DRAWING

CHAIN WIRE FENCING
(1.8m HIGH)

STANDARD DRAWING No. **05-05-004**
ISSUE 2005 EDITION



SECTIONAL ELEVATION



DETAIL 'A'

NOTES:

1. ALL CONCRETE TO BE GRADE N25.
2. LOG BARRIERS INCLUDING POSTS TO BE 175 DIAMETER (OR TO MATCH EXISTING AS DIRECTED BY COUNCIL)
3. PAINT ALL CUT TIMBER SURFACES WITH CUPRINOL OR EQUIVALENT.
4. AT BIKEWAY SLOWDOWN DEVICES, A CONTINUOUS RAIL SHALL BE PROVIDED.
5. ALL TIMBER TO BE CCA TREATED TO LEVEL H4 (AS1604.)
6. CHECK FOR ANY SERVICE LOCATIONS PRIOR TO BORING POST HOLES.
7. DIMENSIONS ARE IN MILLIMETRES UNLESS SHOWN OTHERWISE.

THIS DRAWING IS NOT TO BE AMENDED WITHOUT REFERENCE TO STANDARDS COMMITTEE

CONTROLLED DOCUMENT

DO NOT SCALE TAKE FIGURED DIMENSIONS ONLY

STANDARD DRAWING

MICROFILMED

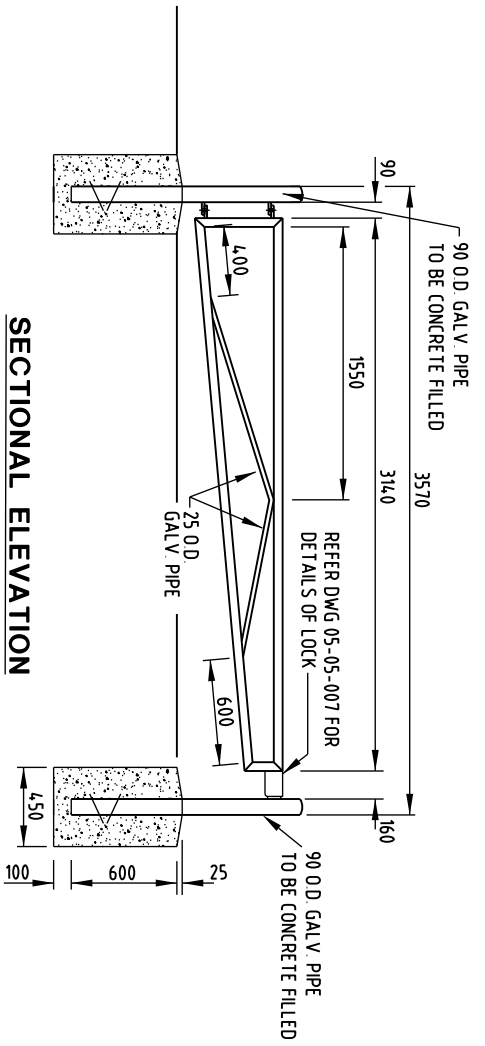


No.	AMENDMENT	APPROVED	DATE	ISSUED

DRAWN BY	TECHNICAL SERVICES BRANCH	DATE

LOW PROFILE LOG BARRIER FENCING (500 HIGH)

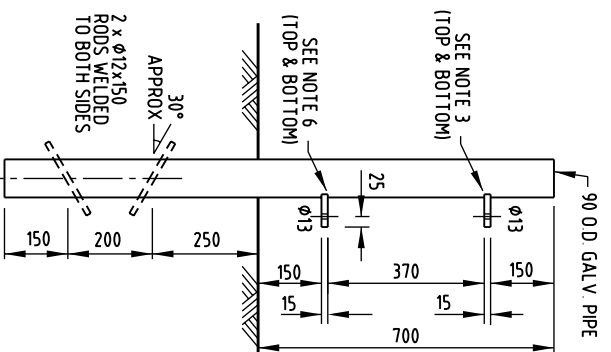
STANDARD DRAWING No. **05-05-005**
ISSUE **2005 EDITION**



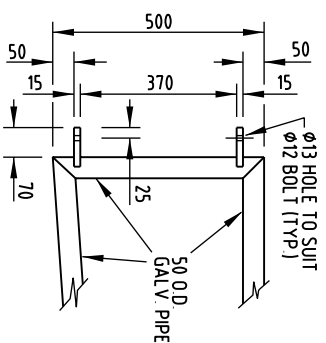
SECTIONAL ELEVATION

NOTES:

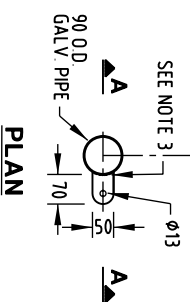
1. ALL CONCRETE TO BE GRADE N25.
2. GATE TO BE MOUNTED TO POST WITH TWO M12 GALVANISED STEEL BOLTS 40 LONG SUITABLY BURRED AFTER ERECTION.
3. HINGE LUGS TO BE 6 FILET WELDED TO POST AND GATE PRIOR TO ERECTION.
4. ALL END AND MITRE JOINTS TO BE BUTT WELDED ALL AROUND.
5. ALL PIPES TO BE MEDIUM GAUGE HEAVY GALVANISED FINISHED WITH TWO COATS OF TWO PART 125 MICRON MINIMUM TOTAL THICKNESS (eg WATTYL PARACRYL OR EQUIVALENT PROCESS). COLOUR TO MATCH COLORBOND "CAULFIELD GREEN".
6. ALL WELDS AND BARE METAL TO BE THOROUGHLY CLEANED AND PAINTED WITH COLD GALVANISING PRIMER PRIOR TO FINISH COAT.
7. DIMENSIONS ARE IN MILLIMETRES UNLESS SHOWN OTHERWISE.



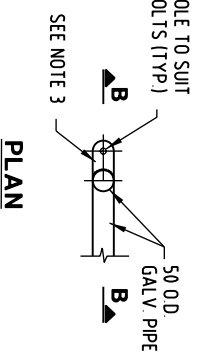
SECTION A-A



SECTION B-B



PLAN



PLAN

POST HINGE DETAILS

GATE HINGE DETAILS

THIS DRAWING IS NOT TO BE AMENDED WITHOUT REFERENCE TO STANDARDS COMMITTEE

CONTROLLED DOCUMENT

DO NOT SCALE TAKE FIGURED DIMENSIONS ONLY

STANDARD DRAWING

MICROFILMED



No.	AMENDMENT	APPROVED	DATE	ISSUED

DRAWN BY	TECHNICAL SERVICES BRANCH	12/03/04

STANDARD DRAWING No.	ISSUE
05-05-006	2005 EDITION

