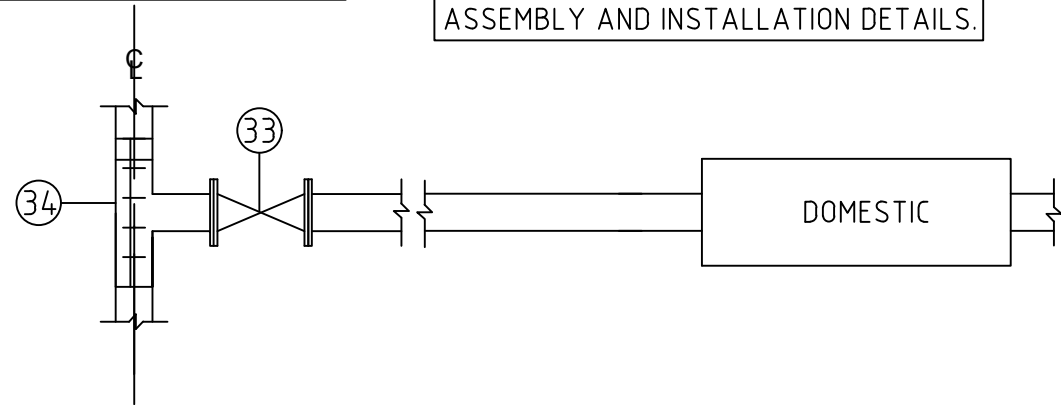


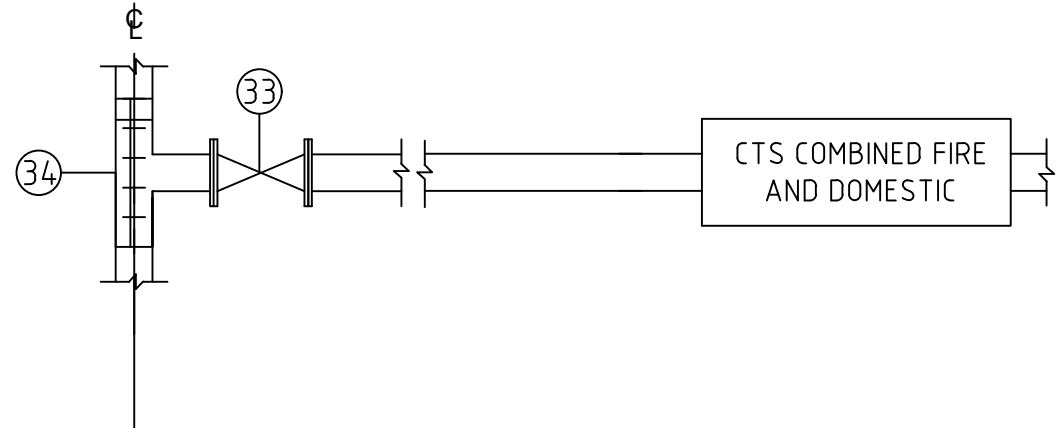
EITHER UNDER PRESSURE OR CUT-IN CONNECTIONS

PLAN VIEW IS DIAGRAMMATIC ONLY. REFER METER DETAIL SHEETS FOR ASSEMBLY AND INSTALLATION DETAILS.

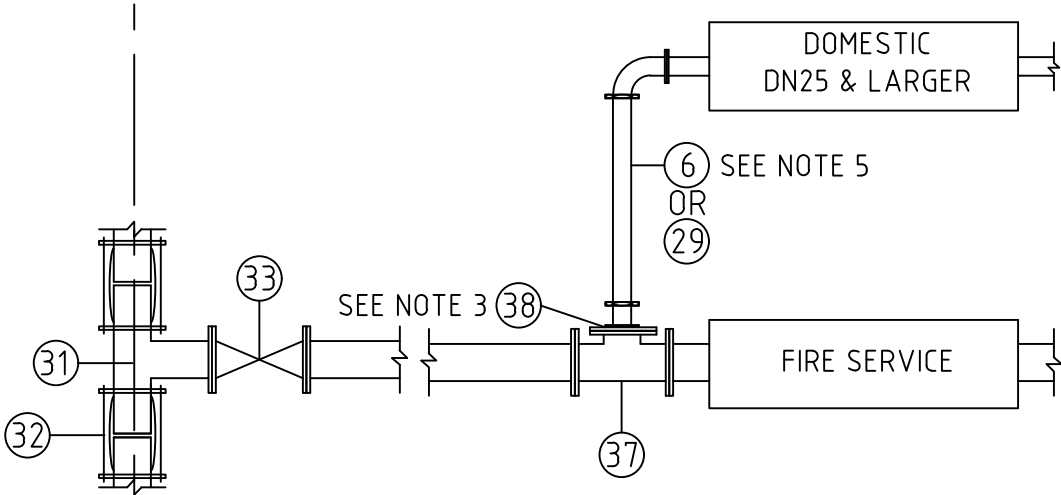
TYPE 1A - MECHANICAL METER ASSEMBLY.  
TYPE 2A - ULTRASONIC OR ELECTRONIC-MAGNETIC FLOW METER ASSEMBLY.



**OPTION 1**  
TYPE 1A SEE NOTE 4. DN50 AND LARGER METER ASSEMBLIES.

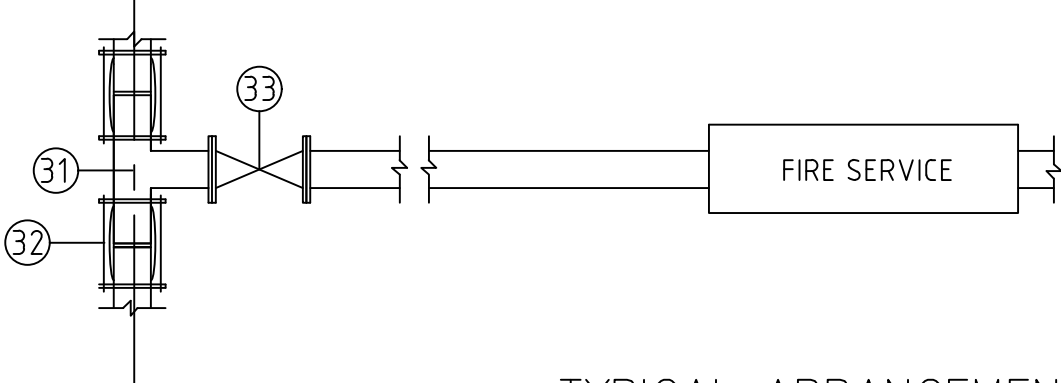


**OPTION 2**  
TYPE 2A ONLY.  
DN100 AND LARGER METER ASSEMBLIES. ALLOWED FOR CTS DEVELOPMENT WITH CLASS 1 BUILDING ONLY.



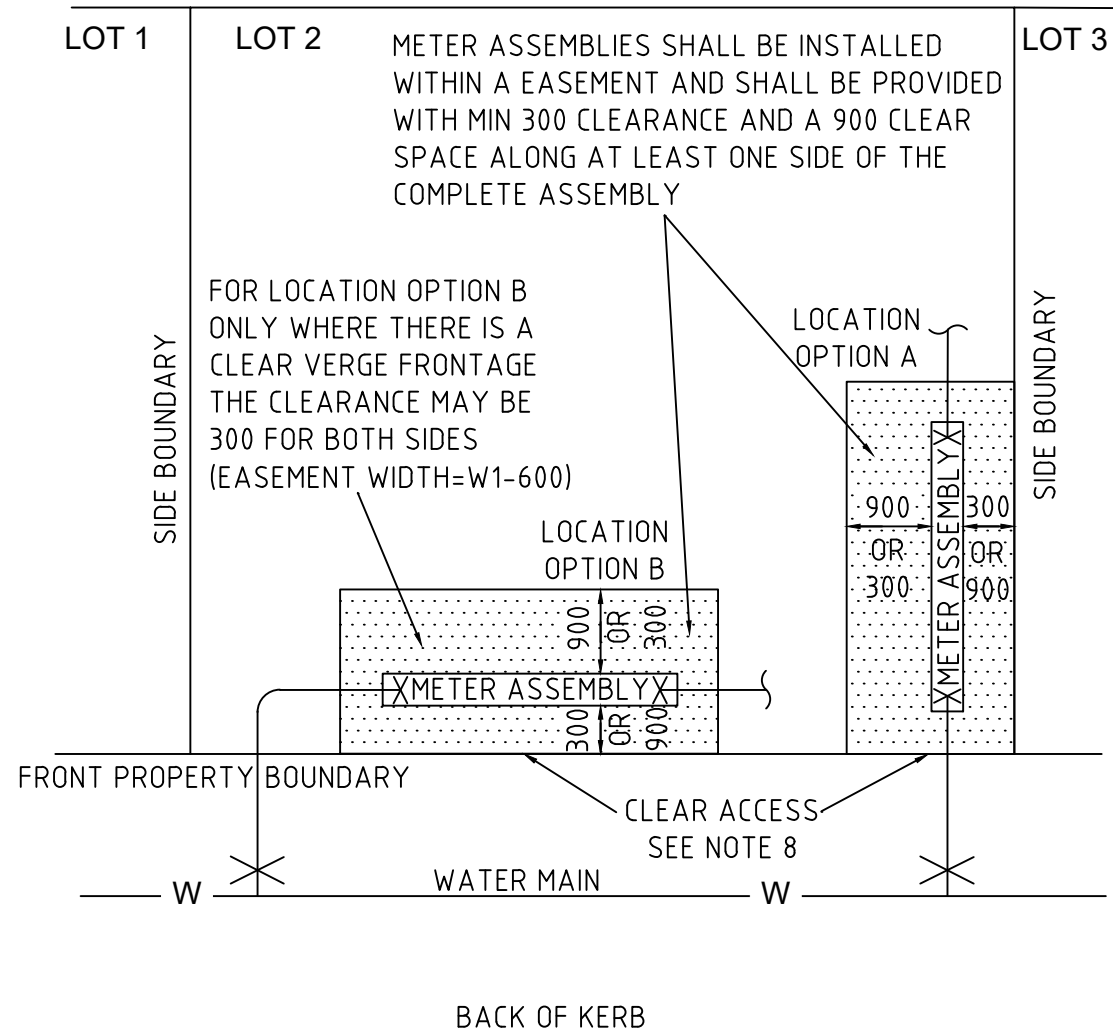
**OPTION 3**  
TYPE 1A ONLY. SEE NOTE 4.

**TYPE 2A ONLY.**  
DN100 AND LARGER METER ASSEMBLIES.



**OPTION 4**  
TYPE 2A ONLY.  
DN50 AND LARGER METER ASSEMBLIES.

**TYPICAL ARRANGEMENTS**



**TYPICAL EASEMENT AND METER ASSEMBLY LOCATIONS**  
(REFER DWG 11-154 AND 11-155 FOR EASEMENT DETAILS)

**NOTES**

1. REFER TO CITY OF GOLD COAST STD DWG No. 11-133 FOR MATERIAL AND INSTALLATION DETAILS AND COMPONENT LISTS.
2. REFER TO CITY OF GOLD COAST STD DWG No. 11-151 TO 11-153 FOR ABOVE GROUND METER ASSEMBLY DETAILS.
3. DN50 AND SMALLER OFF-TAKES FROM A METER ASSEMBLY SHALL USE A BLANK FLANGE THAT HAS BEEN BSP TAPPED TO SUIT THE OFF-TAKE SIZE.
4. DOMESTIC METER ASSEMBLY MAY SUPPLY FIRE SERVICE HOSE REELS.
5. DN50 OR SMALLER VERTICAL AND ABOVE GROUND PIPES SHALL BE COPPER WITH BRAZED JOINTS.
6. DN100 OR LARGER DI PIPES SHALL BE INSTALLED WITH FLANGE JOINTS.
7. TAPPING FERRULE OR READYTAP METHODS SHALL BE USED FOR DN50 OR SMALLER CONNECTIONS TO MAINS.
8. CLEAR EASEMENT ACCESS FROM FRONT BOUNDARY SHALL BE MAINTAINED AT ALL TIMES. EASEMENT SHALL BE LOCATED AWAY FROM TRAFFIC AND SHALL BE PROTECTED BY COUNCIL'S STANDARD METAL BOLLARDS WHERE CLOSE TO TRAFFIC e.g. CAR PARKS OR DRIVEWAYS.

MANAGING CONTRACTOR:	OFFICE LOCATION:	DESIGNED:	NOTE: DESIGN NOT TO BE AMENDED WITHOUT WATER AND WASTE ACCEPTANCE	DATUM:	PROJECT No:	CITY OF GOLD COAST WATER AND WASTE	<b>STANDARD DRAWING</b> ABOVE GROUND LARGE METER ARRANGEMENTS AND METER ASSEMBLY AND EASEMENT LOCATIONS	ORIGINAL ISSUE DATE: 31/01/2019
CONSULTING ENGINEER:	OFFICE LOCATION:	DRAWN: DL		SCALE: NOT TO SCALE	FILE REFERENCE:			SHEET OF A1
		CHECKED: NP		DO NOT SCALE, USE FIGURED DIMENSIONS ONLY	CAD FILE:	GCCC DRG No:	REV: A	
		APPROVED: DL		SURVEYED BY / DATE:		11-150		
		AW PM:		SURVEY CHECKED:				
		D PM:	A NOTE 8 UPDATED, NEW DRAWING REFERENCE.	DL 21/2/20				
			No. REVISION	APPROVED				