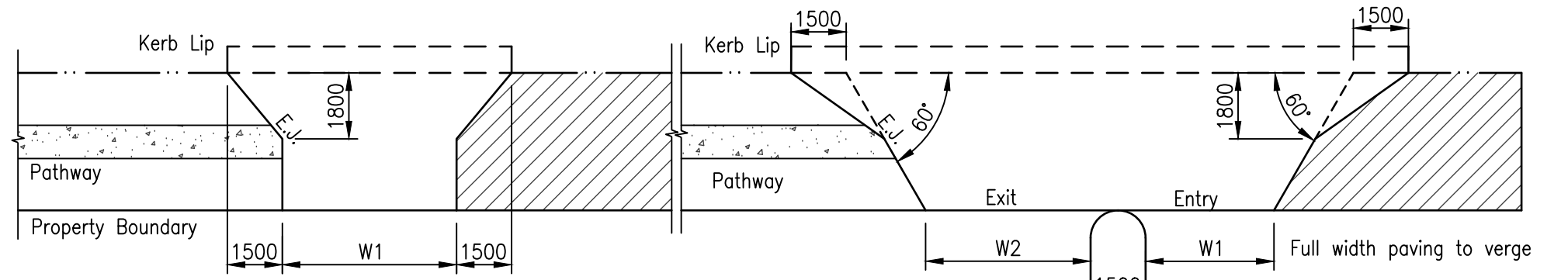
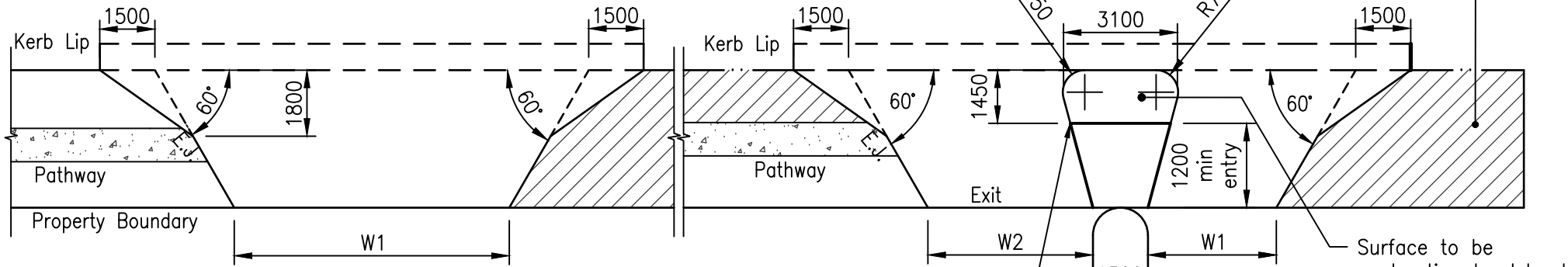


NOTES:

1. This drawing applies to industrial, commercial and multi unit residential domains.
2. Entrances and exits for off street parking to be designed in accordance with AS 2890 and Austroads – guide to Traffic management Part 11: Parking. Clause 6.1.
3. Driveways for Heavy Vehicles to be designed in accordance with AS 2890 Off Street Parking. Part 2 : Commercial Vehicle Facilities.
4. Adequate sight distances to be provided in accordance with AS 2890 Part 1: Off Street Carparking Figures 3.2 & 3.3.
5. Driveways inside property to be constructed square to the street alignment and wholly contained within the site frontage.
6. For water sensitive urban design verges, the profile of the vehicular crossing is to follow the existing verge profile.
7. Crossings to be located clear of existing gully pits. (min. 1m) Where this cannot be achieved, the gully pit and any connecting pipework shall be relocated at the property owners expense to the satisfaction of Council.
8. Proof roll Subgrade to 200 beyond concrete edge with 3 passes of a CC10 Roller (or equivalent). No deflection on last pass.
9. Plain concrete surfaces to be transverse heavy broom finished.
10. Decorative surfaces, where approved to have a 5mm max. depth variation in the finished surface profile.
11. Control joints are to be sealed with a low modulus self priming sealant to the manufacturers specification. Control joint spacing maximum 3m x 3m.
12. All surfaces subject to pedestrian traffic (including Vehicle Crossings) are to comply with note 30 on Standard Drawing RS-050.
13. Crossings to be located clear of water and sewer main fittings and manholes. Where a crossing increases or decreases the cover over a main then the standard cover will be reinstated. Minimum cover and treatment to other services is to be in accordance with the service authorities requirements.
14. All concrete construction to comply with the requirements of AS 3600. Concrete Code.
15. All concrete to be Grade N32 in accordance with AS 1379
16. All adjacent asphalt or concrete surfaces and pavements to be saw cut
17. Variations to the designs shown are subject to approval from relevant Council.
18. Refer RS-049 for crossing prohibited locations.
19. All appropriate permits must be obtained from Council, including approval of location and levels prior to excavation.
20. Where directed by Council Tactile Ground Surface Indicators are to be provided adjacent to the crossing in accordance to AS 1428.4.
21. Valves, hydrants located within the crossing shall have HDPE surround or equivalent placed between the service lid and the concrete. For any alterations to levels contact relevant Authority prior to concrete pour.
22. All dimensions are in millimetres unless shown otherwise.



GENERAL WIDE



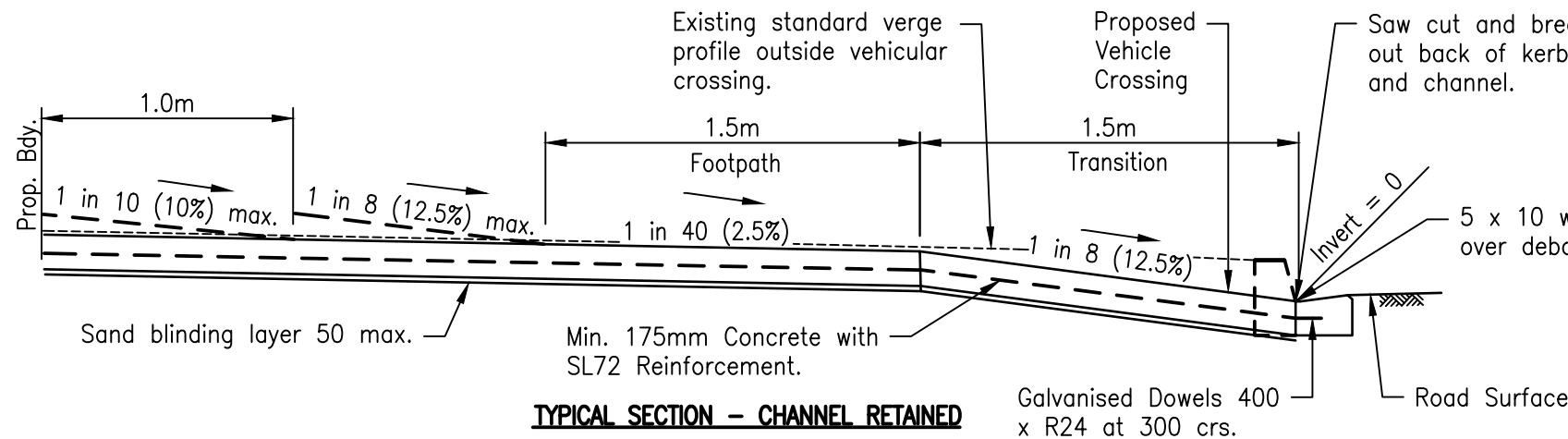
GENERAL WIDE FLAIED

CENTRE ISLAND

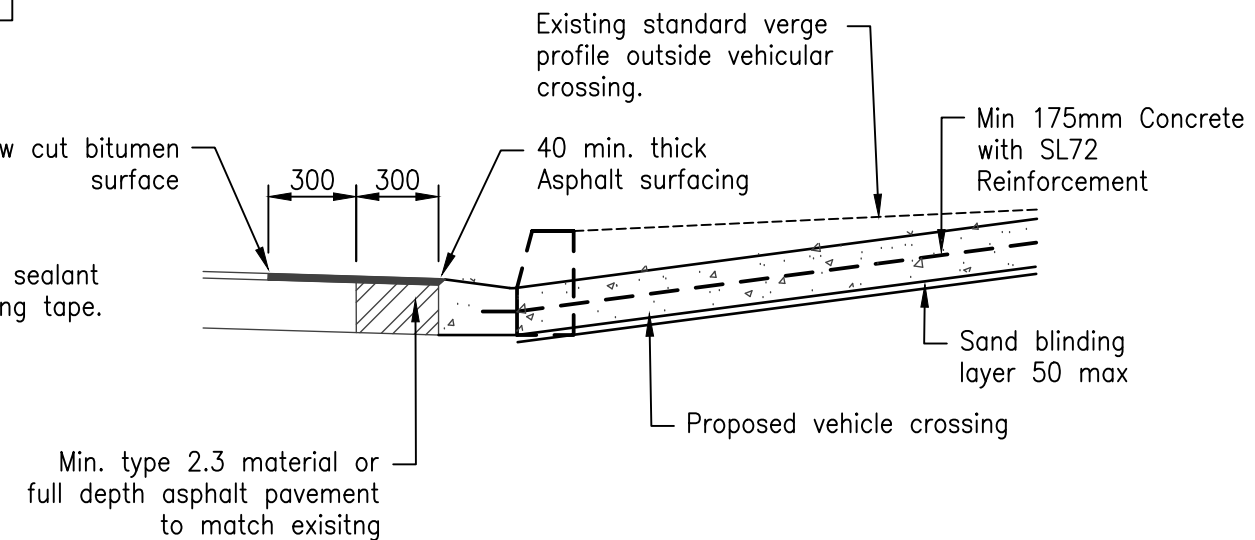
(LEFT IN / LEFT OUT ONLY)

VEHICLE CROSSING TYPES TO RELEVANT COUNCIL APPROVAL

-290	-250	-225	-188	0.0	Height above Invert of Channel (mm)
4.5	3.5	3.0	1.5	0.0	Distance from Invert of Channel (m)



TYPICAL SECTION – CHANNEL RETAINED



TYPICAL SECTION – CHANNEL REMOVED

These drawings have been developed in consultation between the participating Councils. BEFORE USE, the user shall confirm that the drawing has been adopted by the appropriate Council.

H	10/17	Review
G	06/16	Review
F	06/14	Review
E	03/14	Amended Drawing Number
D	12/11	Drawing number changed from SEQ RS-051 to RS-051
C	06/10	Review
Rv	DATE	REVISIONS
	03/09	ORIGINAL ISSUE



**INSTITUTE OF PUBLIC WORKS ENGINEERING AUSTRALASIA
STANDARD DRAWINGS**

**VEHICLE CROSSINGS
HEAVY DUTY**

RS-051

H
G
F
E
D
C
Rv