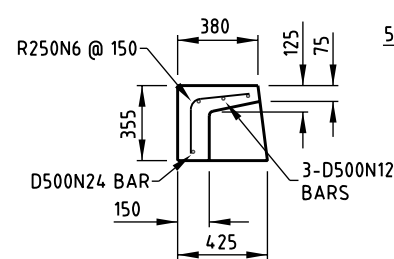
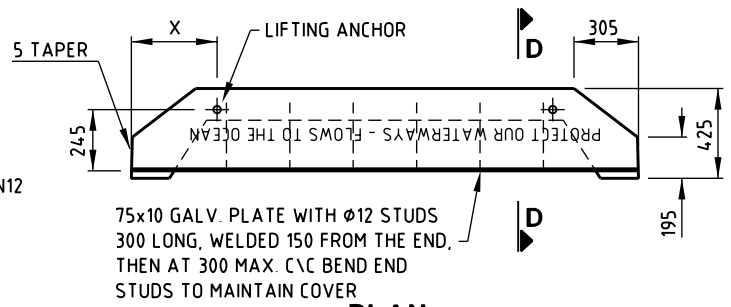


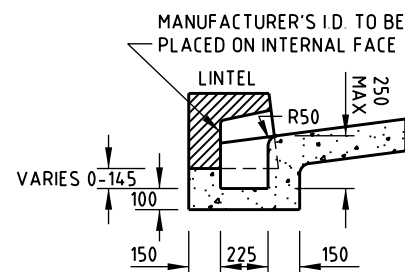
SECTION A-A



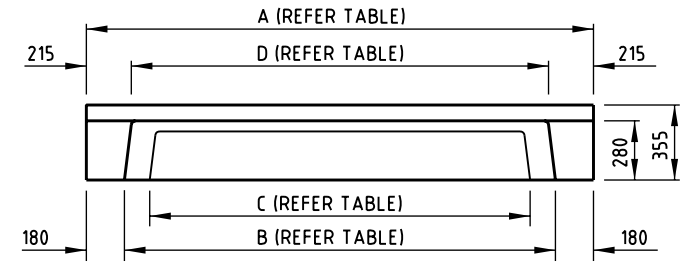
SECTION D-D



PLAN



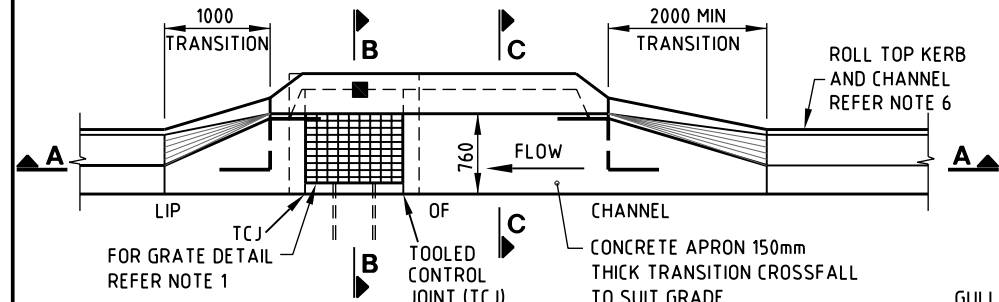
SECTION C-C



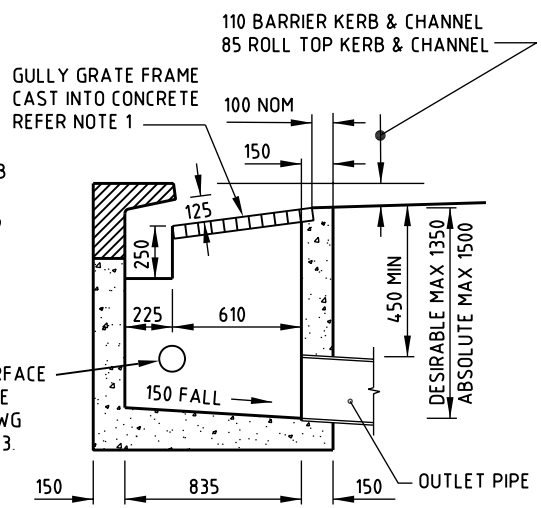
ELEVATION

TYPE	DIMENSION				
	A	B	C	D	X
SMALL (S)	2400	2040	1800	1970	400
MEDIUM (M)	3600	3240	3000	3170	690
LARGE (L)	4800	4440	4200	4370	1000

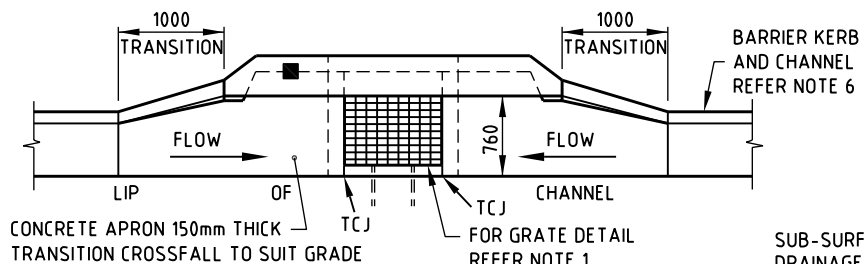
LINTEL TABLE



TYPICAL INLET ON GRADE (TYPE LG)



SECTION B-B



TYPICAL INLET IN SAG (TYPE LS)

■ LINTEL NOTE
 PROTECT OUR WATERWAYS - FLOWS TO THE OCEAN
 TEXT 40 HIGH - LETTERS IMPRINTED 5 INTO CONCRETE
 FACING FOOTPATH

NOTES

1. THE GULLY GRATE SHOWN IS TYPICAL ONLY. GRATES ARE TO COMPLY WITH COUNCIL'S STANDARD SPECIFICATION SS5.
2. CONCRETE IN PRECAST LINTELS TO BE GRADE N32.
3. CAST IN-SITU CONCRETE TO BE GRADE N25.
4. REINFORCING BARS TO AS/NZS 4671:2001 PLACED CENTRALLY, 40 MIN. END COVER.
5. LIFTING ANCHORS TO BE "SWIFTLIFT" OR EQUIVALENT 1.3 TONNE GALVANISED TO AS/NZS 4680 AND FITTED TO MANUFACTURERS SPECIFICATION.
6. KERB AND CHANNEL PROFILES SHOWN ARE TYPICAL ONLY. FOR ACTUAL PROFILES REFER G.C.C.C. STD. DWG. 05-02-102.
7. FOR DETAILS ON SUB-SURFACE DRAINAGE CONNECTIONS REFER G.C.C.C. STD. DWG. No. 05-02-103.
8. DIMENSIONS ARE IN MILLIMETRES UNLESS SHOWN OTHERWISE.



THIS DRAWING IS NOT TO BE AMENDED WITHOUT REFERENCE TO STANDARDS COMMITTEE		CONTROLLED DOCUMENT	DO NOT SCALE TAKE FIGURED DIMENSIONS ONLY
No.	AMENDMENT	APPROVED	DATE

DRAWN BY	TECHNICAL SERVICES BRANCH
PASSED	18/03/04
APPROVED	18/03/04

STANDARD DRAWING
SIDE INLET GULLY
CAST IN-SITU DETAILS
LIP IN LINE

MICROFILMED
STANDARD DRAWING No. 05-03-001
ISSUE 2005 EDITION