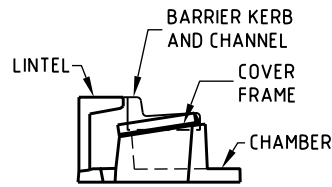
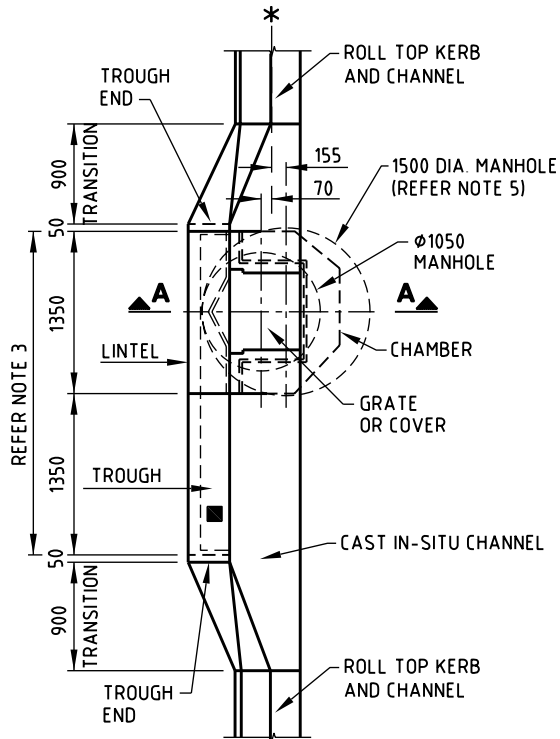


**SECTION A-A**

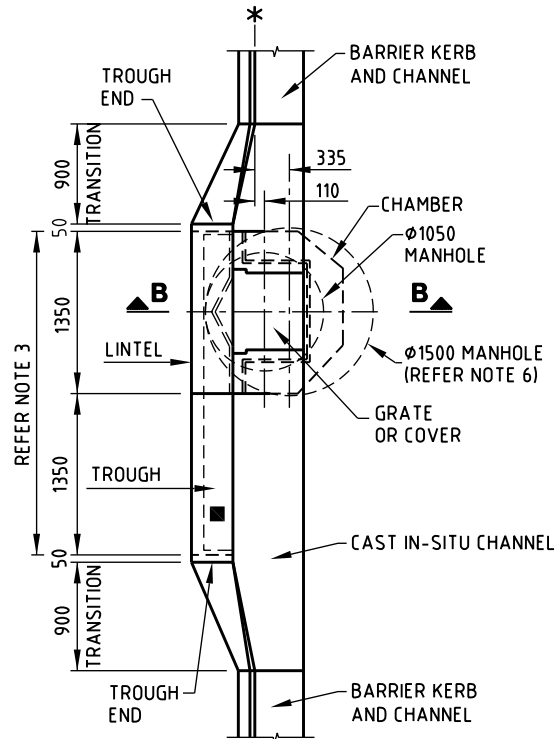


**SECTION B-B**



**PLAN**

**TYPICAL ROLL TOP KERB AND CHANNEL**



**PLAN**

**TYPICAL BARRIER KERB AND CHANNEL**

\* NOMINAL KERB LINE

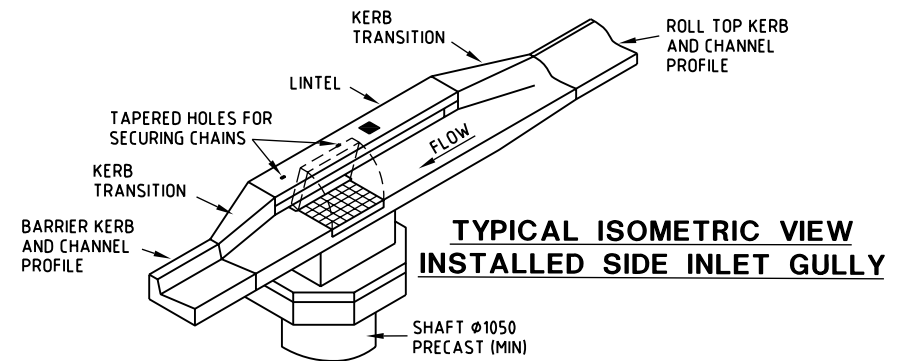
**■ LINTEL NOTE**  
 PROTECT OUR WATERWAYS - FLOWS TO THE OCEAN  
 TEXT 40 HIGH - LETTERS IMPRINTED 5 INTO CONCRETE  
 FACING FOOTPATH

SYSTEM	No SHAFT	SHAFT H 450	SHAFT H 600	SHAFT H 900	SHAFT H 1200
	0TCS0	0TCS4.5	0TCS6	0TCS9	0TCS12
	1TCS0	1TCS4.5	1TCS6	1TCS9	1TCS12
	2TCS0	2TCS4.5	2TCS6	2TCS9	2TCS12
	3TCS0	3TCS4.5	3TCS6	3TCS9	3TCS12
	4TCS0	4TCS4.5	4TCS6	4TCS9	4TCS12

**SYSTEM TERMINOLOGY**

**NOTES**

- ALL COMPONENTS TO BE PROPRIETARY PRODUCTS APPROVED BY COUNCIL.
- INLET COVERS AND GRATES ARE TO COMPLY WITH COUNCILS STANDARD SPECIFICATION SS5.
- TOTAL LENGTH OF LINTEL VARIES DEPENDENT ON THE INLET CAPACITY REQUIREMENTS.
- STORMWATER PIPES PARALLEL TO KERB AND CHANNEL ARE TO BE LOCATED NO CLOSER TO THE FOOTPATH VERGE THAN THE BACK OF KERB.
- AN APPROVED MANHOLE CONVERTER SLAB TO BE USED UNDER THE CHAMBER FOR MANHOLE SHAFT DIAMETERS LARGER THAN 1050mm.
- FOR COMPONENT DETAILS REFER G.C.C.C. STD. DWG. No. 05-03-004.
- DIMENSIONS ARE IN MILLIMETRES UNLESS SHOWN OTHERWISE.



**TYPICAL ISOMETRIC VIEW INSTALLED SIDE INLET GULLY**



**Gold Coast City Council**

GOLD COAST CITY COUNCIL  
 PO BOX 5042  
 GOLD COAST MC 9729

THIS DRAWING IS NOT TO BE AMENDED WITHOUT REFERENCE TO STANDARDS COMMITTEE		CONTROLLED DOCUMENT	
No.	AMENDMENT	APPROVED	ISSUED

DO NOT SCALE TAKE FIGURED DIMENSIONS ONLY	
DRAWN BY	TECHNICAL SERVICES BRANCH
PASSED	18/03/04
APPROVED	18/03/04

<b>STANDARD DRAWING</b>
<b>PRECAST STORMWATER INLET SIDE INLET GULLY - LIP IN LINE CONSTRUCTION DETAILS</b>

MICROFILMED
STANDARD DRAWING No. <b>05-03-003</b>
ISSUE 2005 EDITION