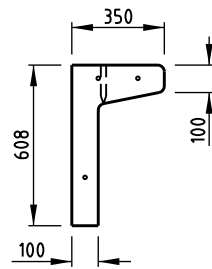
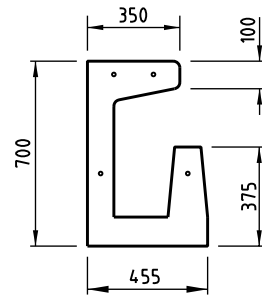


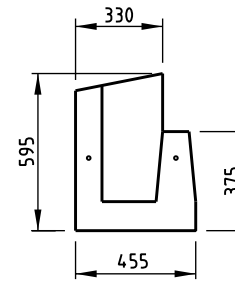
SECTION A-A



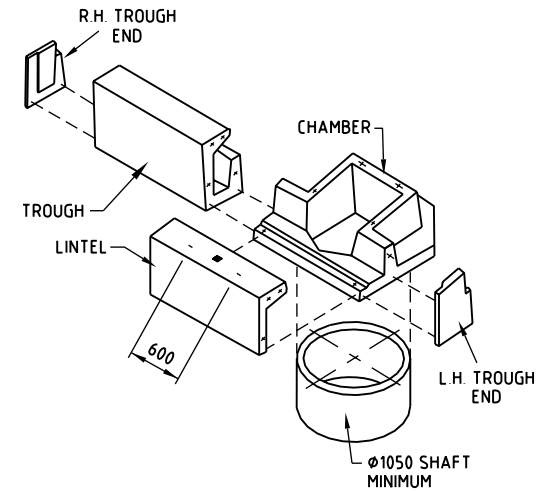
LINTEL DETAIL
1.35m LONG



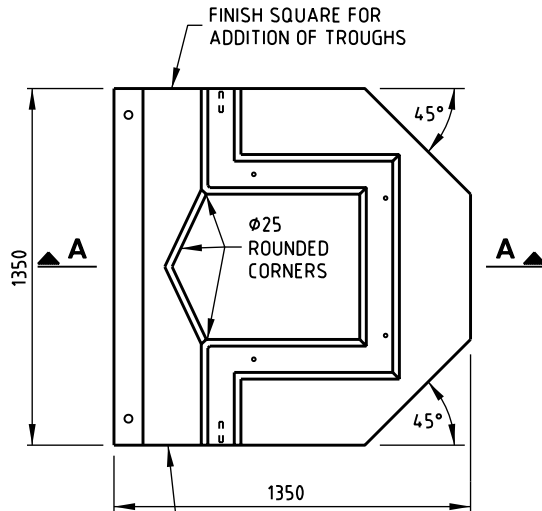
TROUGH DETAIL
1.35m LONG



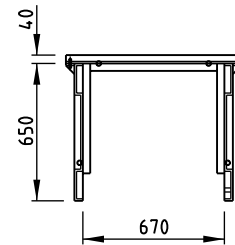
TROUGH END



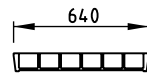
EXPLODED VIEW OF COMPONENTS



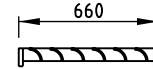
PLAN CHAMBER DETAIL



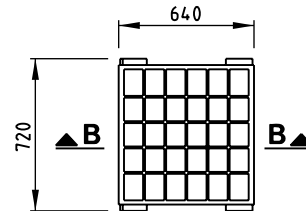
PLAN COVER FRAME



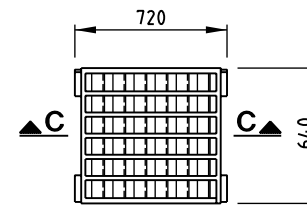
SECTION B-B



SECTION C-C



PLAN CONCRETE INFILL COVER



PLAN INLET GRATE

COVER DETAILS

NOTES:

1. ALL PRECAST COMPONENTS ARE TO BE PROPRIETARY PRODUCTS APPROVED BY COUNCIL.
2. THE INLET COVERS SHOWN ARE TYPICAL ONLY. COVERS AND GRATES ARE TO COMPLY WITH COUNCIL STANDARD SPECIFICATIONS SSS.
3. MINIMUM CONCRETE CHARACTERISTIC COMPRESSIVE STRENGTH OF PRECAST COMPONENTS TO BE 35MPa.
4. ALTERNATIVE ARRANGEMENTS FOR VARIOUS COMPONENTS MAY BE APPROVED SUBJECT TO PROPRIETARY DRAWINGS BEING APPROVED BY COUNCIL.
5. FOR CONSTRUCTION DETAILS, REFER TO G.C.C.C. STD. DWG. No. 05-03-003.
6. DIMENSIONS ARE IN MILLIMETRES UNLESS SHOWN OTHERWISE.

LINTEL NOTE

PROTECT OUR WATERWAYS - FLOWS TO THE OCEAN
TEXT 40 HIGH - LETTERS IMPRINTED 5 INTO CONCRETE
FACING FOOTPATH



Gold Coast City Council
GOLD COAST CITY COUNCIL
P.O. BOX 5042
GOLD COAST MC 9729

THIS DRAWING IS NOT TO BE AMENDED WITHOUT REFERENCE TO STANDARDS COMMITTEE

No.	AMENDMENT	APPROVED	DATE	ISSUED

CONTROLLED DOCUMENT

DO NOT SCALE
TAKE FIGURED DIMENSIONS ONLY

DRAWN BY	TECHNICAL SERVICES BRANCH
PASSED	<i>[Signature]</i> 18/03/04
APPROVED	<i>[Signature]</i> 18/03/04

STANDARD DRAWING

**PRECAST CONCRETE
SIDE INLET GULLY
COMPONENTS**

MICROFILMED

STANDARD DRAWING No.
05-03-004

ISSUE
2005 EDITION