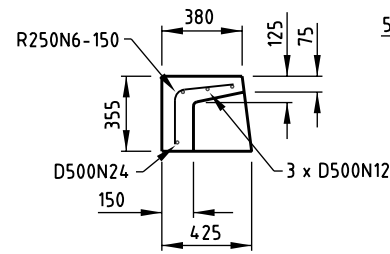
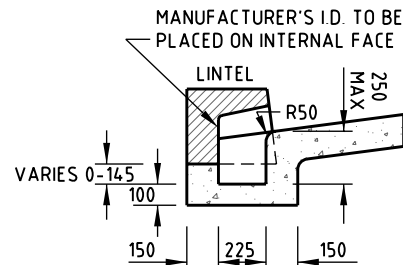


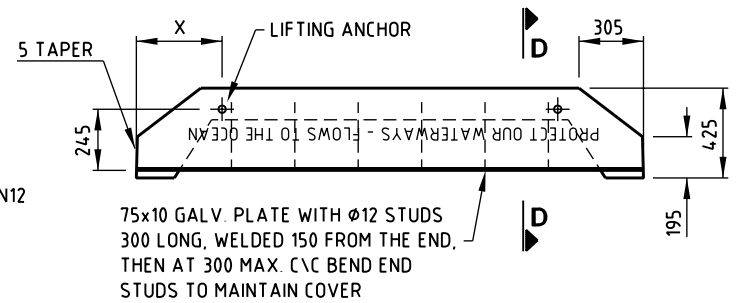
SECTION A-A



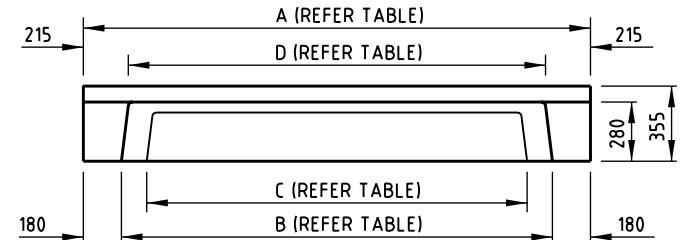
SECTION D-D



SECTION C-C



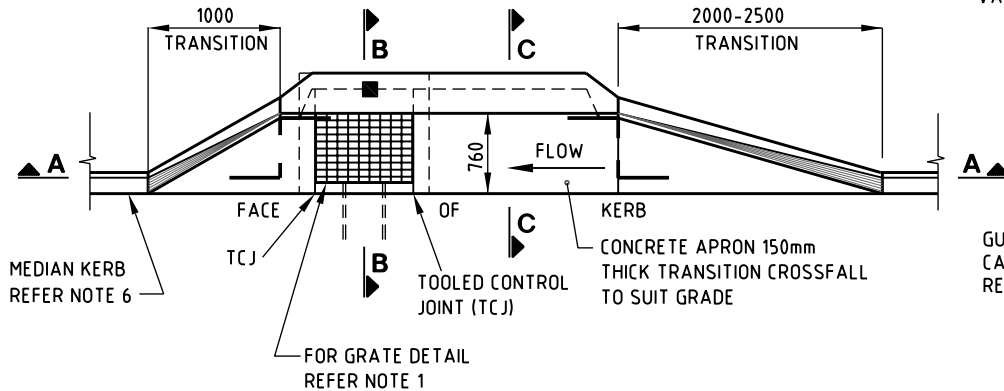
PLAN



ELEVATION

TYPE	DIMENSIONS				
	A	B	C	D	X
SMALL (S)	2400	2040	1800	1970	400

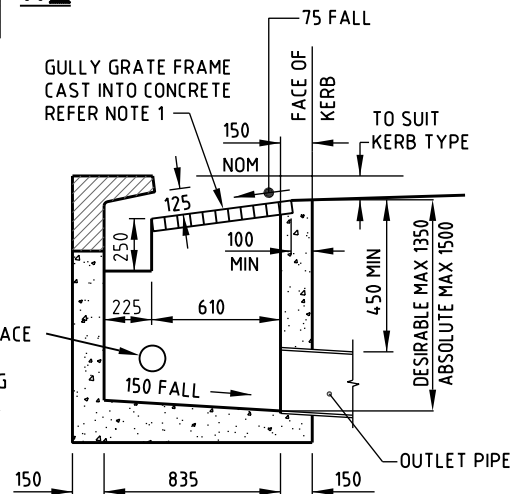
LINTEL TABLE



PLAN TYPICAL MEDIAN GULLY (TYPE M)

LINTEL NOTE

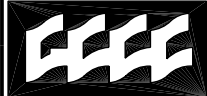
PROTECT OUR WATERWAYS - FLOWS TO THE OCEAN
TEXT 4.0 HIGH - LETTERS IMPRINTED 5 INTO CONCRETE
FACING FOOTPATH



SECTION B-B

NOTES

1. THE GULLY GRATE SHOWN IS TYPICAL ONLY. GRATES TO COMPLY WITH COUNCIL'S STANDARD SPECIFICATION SSS.
2. CONCRETE IN PRECAST LINTELS TO BE GRADE N32.
3. CAST IN-SITU CONCRETE TO BE GRADE N25.
4. REINFORCING BARS TO AS/NZS 4671:2001 PLACED CENTRALLY, 40 MIN. END COVER.
5. LIFTING ANCHORS TO BE "SWIFTLIFT" OR EQUIVALENT 1.3 TONNE GALVANISED TO AS/NZS 4680 AND FITTED TO MANUFACTURERS SPECIFICATION.
6. MEDIAN KERB PROFILES SHOWN ARE TYPICAL ONLY. ACTUAL PROFILES REFER GCCC STD DWG 05-02-102.
7. FOR DETAILS ON SUB-SURFACE DRAINAGE CONNECTIONS REFER GCCC STD DWG 05-02-103.
8. DIMENSIONS ARE IN MILLIMETRES UNLESS SHOWN OTHERWISE.



Gold Coast City Council
GOLD COAST CITY COUNCIL
PO BOX 5042
GOLD COAST MC 9729

THIS DRAWING IS NOT TO BE AMENDED WITHOUT REFERENCE TO STANDARDS COMMITTEE

CONTROLLED DOCUMENT

DO NOT SCALE
TAKE FIGURED DIMENSIONS ONLY

STANDARD DRAWING

MICROFILMED

DRAWN BY	TECHNICAL SERVICES BRANCH
PASSED	18/03/04
APPROVED	18/03/04

**MEDIAN GULLY
CAST IN-SITU DETAILS**

STANDARD DRAWING No.
05-03-007

ISSUE
2005 EDITION

No.	AMENDMENT	APPROVED	DATE	ISSUED