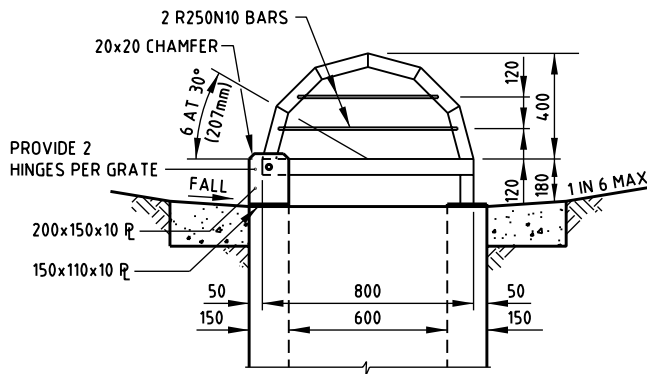
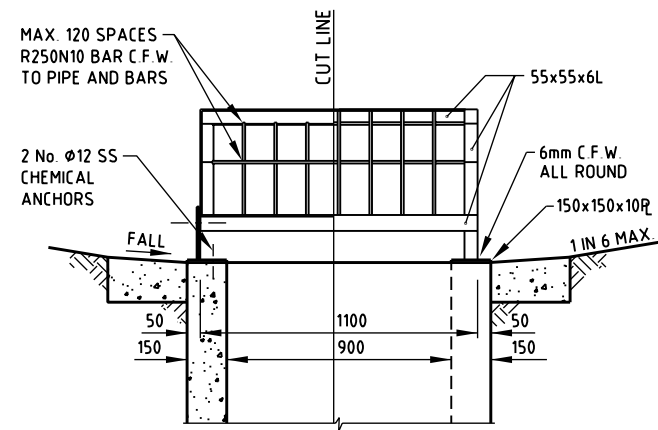


SECTION A-A



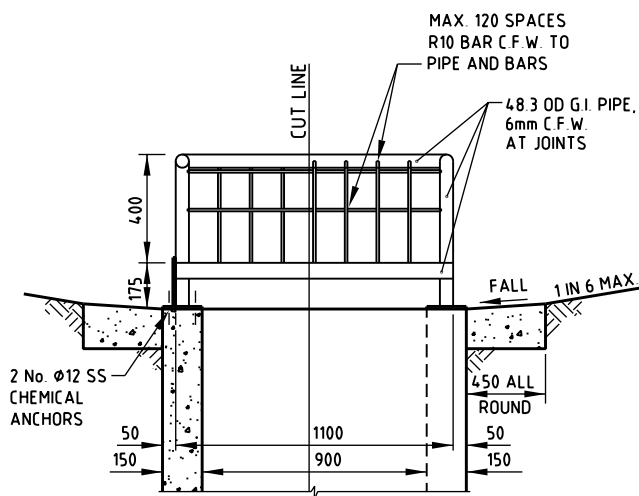
SECTION A-A



SECTION B-B

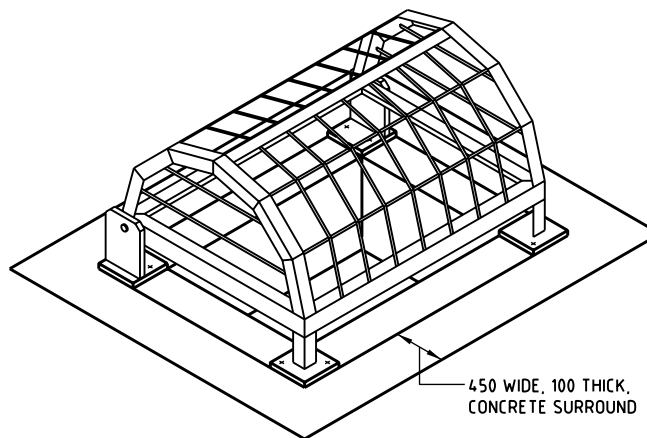
NOTES:

1. CONCRETE TO BE GRADE N25.
2. GRATE AND HINGES TO BE HOT DIPPED GALVANISED TO AS/NZS 4680 AFTER FABRICATION.
3. THE ISOMETRIC VIEW IS SIMILAR IN TYPE 1 AND TYPE 2.
4. PIPE INVERT LEVELS AS PER DRAINAGE DETAILS.
5. DIMENSIONS ARE IN MILLIMETRES UNLESS SHOWN OTHERWISE.

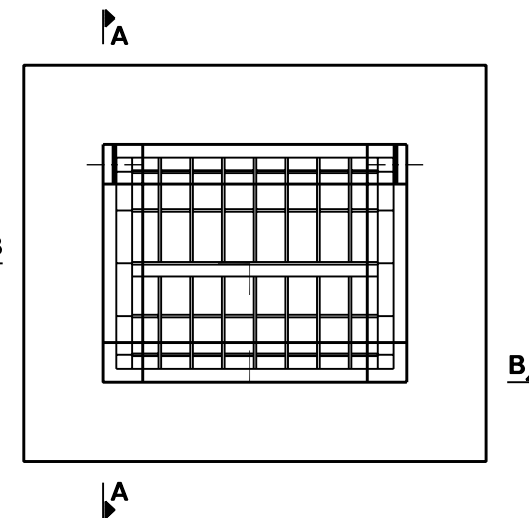


SECTION B-B

TYPE 1 - PIPE CONSTRUCTION



ISOMETRIC VIEW



PLAN

TYPE 2 - ANGLE CONSTRUCTION



Gold Coast City Council
GOLD COAST CITY COUNCIL
PO BOX 3042
GOLD COAST MC 9729

THIS DRAWING IS NOT TO BE AMENDED WITHOUT REFERENCE TO STANDARDS COMMITTEE

CONTROLLED DOCUMENT

DO NOT SCALE TAKE FIGURED DIMENSIONS ONLY

STANDARD DRAWING

MICROFILMED

DRAWN BY
TECHNICAL SERVICES BRANCH
PASSED *[Signature]* 18/03/04
APPROVED *[Signature]* 18/03/04

**FIELD INLET PIT
DOME TOP COVER**

STANDARD DRAWING No.
05-03-009
ISSUE
2005 EDITION

No.	AMENDMENT	APPROVED	DATE	ISSUED