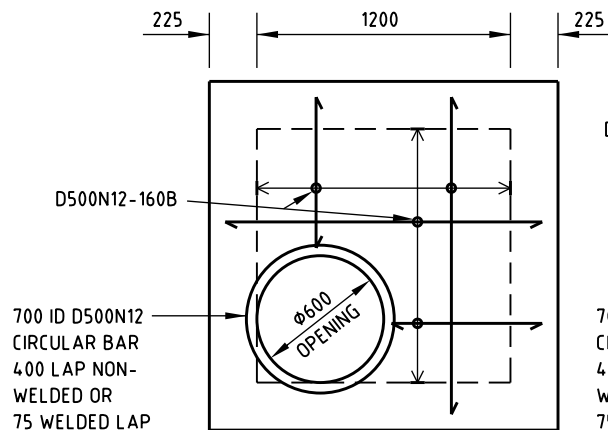


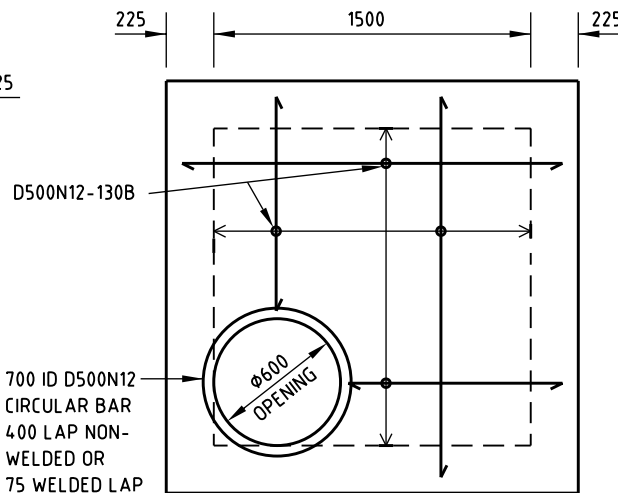
**TYPICAL SECTION**

**NOTES**

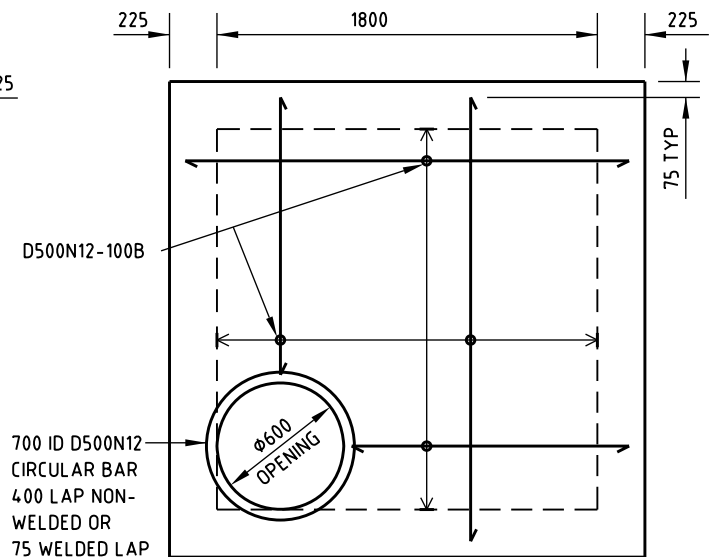
1. THE MANHOLE COVER AND FRAME IS TYPICAL ONLY. COVERS AND FRAMES SHALL COMPLY WITH COUNCIL'S STANDARD SPECIFICATION SS5.
2. ALL CONCRETE WALLS AND FLOOR TO BE GRADE N25 ALL ROOF SLABS TO BE GRADE N40 IN ACCORDANCE WITH AS 1379 AND AS 3600.
3. ALL REINFORCING BARS IN THE TOP SLAB SHALL BE PLACED WITH 40 COVER TO THE UNDERSIDE OF THE SLAB.
4. UNLESS NOTED OTHERWISE ALL REINFORCING BARS SHALL BE HOOKED AT EACH END AND CONFORM WITH AS/NZS 4671:2001.
5. ROOF SLAB DESIGN BASED ON AUSTRROADS BRIDGE CODE W7.
6. PRECAST PROPRIETARY MANHOLE COMPONENTS APPROVED BY COUNCIL MAY BE USED.
7. ASPHALT THICKNESS TO MATCH NOMINATED PAVEMENT DESIGN.
8. MINIMUM 30 LONGITUDINAL FALL THROUGH MANHOLE.
9. ADDITIONAL SEEPAGE DRAIN OUTLETS TO BE PROVIDED IN WATER CHARGED GROUND AS DIRECTED BY THE SUPERINTENDENT.
10. SANDBAGS MAY BE USED FOR EXTERNAL WALLS ONLY AS APPROVED BY THE SUPERINTENDENT.
11. REFER G.C.C.C. DWG. No. 05-03-101 FOR MANHOLE COVER AND FRAME DETAILS.
12. MANHOLES DEEPER THAN 2500 REQUIRE INDIVIDUAL DESIGN AND CERTIFICATION.
13. DIMENSIONS ARE IN MILLIMETRES UNLESS SHOWN OTHERWISE.



**1200 SQUARE**  
200 THICK SLAB



**1500 SQUARE**  
200 THICK SLAB



**1800 SQUARE**  
225 THICK SLAB



Gold Coast City Council

GOLD COAST CITY COUNCIL  
PO BOX 5042  
GOLD COAST MC 9729

THIS DRAWING IS NOT TO BE AMENDED WITHOUT REFERENCE TO STANDARDS COMMITTEE

CONTROLLED DOCUMENT

DO NOT SCALE TAKE FIGURED DIMENSIONS ONLY

STANDARD DRAWING

MICROFILMED

No.	AMENDMENT	APPROVED	DATE	ISSUED

DRAWN BY	TECHNICAL SERVICES BRANCH
PASSED	18/03/04
APPROVED	18/03/04

**STORMWATER MANHOLES**  
**1200, 1500 AND 1800 SQUARE**

STANDARD DRAWING No.

**05-03-104**

ISSUE

2005 EDITION