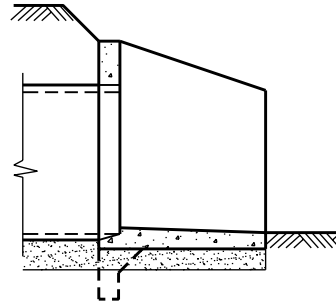
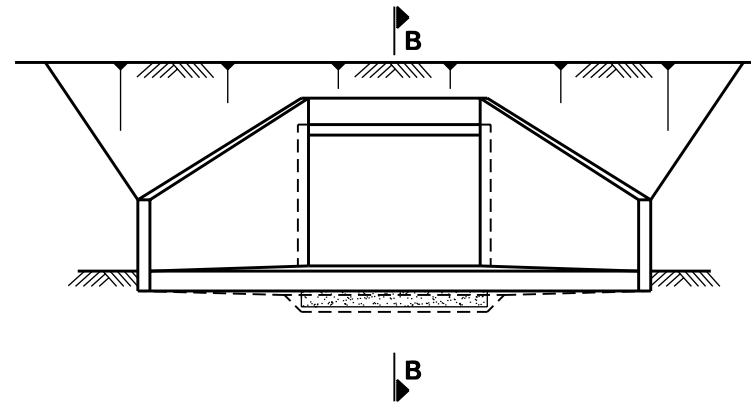


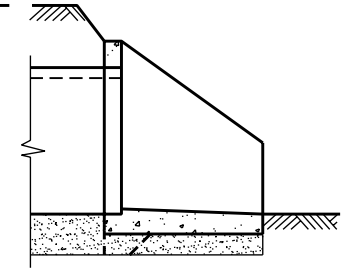
ELEVATION



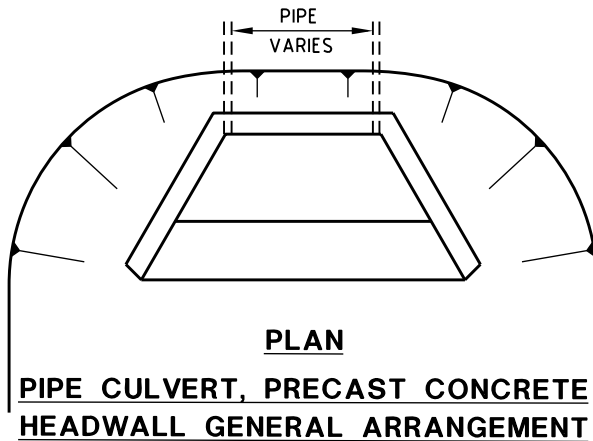
SECTION A-A



ELEVATION

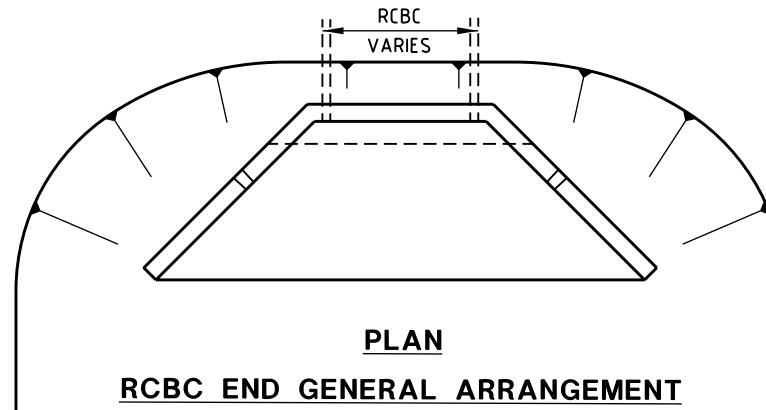


SECTION B-B



PLAN

PIPE CULVERT, PRECAST CONCRETE HEADWALL GENERAL ARRANGEMENT




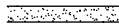

PLAN

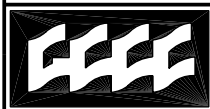
RCBC END GENERAL ARRANGEMENT

NOTES:

1. PRECAST HEADWALLS SHALL BE PROPRIETARY PRODUCTS APPROVED BY COUNCIL.
2. IN FILL LOCATIONS PRIOR TO PLACING THE BED ZONE MATERIAL THE FILL SHALL BE COMPACTED TO THE STANDARD SPECIFIED IN SPECIFICATION SS5.
3. THE BED ZONE MATERIAL UNDER THE PIPE SHALL BE CONTINUED TO THE END OF THE HEADWALL APRON; MINIMUM THICKNESS 50mm.
4. TRANSITION UNIFORMLY FROM CONCRETE APRON TO OPEN CHANNEL OVER 5m TO 10m.
5. PROVIDE DOWNSTREAM SILTATION DEVICES AND/OR ROCK SCOUR PROTECTION AS DIRECTED BY THE SUPERINTENDENT.
6. FOR ENDS TO PIPE CULVERTS REFER TO MAIN ROADS STANDARD DRAWING Nos.1304, 1305, AND 1306.
7. FOR RCBC ENDS AND BASE SLAB DETAILS REFER TO MAIN ROADS STANDARD DRAWING Nos. 1174, 1303, 1316, 1317, 1318, 1319, AND 1320.
8. ALL PIPE AND RCBC ENDS SHALL HAVE HEADWALLS WINGWALLS AND APRONS.
9. ALL HEADWALLS TO HAVE FENCING WHERE VERTICAL DROP EXCEEDS 900mm.

LEGEND

-  FINISHED SURFACE LEVEL
-  PIPE BED ZONE LAYER
-  BATTER



Gold Coast City Council

GOLD COAST CITY COUNCIL
PO BOX 5042
GOLD COAST MC 9729

THIS DRAWING IS NOT TO BE AMENDED WITHOUT REFERENCE TO STANDARDS COMMITTEE					CONTROLLED DOCUMENT
No.	AMENDMENT	APPROVED	DATE	ISSUED	

DO NOT SCALE TAKE FIGURED DIMENSIONS ONLY	
DRAWN BY	TECHNICAL SERVICES BRANCH
PASSED	18/03/04
APPROVED	18/03/04

STANDARD DRAWING
CONCRETE HEADWALL GENERAL ARRANGEMENT

MICROFILMED
STANDARD DRAWING No. 05-03-202
ISSUE 2005 EDITION