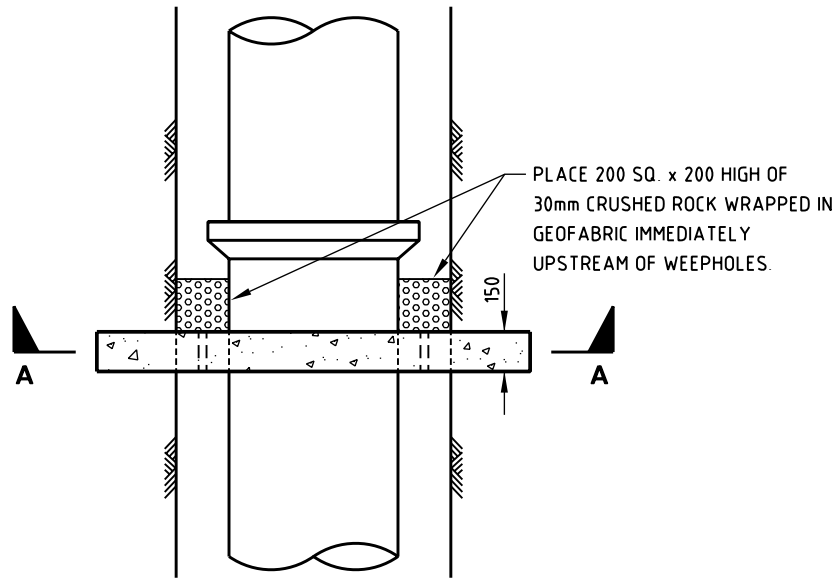
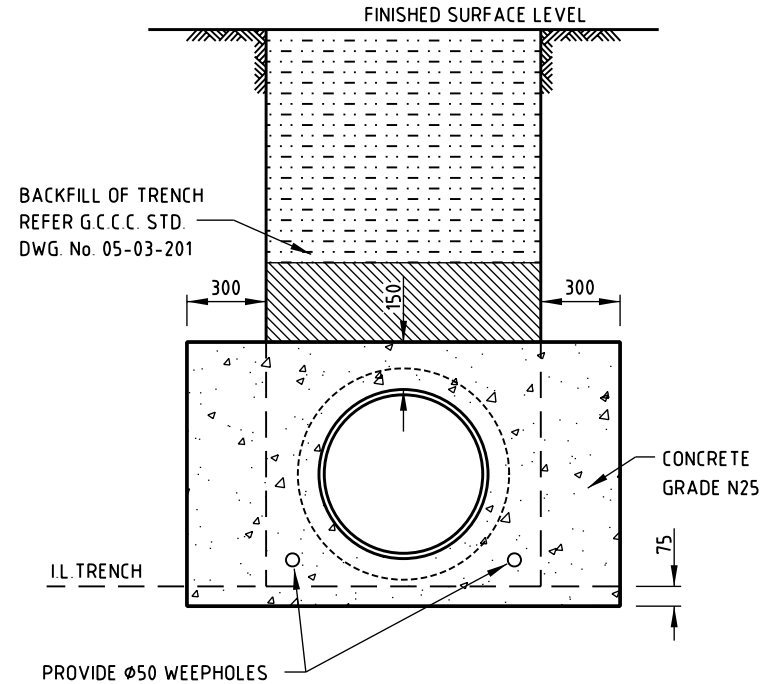


NOTES:

1. CONCRETE BULKHEADS TO BE LOCATED AT MAXIMUM INTERVALS OF 10m WHERE PIPE GRADES EXCEED 15%.
2. WHERE SPECIFIED SCOUR BULKHEADS TO EXTEND TO THE TOP OF THE TRENCH.
3. DIMENSIONS ARE IN MILLIMETRES UNLESS SHOWN OTHERWISE.



PLAN



SECTION A-A



Gold Coast City Council

GOLD COAST CITY COUNCIL
PO BOX 5042
GOLD COAST MC 9729

THIS DRAWING IS NOT TO BE AMENDED WITHOUT REFERENCE TO STANDARDS COMMITTEE

CONTROLLED DOCUMENT

DO NOT SCALE
TAKE FIGURED DIMENSIONS ONLY

STANDARD DRAWING

MICROFILMED

DRAWN BY
TECHNICAL SERVICES BRANCH

PASSED *[Signature]* 18/03/04

APPROVED *[Signature]* 18/03/04

SCOUR PROTECTION BULKHEAD

STANDARD DRAWING No.
05-03-203

ISSUE
2005 EDITION

No.	AMENDMENT	APPROVED	DATE	ISSUED