

NOTES:

- WORKMANSHIP & MATERIALS TO BE IN ACCORDANCE WITH AS4100 & OTHER RELEVANT AUSTRALIAN STANDARDS.
- THE PIPE STEEL TO BE GRADE 350, ALL OTHER STEEL INCLUDING FLATS & PLATE TO BE AT LEAST GRADE 250.
- WELDING & PREPARATION TO BE IN ACCORDANCE WITH AS1554.1 CATEGORY SP GRADE E48XX & AS4100.
- ALL WELDING TO BE 6mm CONTINUOUS FILLET WELD.
- ALL WELDS TO BE WELL CLEANED & PAINTED IN ACCORDANCE WITH AS2312
- ALL POSTS TO BE SET VERTICALLY & ACCURATELY ALIGNED IN CONCRETE GRADE N25.
- ALL GALVANISING TO BE IN ACCORDANCE WITH AS4680.
- END POSTS TO BE 100 DIA
- DIMENSIONS ARE IN MILLIMETRES UNLESS STATED OTHERWISE.

END POST SPECIFICATIONS:

END POSTS FOR CONTINUOUS RAIL FENCING SHOULD BE 114.3mm OD, BUTT WELDED WITH 750mm FOOTING.

WIRE STRAND FENCE ATTACHMENT TO CONTINUOUS RAIL FENCE PANEL:

WHEN ATTACHING WIRE OR BRAIDED CABLE FENCING DIRECTLY TO GATE, OR A GATE AND ONE STANDARD FENCE PANEL, A STAY IS REQUIRED. (SEE GCCC STD DWG No. 05-603). FOR TWO OR MORE STANDARD FENCE PANELS NO STAY IS REQUIRED.

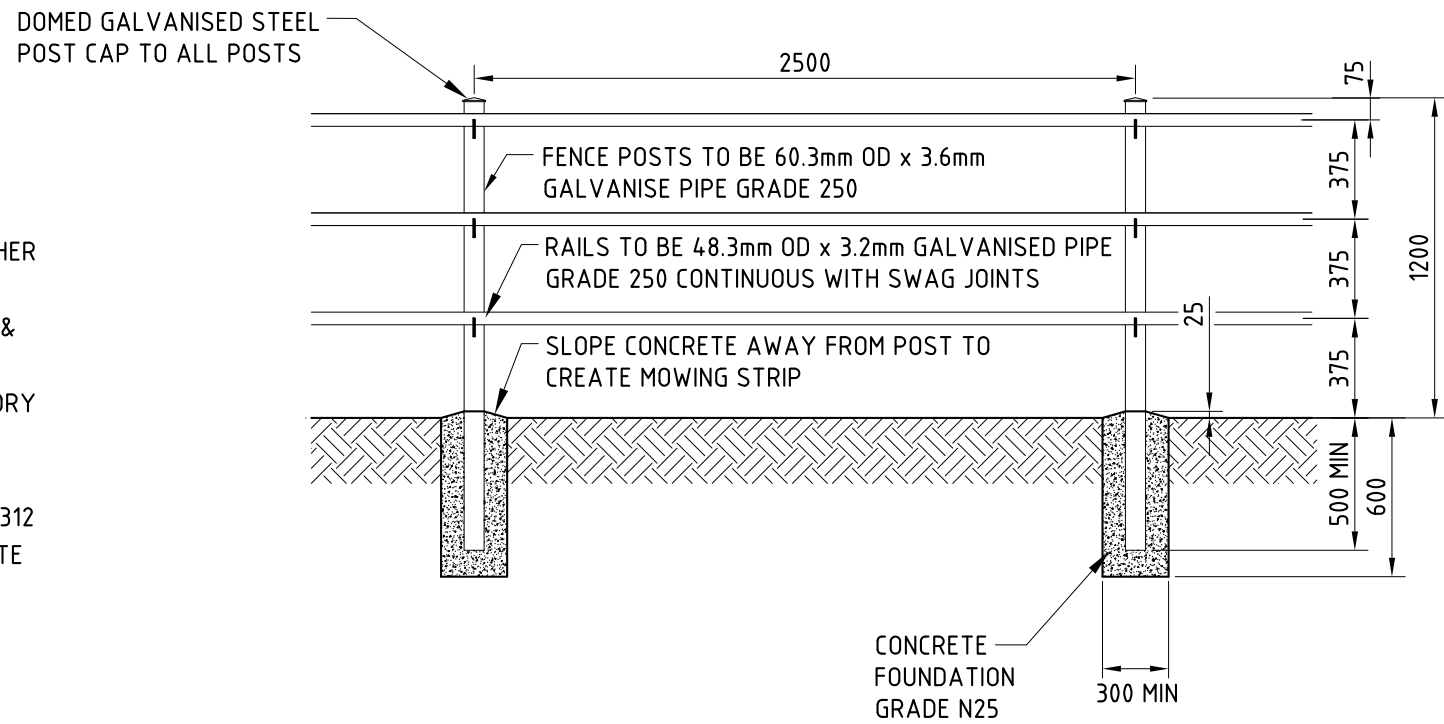
STRAINING POSTS FOR WIRE FENCE JOINING A CONTINUOUS RAIL FENCE SHOULD BE 114.3mm OD, BUTT WELDED WITH 750mm FOOTING.

ACCESS TO CONSTRUCTION AREA:

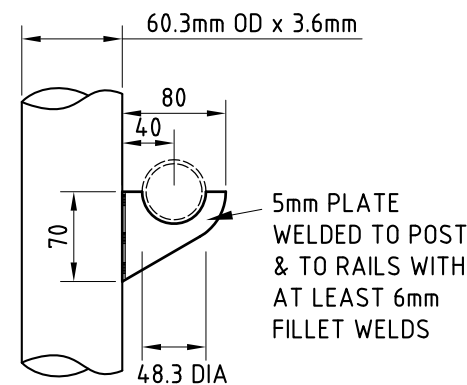
ACCESS TO THE SITE MAY REQUIRE 4 WHEEL DRIVE VEHICLES ONLY. SOME SITES MAY REQUIRE THE NEED TO WALK MATERIALS IN FOR A SHORT DISTANCE.

TERRAIN:

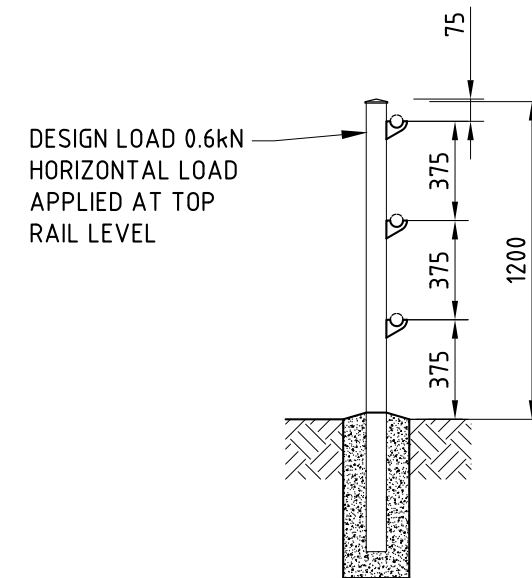
SOME SITES WILL NOT BE ON A FLAT SURFACE. TOPOGRAPHY, TERRAIN AND DIGGING CONDITIONS ARE VARIABLE.



TYPICAL SECTION



RAIL SUPPORT BRACKET



POST ELEVATION

Gold Coast City Council
GOLD COAST CITY COUNCIL
PO BOX 5042
GOLD COAST MC 9729

THIS DRAWING IS NOT TO BE AMENDED WITHOUT REFERENCE TO STANDARDS COMMITTEE				CONTROLLED DOCUMENT
No.	AMENDMENT	APPROVED	DATE	ISSUED

DO NOT SCALE TAKE FIGURED DIMENSIONS ONLY	
DRAFTING BY TECHNICAL SERVICES BRANCH	
PASSED - COORDINATOR OPEN SPACE ASSETS	
SIGNED:	
NAME: CAMERON TAYLOR	DATE: 6/12/12
APPROVED - MANAGER PARKS & RECREATIONAL SERVICES	
SIGNED:	
NAME: RON JACOBS	DATE: 6/12/12

STANDARD DRAWING

**CONTINUOUS RAIL BARRIER FENCE
TYPE 1**

MICROFILMED
STANDARD DRAWING No. 13-05-604
ISSUE 2013 EDITION