

NOTES:

- WORKMANSHIP & MATERIALS TO BE IN ACCORDANCE WITH AS4100 & OTHER RELEVANT AUSTRALIAN STANDARDS.
- THE PIPE STEEL TO BE GRADE 350, ALL OTHER STEEL INCLUDING FLATS & PLATE TO BE AT LEAST GRADE 250.
- WELDING & PREPARATION TO BE IN ACCORDANCE WITH AS1554.1 CATEGORY SP GRADE E48XX & AS4100.
- ALL WELDING TO BE 6mm CONTINUOUS FILLET WELD.
- ALL WELDS TO BE WELL CLEANED & PAINTED IN ACCORDANCE WITH AS2312 CLAUSE 10.5.
- ALL POSTS TO BE SET VERTICALLY & ACCURATELY ALIGNED IN CONCRETE GRADE N25.
- ALL GALVANISING TO BE IN ACCORDANCE WITH AS/NZS 4680.
- DIMENSIONS ARE IN MILLIMETRES UNLESS STATED OTHERWISE.

PAD FOR HORSE STEP THROUGH:

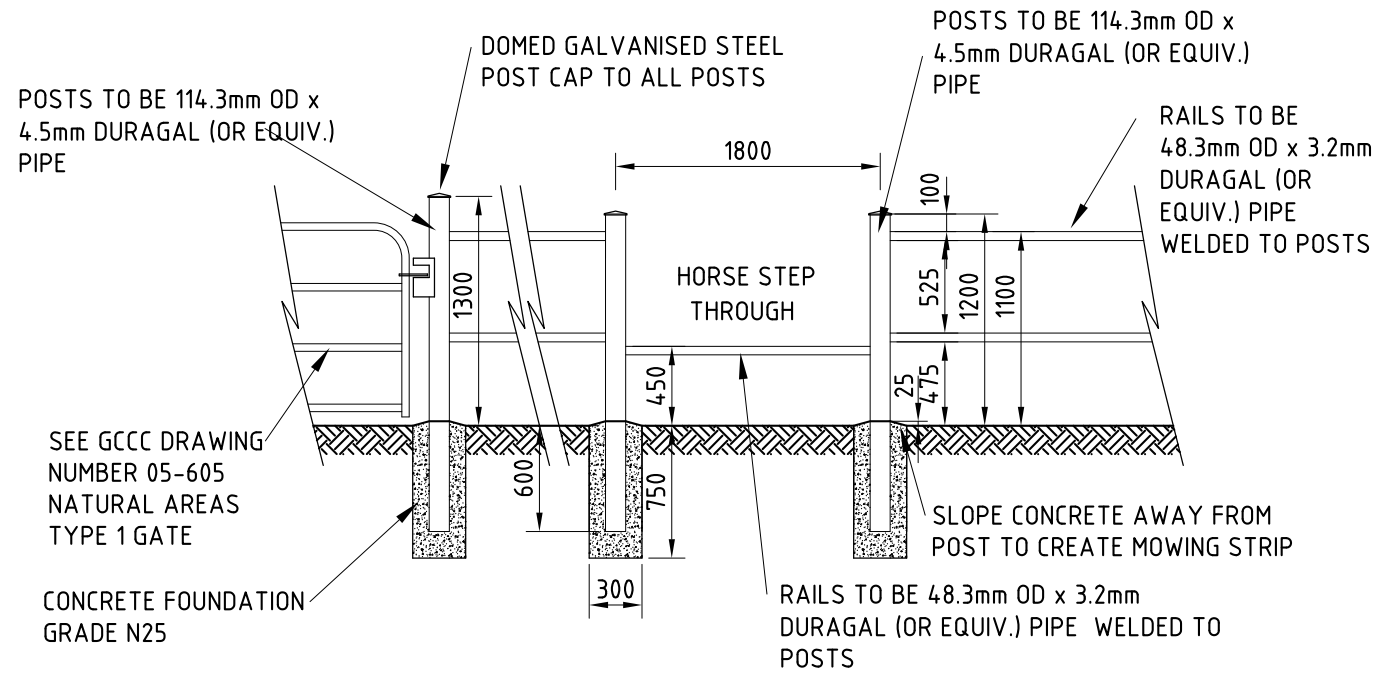
AREA UNDER HORSE STEP THROUGH AND THE 2 METRE APPROACH MUST BE GRADED TO ENSURE A LEVEL LATERAL (CROSS GRADE) SURFACE. THE LONGITUDINAL GRADE MAY BE SLOPED IF THE NATURAL SURFACE IS IN THIS EXISTING CONDITION. A COUNCIL OFFICER WILL IDENTIFY THE LOCATION FOR THE HORSE STEP THROUGH, WHETHER THROUGH DRAWING, PHOTO, PEGS OR AN ON SITE MEETING.

ACCESS TO CONSTRUCTION AREA:

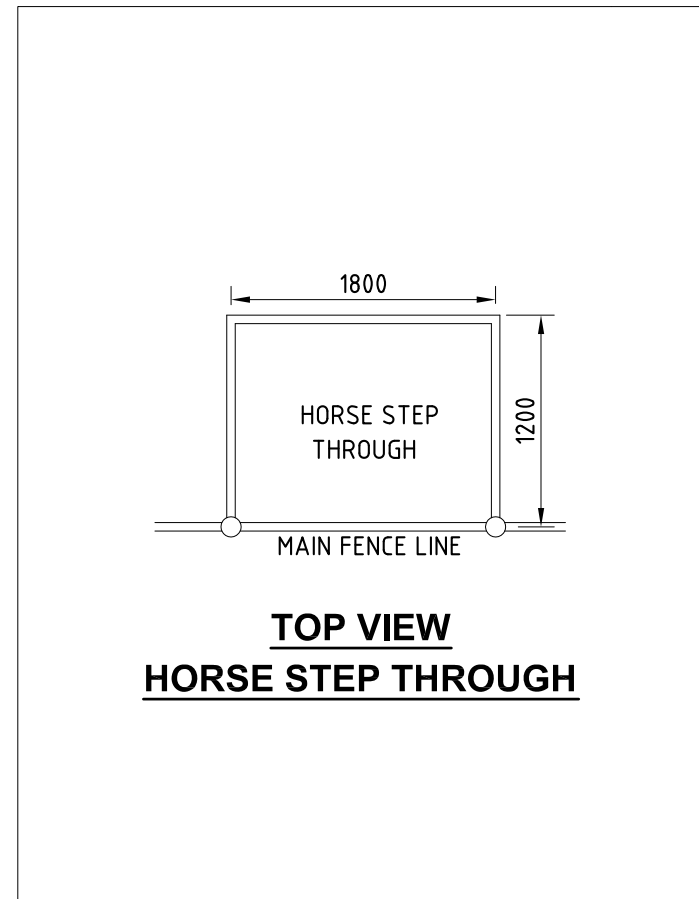
ACCESS TO THE SITE MAY REQUIRE 4 WHEEL DRIVE VEHICLES ONLY. SOME SITES MAY REQUIRE THE NEED TO WALK MATERIALS IN FOR A SHORT DISTANCE.

TERRAIN:

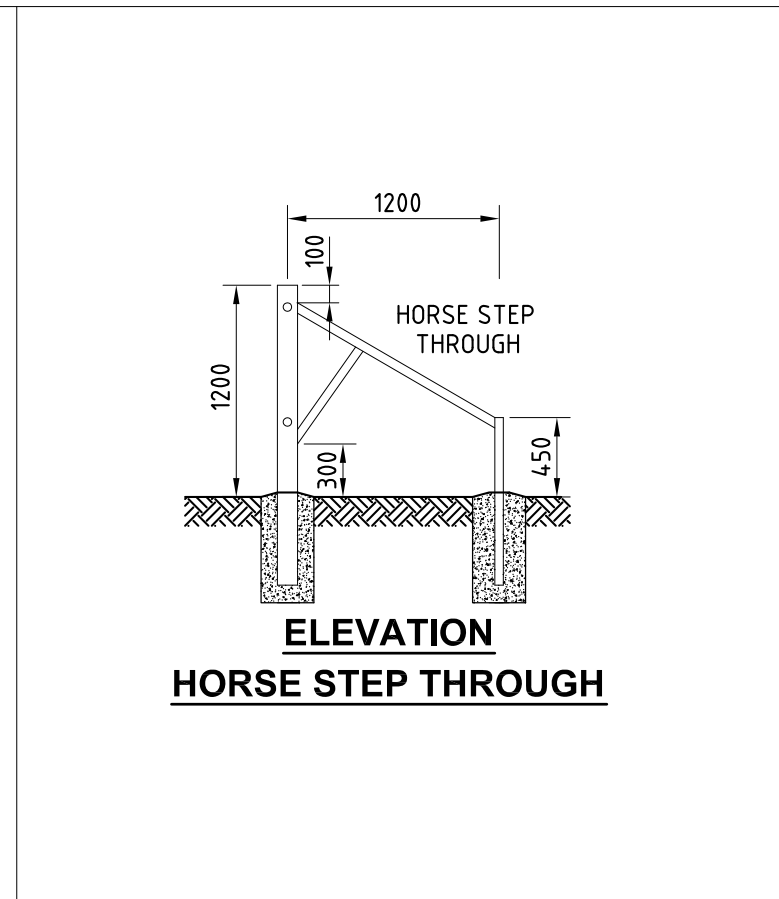
SOME SITES WILL NOT BE ON A FLAT SURFACE. TOPOGRAPHY, TERRAIN AND DIGGING CONDITIONS ARE VARIABLE.




TYPICAL SECTION



**TOP VIEW
HORSE STEP THROUGH**



**ELEVATION
HORSE STEP THROUGH**

 Gold Coast City Council <small>GOLD COAST CITY COUNCIL PO BOX 5042 GOLD COAST MC 9729</small>	THIS DRAWING IS NOT TO BE AMENDED WITHOUT REFERENCE TO STANDARDS COMMITTEE			CONTROLLED DOCUMENT	DO NOT SCALE TAKE FIGURED DIMENSIONS ONLY	STANDARD DRAWING HORSE STEP THROUGH PANEL TYPE 1	MICROFILMED
	No.	AMENDMENT	APPROVED	DATE	ISSUED		DRAFTING BY TECHNICAL SERVICES BRANCH PASSED - COORDINATOR OPEN SPACE ASSETS SIGNED: NAME: CAMERON TAYLOR DATE: 6/12/12 APPROVED - MANAGER PARKS & RECREATIONAL SERVICES SIGNED: NAME: RON JACOBS DATE: 6/12/12