

**NOTES:**

- WORKMANSHIP & MATERIALS TO BE IN ACCORDANCE WITH AS4100 & OTHER RELEVANT AUSTRALIAN STANDARDS.
- THE PIPE STEEL TO BE GRADE 350, ALL OTHER STEEL INCLUDING FLATS & PLATE TO BE AT LEAST GRADE 250.
- WELDING & PREPARATION TO BE IN ACCORDANCE WITH AS1554.1 CATEGORY SP GRADE E48XX & AS4100.
- ALL WELDING TO BE 6mm CONTINUOUS FILLET WELD.
- ALL WELDS TO BE WELL CLEANED & PAINTED IN ACCORDANCE WITH AS2312 CLAUSE 10.5.
- ALL POSTS TO BE SET VERTICALLY & ACCURATELY ALIGNED IN CONCRETE GRADE N25.
- ALL GALVANISING TO BE IN ACCORDANCE WITH AS/NZS 4680.
- DIMENSIONS ARE IN MILLIMETRES UNLESS STATED OTHERWISE.

**PAD FOR HORSE STEP THROUGH:**

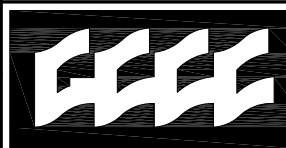
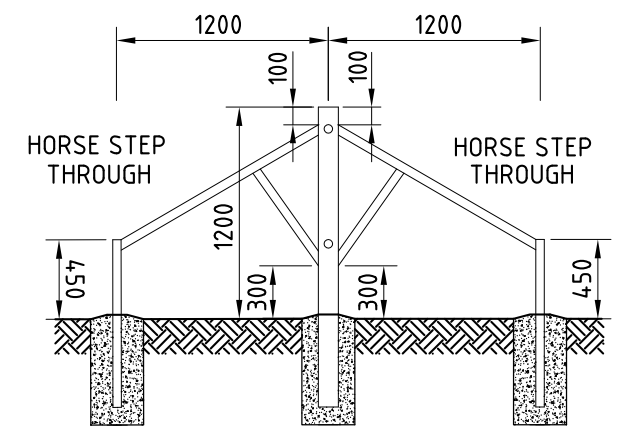
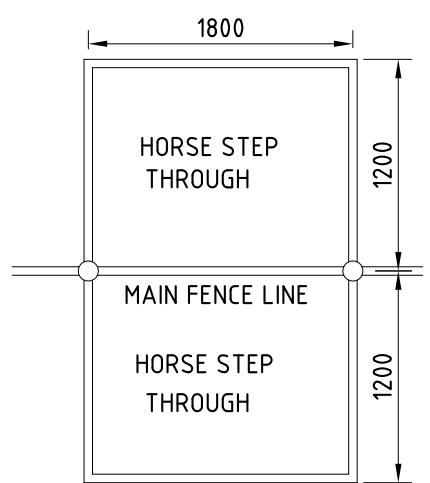
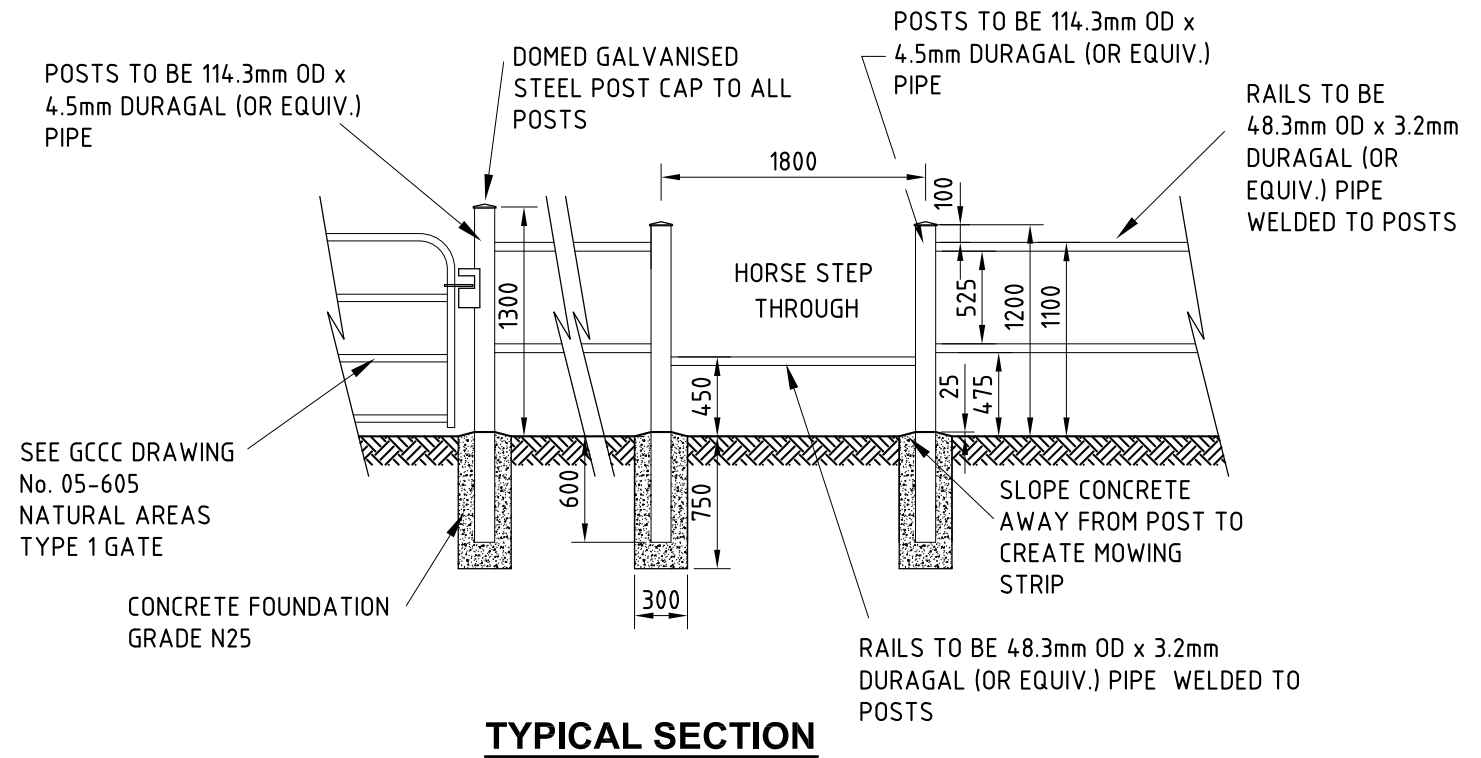
AREA UNDER HORSE STEP THROUGH AND THE 2 METRE APPROACH MUST BE GRADED TO ENSURE A LEVEL LATERAL (CROSS GRADE) SURFACE. THE LONGITUDINAL GRADE MAY BE SLOPED IF THE NATURAL SURFACE IS IN THIS EXISTING CONDITION. A COUNCIL OFFICER WILL IDENTIFY THE LOCATION FOR THE HORSE STEP THROUGH, WHETHER THROUGH DRAWING, PHOTO, PEGS OR AN ON SITE MEETING.

**ACCESS TO CONSTRUCTION AREA:**

ACCESS TO THE SITE MAY REQUIRE 4 WHEEL DRIVE VEHICLES ONLY. SOME SITES MAY REQUIRE THE NEED TO WALK MATERIALS IN FOR A SHORT DISTANCE.

**TERRAIN:**

SOME SITES WILL NOT BE ON A FLAT SURFACE. TOPOGRAPHY, TERRAIN AND DIGGING CONDITIONS ARE VARIABLE.



**Gold Coast City Council**  
GOLD COAST CITY COUNCIL  
PO BOX 5042  
GOLD COAST MC 9729

THIS DRAWING IS NOT TO BE AMENDED WITHOUT REFERENCE TO STANDARDS COMMITTEE					CONTROLLED DOCUMENT
No.	AMENDMENT	APPROVED	DATE	ISSUED	

DO NOT SCALE  
TAKE FIGURED DIMENSIONS ONLY

DRAFTING BY  
TECHNICAL SERVICES BRANCH

PASSED - COORDINATOR OPEN SPACE ASSETS  
SIGNED:  
NAME: CAMERON TAYLOR DATE: 6/12/12

APPROVED - MANAGER PARKS & RECREATIONAL SERVICES  
SIGNED:  
NAME: RON JACOBS DATE: 6/12/12

**STANDARD DRAWING**

**HORSE STEP THROUGH PANEL  
TYPE 2**

MICROFILMED

STANDARD DRAWING No.  
**13-05-608**

ISSUE  
2013 EDITION