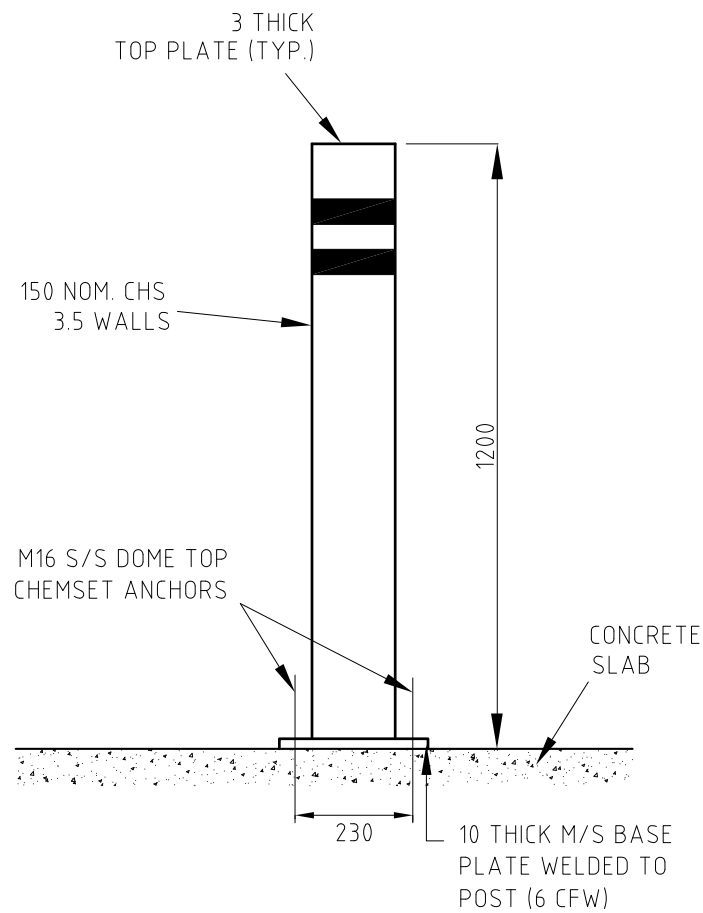


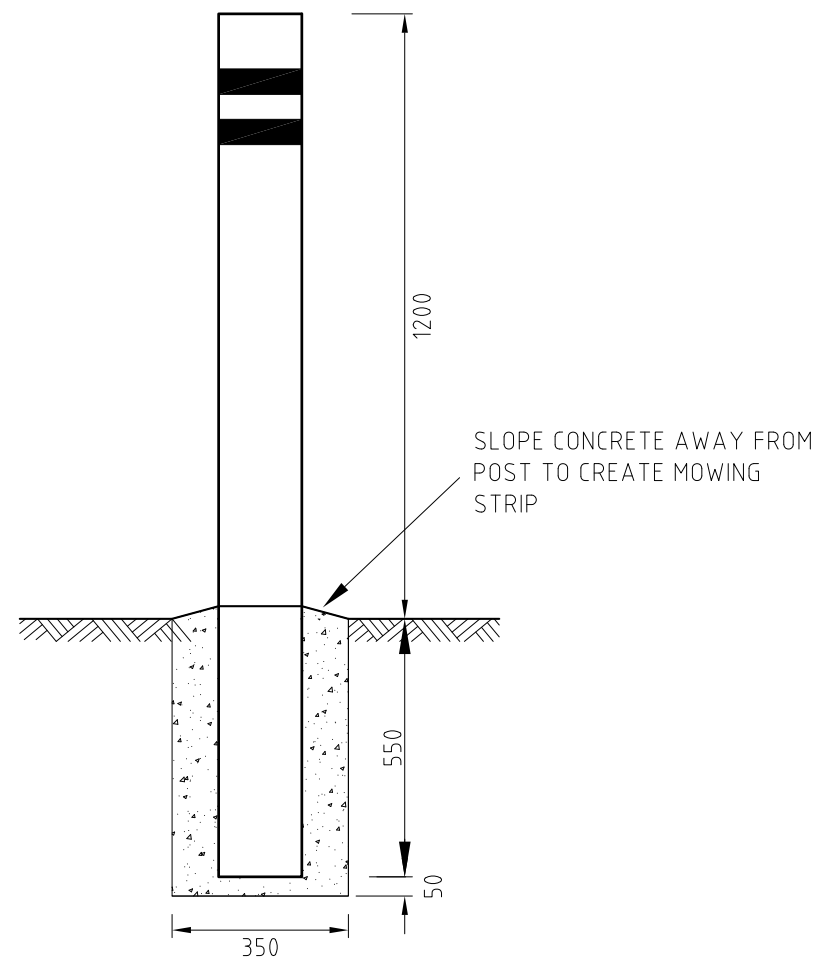
TOP VIEW



TOP VIEW



**PEDESTRIAN BOLLARD
TYPE 3**



**PEDESTRIAN BOLLARD
TYPE 4**

NOTES:

1. BOLLARDS TO BE PAINTED WITH TWO COATS OF TWO PACK 125 MICRON MINIMUM TOTAL THICKNESS (eg WATTYL PARACRYL OR EQUIVALENT PROCESS). COLOUR TO MATCH DULUX " PLUNGE " P32E9.
2. BOLLARDS TO BE MINIMUM LENGTH SHOWN WITH 550 IN GROUND.
3. POST HOLES TO BE 350 DIA AND 600 MIN DEPTH.
4. FOOTING - N25 CONCRETE WITH WEATHER OFF TOP.
5. BOLLARDS ARE FOR VISUAL GUIDE POSTING OR FENCING ONLY AND HAVE NOT BEEN DESIGNED FOR VEHICLE IMPACT PROTECTION.
6. VARIATION TO TYPE MUST BE APPROVED BY COUNCIL'S INFRASTRUCTURE OWNER.

Gold Coast City Council
GOLD COAST CITY COUNCIL
PO BOX 5042
GOLD COAST MC 9729

THIS DRAWING IS NOT TO BE AMENDED WITHOUT REFERENCE TO STANDARDS COMMITTEE				CONTROLLED DOCUMENT
No.	AMENDMENT	APPROVED	DATE	ISSUED

DO NOT SCALE TAKE FIGURED DIMENSIONS ONLY	
DRAFTING BY TECHNICAL SERVICES BRANCH	
PASSED - COORDINATOR OPEN SPACE ASSETS	
SIGNED:	
NAME: CAMERON TAYLOR	DATE: 6/12/12
APPROVED - MANAGER PARKS & RECREATIONAL SERVICES	
SIGNED:	
NAME: RON JACOBS	DATE: 6/12/12

STANDARD DRAWING

BOLLARDS - METAL

MICROFILMED
STANDARD DRAWING No. 13-05-617
ISSUE 2013 EDITION