

**GENERAL NOTES**

ENSURE MOWN HEIGHT OF GRASS (TURF) FINISHES FLUSH WITH PAVEMENT AREA. ENSURE GARDEN AREAS (MULCH) FINISH 25mm BELOW ADJACENT F.S.L.'S OF PAVEMENT AREA.

ENSURE TAPS ARE LOCATED AND LANDSCAPED IN ACCORDANCE WITH APPROVED DETAILED LANDSCAPE PLAN, AND SUBDIVISION AND DEVELOPMENT GUIDELINES. WHERE APPLICABLE, INCORPORATE TAPS AS PART OF INTEGRATED PICNIC SETTING NODES.

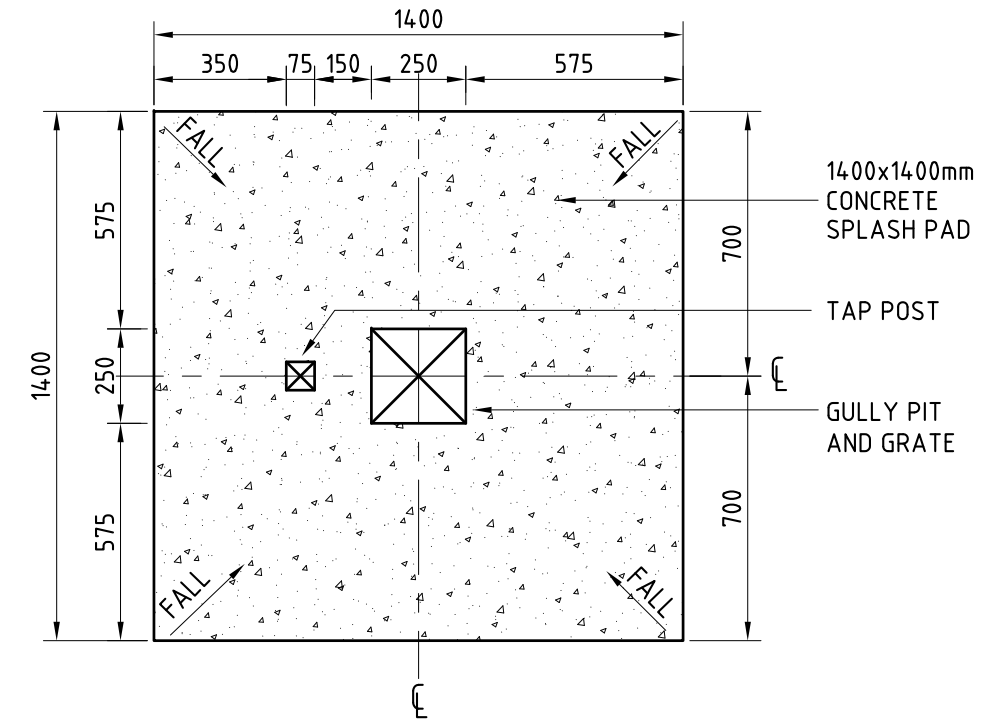
ENSURE TAPS ARE CLEANED OF CONCRETE SLURRY OR SPRAY WHEN INSTALLED TO PREVENT STAINING OR DAMAGE TO APPLIED FINISHES.

INSTALL DOUBLE 'H' CONCRETE SOAKAGE TRENCH WITH CLASS 'D' (TRUCK LOADING) LIDS. DO NOT INSTALL SOAKAGE TRENCHES IN VEHICULAR TRAFFIC AREAS.

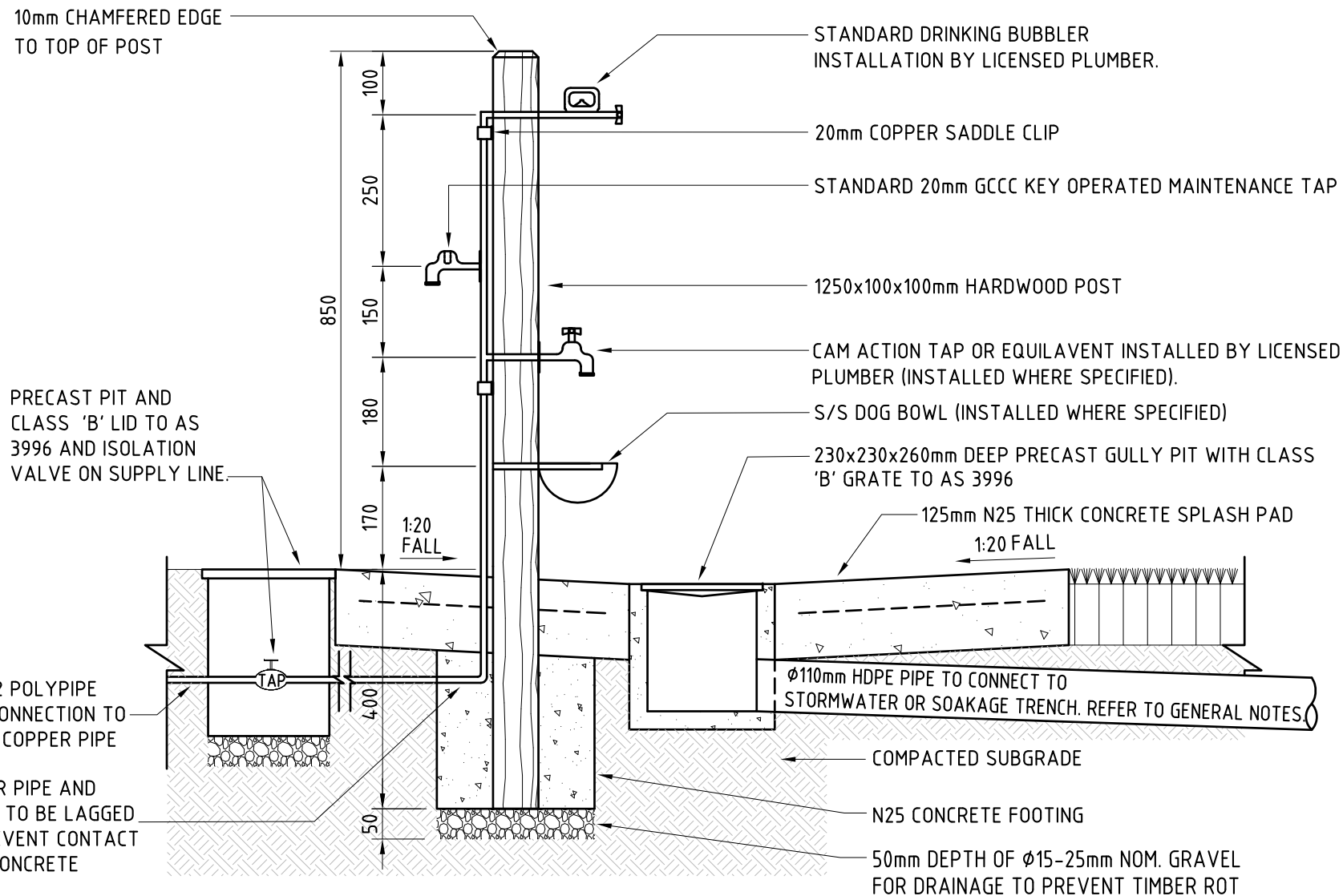
ALL DIMENSIONS IN MILLIMETRES (U.N.O.).

**FIXTURES/FITTINGS/METAL WORK**

ALL FIXTURES/FITTINGS UNLESS SPECIFIED ARE TO BE HOT DIPPED GALVANISED. SPECIFY STAINLESS STEEL FIXINGS IN VICINITY OF SALTWATER/SPRAY - ENSURE SEPARATION BETWEEN VARIOUS METALS TO PREVENT METAL CORROSION.



**SPLASH PAD - PLAN**



**SECTION**

**CONCRETE WORKS**

ALL CONCRETE TO BE GRADE N25 BROOM FINISHED 125mm MIN THICKNESS. ALL CONCRETE WORKS TO BE REINFORCED MIN SL72. ENSURE MIN TOP COVER OF 50mm. FOR SLIP RESISTANCE REQUIREMENTS REFER "REFERENCE SPECIFICATION FOR CIVIL ENGINEERING WORK" - S150 ROADWORKS.

**TIMBER NOTES**

ALL TIMBER TO BE ROUGH SAWN F27 HARDWOOD OF SINGLE SPECIES. ALL EXPOSED EDGES TO RECEIVE MIN 5mm WIDE ARRIS. PRIOR TO INSTALLATION, ALL CUTS, EDGES, JOINTS TO RECEIVE LIBERAL COATINGS WITH AN APPROVED TIMBER PRESERVATIVE, SUCH AS TANACOAT, SIKKENS OR EQUIVALENT. TIMBER FINISHES AS SPECIFIED - WHERE NO FINISH SPECIFIED, ALL TIMBER TO RECEIVE 3 No COATS OF CLEAR APPROVED TIMBER PRESERVATIVE.



**Gold Coast City Council**

GOLD COAST CITY COUNCIL  
PO BOX 5042  
GOLD COAST MC 9729

THIS DRAWING IS NOT TO BE AMENDED WITHOUT REFERENCE TO STANDARDS COMMITTEE

CONTROLLED DOCUMENT

DO NOT SCALE TAKE FIGURED DIMENSIONS ONLY

**STANDARD DRAWING**

MICROFILMED

DRAFTING BY  
**TECHNICAL SERVICES BRANCH**  
PASSED - COORDINATOR OPEN SPACE ASSETS  
SIGNED:  
NAME: CAMERON TAYLOR DATE: 6/12/12  
APPROVED - MANAGER PARKS & RECREATIONAL SERVICES  
SIGNED:  
NAME: RON JACOBS DATE: 6/12/12

**DOG OFF LEASH AREAS  
WATER TAP & BUBBLER WITH DOG BOWL**

STANDARD DRAWING No.  
**13-05-002**  
ISSUE  
**2013 EDITION**

| No. | AMENDMENT | APPROVED | DATE | ISSUED |
|-----|-----------|----------|------|--------|
|     |           |          |      |        |

THIS DRAWING HAS BEEN SOURCED FROM BRISBANE CITY COUNCIL STANDARD DRAWINGS 2001 - SERIES 700 : PARKS