

GENERAL NOTES

ENSURE MOWN HEIGHT OF GRASS (TURF) FINISHES FLUSH WITH PAVEMENT AREAS AND MAINTENANCE STRIP.

ENSURE GATES ARE LOCATED AND LANDSCAPED IN ACCORDANCE WITH THE DETAILED LANDSCAPE PLANS.

COLOUR SELECTION FOR POWDER COATING AND MATCHING PVC COATING IN ACCORDANCE WITH STANDARD GCCC CORPORATE COLOUR PALETTE/GCCC PARKS INTERIM SIGNAGE GUIDELINES.

ENSURE PARK ELEMENTS ARE CLEANED OF CONCRETE SLURRY OR SPRAY WHEN INSTALLED TO PREVENT STAINING OR DAMAGE TO APPLIED FINISHES.

ALL DIMENSIONS IN MILLIMETRES (U.N.O.).

SPECIFICATIONS

STANDARD IS NOT FOR USE IN A MARINE ENVIRONMENT. THE MARINE ENVIRONMENT COULD EXTEND UP TO 1km FROM THE FORESHORE.

SINGLE GATE - SUPPLY AND INSTALL ONE 900-1200mm HIGH x 1000mm WIDE - ALL PIPE TO BE MEDIUM GALVANISED THEN POWDER COATED SINGLE LEAF GATE. GATE TO BE SELF-CLOSING. FITTINGS TO BE BOLTED TO POSTS. INCLUDES TWO POWDER COATED GATE POSTS. GATES TO INCLUDE D LATCH.

DOUBLE GATE - SUPPLY AND INSTALL ONE 900-1200mm HIGH x 4000mm WIDE ALL PIPE TO BE MEDIUM GALVANISED THEN POWDER COATED DOUBLE LEAF GATE. INCLUDES TWO POWDER COATED GATE POSTS CHAIN TO BE JOINED BY LOOP LATCH.

WHERE STANDARD IS REQUIRED FOR USE WITH MARINE ENVIRONMENT, THE FOLLOWING PROTECTION TREATMENT FOR STEEL WORK IS REQUIRED:

- HOT DIP GALVANISING: 600 MICRONS MIN;
- SWEEP ABRASIVE BLAST;
- FIRST COAT: EPOXY PRIMER 75 MICRONS MIN;
- SECOND COAT: TWO PACK ACRYLIC OR POLYURETHANE GLOSS 75 MICRONS MIN;

ALL CHAIN WIRE AND TIE WIRE (BOTH MARINE AND NON-MARINE APPLICATIONS) TO BE PVC COATED.

- OTHER SPECIFICATIONS:
- GATE POSTS (CAPPED) - 50NB (60.3 OD, 3.6 THICK)
 - GATE FRAME/BRACE - 25 NB
 - CHAIN WIRE - 50mm NOMINAL MESH WITH 2.5mm PVC COATED WIRE.
 - CABLES & STRINGERS - PVC COATED 3.15mm
 - PANELS - MAXIMUM 2400mm

ALL POSTS ARE TO BE CONCRETED INTO GROUND 300mmx600mm DEEP.

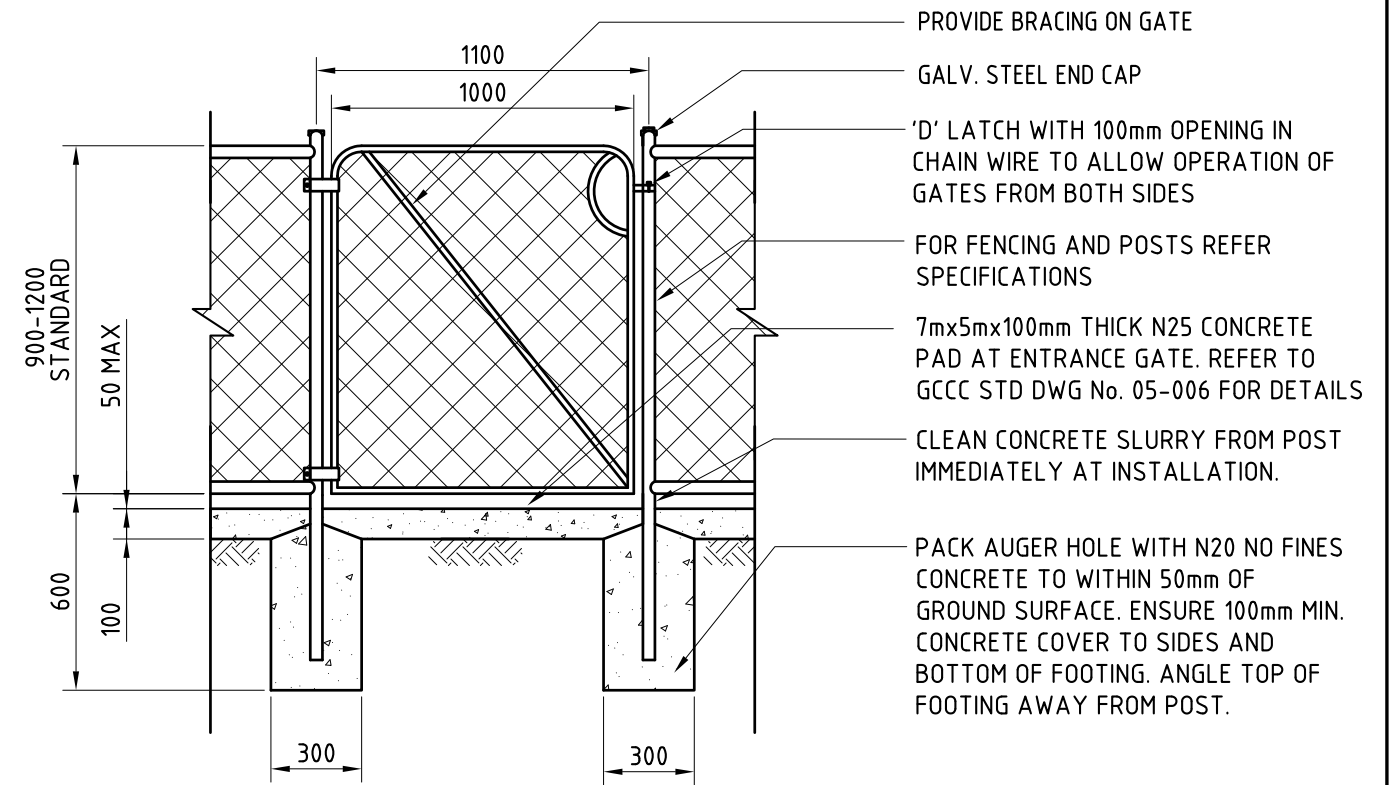
MAX. GAPS OF 50mm UNDER ALL GATES.

FIXTURES/FITTINGS/METAL WORK NOTES

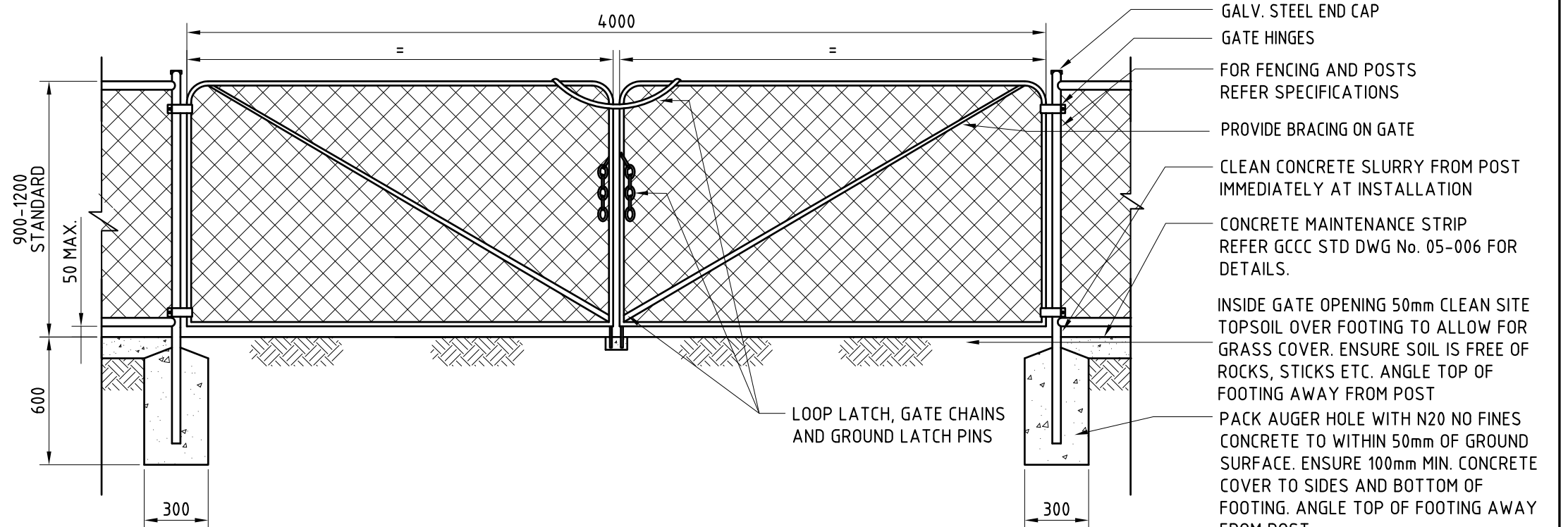
ALL FIXTURES/FITTINGS UNLESS SPECIFIED ARE TO BE HOT DIPPED GALVANISED.

GRIND SMOOTH EDGES & WELDS PRIOR TO H.D.G. OR APPLIED FINISHES.

ALL WELDS TO BE CONTINUOUS, GROUND OFF SMOOTH & FLUSH.



SINGLE GATE SECTION



DOUBLE GATE SECTION



Gold Coast City Council
GOLD COAST CITY COUNCIL
PO BOX 5042
GOLD COAST MC 9729

THIS DRAWING IS NOT TO BE AMENDED WITHOUT REFERENCE TO STANDARDS COMMITTEE				CONTROLLED DOCUMENT
No.	AMENDMENT	APPROVED	DATE	ISSUED

DO NOT SCALE TAKE FIGURED DIMENSIONS ONLY	
DRAFTING BY	TECHNICAL SERVICES BRANCH
PASSED - COORDINATOR OPEN SPACE ASSETS	
SIGNED:	
NAME: CAMERON TAYLOR	DATE: 6/12/12
APPROVED - MANAGER PARKS & RECREATIONAL SERVICES	
SIGNED:	
NAME: RON JACOBS	DATE: 6/12/12

STANDARD DRAWING	
DOG OFF LEASH AREAS GATE DETAILS	
THIS DRAWING HAS BEEN SOURCED FROM BRISBANE CITY COUNCIL STANDARD DRAWINGS 2001 - SERIES 700 : PARKS	

MICROFILMED
STANDARD DRAWING No. 13-05-006
ISSUE 2013 EDITION