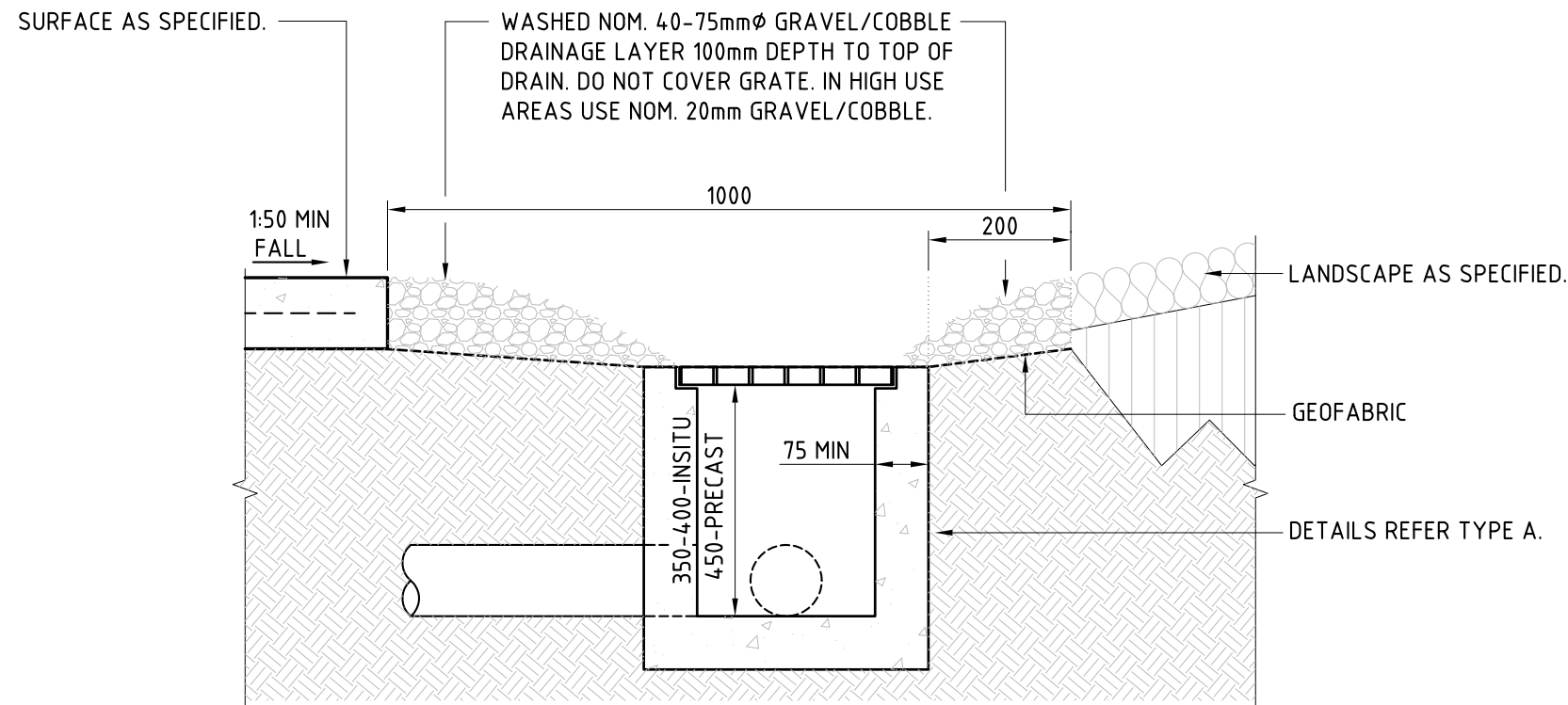


TYPE A - SECTION

110mm ϕ H.D.P.E. STORMWATER PIPE. CONNECT INTO STORMWATER SYSTEM WITH APPROVED CONNECTION. ENSURE MIN. 1:100 FALL TO CONNECTION.



TYPE B - SECTION

GENERAL NOTES

(FOR LANDSCAPING AND TURF AREAS ONLY)

ENSURE MOWN HEIGHT OF GRASS (TURF) AREAS FINISHES FLUSH WITH GRATE.

ENSURE GARDEN AREAS (MULCH) FINISH 25mm BELOW GRATE.

MULCH SHOULD NOT BE USED ON STEEP SLOPES ADJACENT TO GRATES OR WHERE PONDING COULD CAUSE THE MULCH TO FLOAT AND BLOCK THE INLET GRATE.

ENSURE EVEN GRADE FALLS MIN. 1:50 TO PAVEMENT AREAS TOWARDS GRATE.

ENSURE DRAINS ARE LOCATED IN ACCORDANCE WITH DETAILED LANDSCAPE PLANS, AND SUBDIVISION AND DEVELOPMENT GUIDELINES.

FIELD INLET AND CONNECTION TO STORMWATER LINE TO HYDRAULIC ENGINEERS SPECIFICATION.

INLET PITS ONLY TO BE USED TO DRAIN LOW AREAS IN LANDSCAPED AND TURF AREAS. NOT SUITABLE FOR ROADS, CARPARKS, KERB AND CHANNEL AND EXTENSIVE PAVEMENT AREAS.

DIMENSIONS IN MILLIMETRES. (U.N.O.).



Gold Coast City Council

GOLD COAST CITY COUNCIL
PO BOX 5042
GOLD COAST MC 9729

THIS DRAWING IS NOT TO BE AMENDED WITHOUT REFERENCE TO STANDARDS COMMITTEE

CONTROLLED DOCUMENT

DO NOT SCALE
TAKE FIGURED DIMENSIONS ONLY

STANDARD DRAWING

MICROFILMED

DRAFTING BY
TECHNICAL SERVICES BRANCH

PASSED - COORDINATOR OPEN SPACE ASSETS
SIGNED: CAMERON TAYLOR DATE: 6/12/12

APPROVED - MANAGER PARKS & RECREATIONAL SERVICES
SIGNED: RON JACOBS DATE: 6/12/12

**DRAINAGE
FIELD INLET PIT WITH GRATE**

STANDARD DRAWING No.

13-05-007

ISSUE

2013 EDITION

No.	AMENDMENT	APPROVED	DATE	ISSUED

THIS DRAWING HAS BEEN SOURCED FROM BRISBANE CITY COUNCIL STANDARD DRAWINGS 2001 - SERIES 700 : PARKS