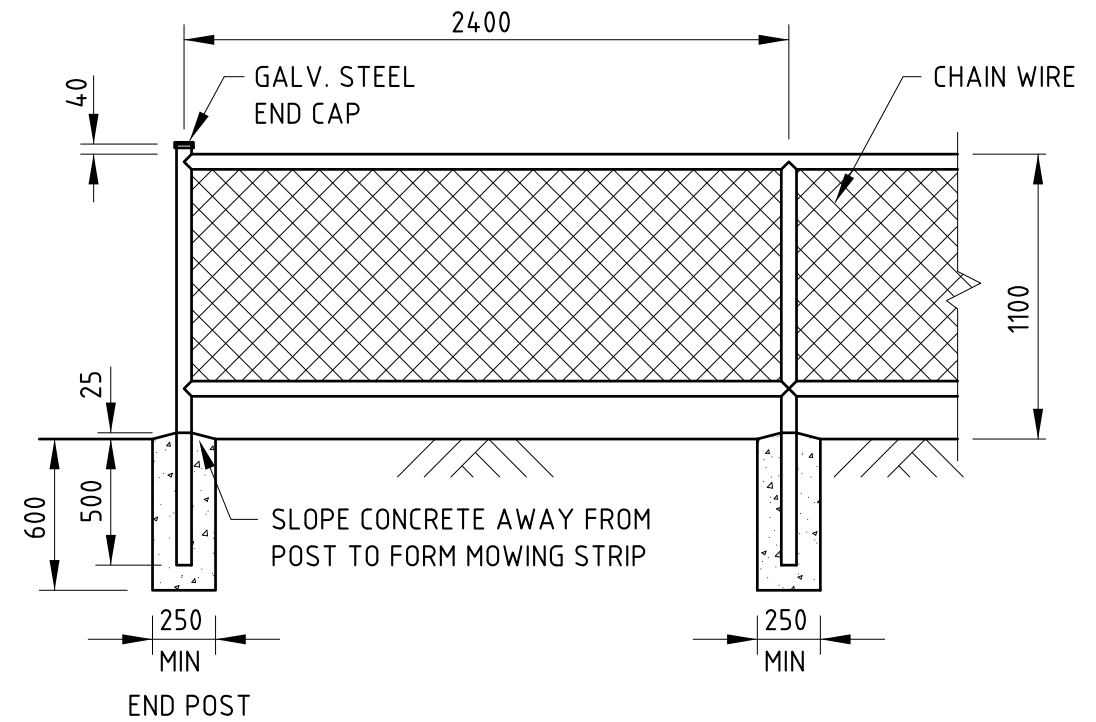


**GENERAL PURPOSE
GALVANISED TUBULAR HANDRAIL**



**GALVANISED TUBULAR HANDRAIL
WITH CHAIN WIRE**

NOTES:

1. GATE AND END POSTS TO BE CONTINUOUS LENGTHS 50 NB (60.3 OD 3.6 THICK) GALVANISED STEEL TUBE. (AS 1163 REFERS)
2. INTERMEDIATE POSTS TO BE CONTINUOUS LENGTHS 40 NB (48.3 OD 3.2 THICK) GALVANISED STEEL TUBE. (AS 1163 REFERS)
3. RAILS TO BE 40 NB (48.3 OD, 3.2 THICK) GALVANISED STEEL TUBE. (AS 1163 REFERS)
4. STANDARD COUPLINGS MAY BE USED PROVIDED THEY ARE SPOT WELDED TO POSTS OR RAILS.
5. ALL WELDS TO BE 6 C.F.W. (CONTINUOUS FILLET WELDS) TO AS 1554.1 WITH COLD GALVANISING TREATMENT TO COMPLETED WELDS.
6. CHAIN WIRE TO BE 900 HIGH x 3.15 THICK x 50 MESH HEAVY GALVANISED IN ACCORDANCE WITH AS 2423.
7. CHAIN WIRE TO BE FIXED USING 1.6 THICK HEAVY GALVANISED WIRE, TIED TO POSTS AT 2 LOCATIONS AND CONTINUOUSLY LACED TO RAILS.
8. POSTS TO BE SET VERTICALLY AND ACCURATELY ALIGNED IN CONCRETE GRADE N25.
9. GALVANISED TUBULAR HANDRAILS TO BE SPLAYED 45° AT ENDS IN SITUATIONS OF POSSIBLE VEHICLE IMPACT.
10. ALL GALVANISING IS TO BE IN ACCORDANCE WITH AS/NZS 4680.
11. THESE FENCES SHALL NOT BE USED WITHIN 5 METRES OF THE EDGE OF A MOVING TRAFFIC LANE.
12. DIMENSIONS ARE IN MILLIMETRES UNLESS SHOWN OTHERWISE.



Gold Coast City Council

GOLD COAST CITY COUNCIL
PO BOX 5042
GOLD COAST MC 9729

THIS DRAWING IS NOT TO BE AMENDED WITHOUT REFERENCE TO STANDARDS COMMITTEE

CONTROLLED DOCUMENT

DO NOT SCALE
TAKE FIGURED DIMENSIONS ONLY

STANDARD DRAWING

MICROFILMED

DRAFTING BY
TECHNICAL SERVICES BRANCH

PASSED - COORDINATOR OPEN SPACE ASSETS
SIGNED: CAMERON TAYLOR DATE: 6/12/12

APPROVED - MANAGER PARKS & RECREATIONAL SERVICES
SIGNED: RON JACOBS DATE: 6/12/12

**PEDESTRIAN BARRIER
GALVANISED TUBULAR FENCING**

STANDARD DRAWING No.
13-05-013

ISSUE
2013 EDITION

No.	AMENDMENT	APPROVED	DATE	ISSUED