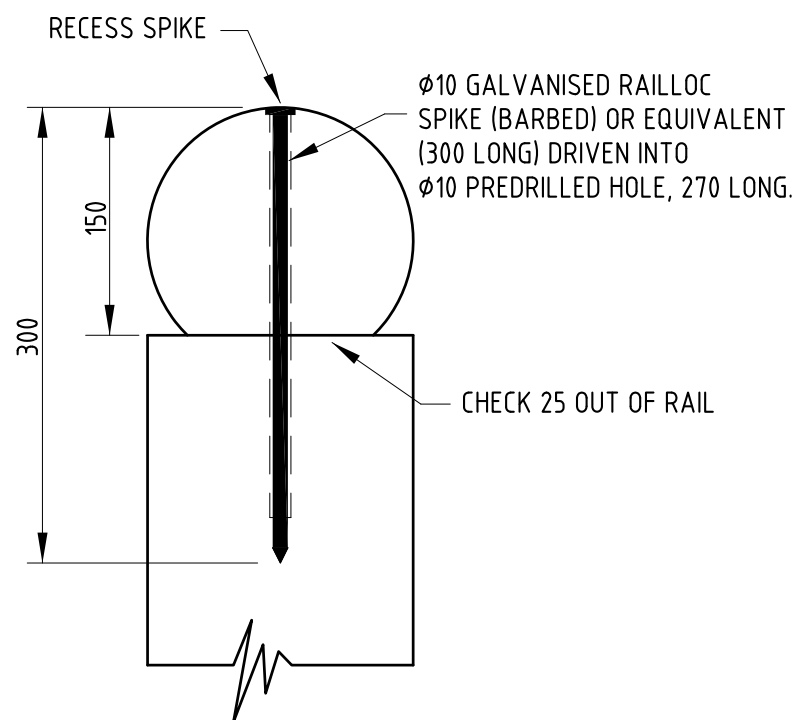


SECTIONAL ELEVATION



DETAIL 'A'

NOTES:

1. ALL CONCRETE TO BE GRADE N25.
2. LOG BARRIERS INCLUDING POSTS TO BE 175 DIAMETER. (OR TO MATCH EXISTING AS DIRECTED BY COUNCIL)
3. PAINT ALL CUT TIMBER SURFACES WITH CUPRINOL OR EQUIVALENT.
4. AT BIKEWAY SLOWDOWN DEVICES, A CONTINUOUS RAIL SHALL BE PROVIDED.
5. ALL TIMBER TO BE CCA TREATED TO LEVEL H4 (AS1604).
6. CHECK FOR ANY SERVICE LOCATIONS PRIOR TO BORING POST HOLES.
7. DIMENSIONS ARE IN MILLIMETRES UNLESS SHOWN OTHERWISE.

Gold Coast City Council
 GOLD COAST CITY COUNCIL
 PO BOX 5042
 GOLD COAST MC 9729

THIS DRAWING IS NOT TO BE AMENDED WITHOUT REFERENCE TO STANDARDS COMMITTEE				CONTROLLED DOCUMENT	DO NOT SCALE TAKE FIGURED DIMENSIONS ONLY
				DRAFTING BY TECHNICAL SERVICES BRANCH	
				PASSED - COORDINATOR OPEN SPACE ASSETS SIGNED: CAMERON TAYLOR DATE: 6/12/12	
				APPROVED - MANAGER PARKS & RECREATIONAL SERVICES SIGNED: RON JACOBS DATE: 6/12/12	
No.	AMENDMENT	APPROVED	DATE	ISSUED	

STANDARD DRAWING

**LOW PROFILE LOG BARRIER FENCING
0.5m HIGH**

MICROFILMED

STANDARD DRAWING No.
13-05-015

ISSUE
2013 EDITION