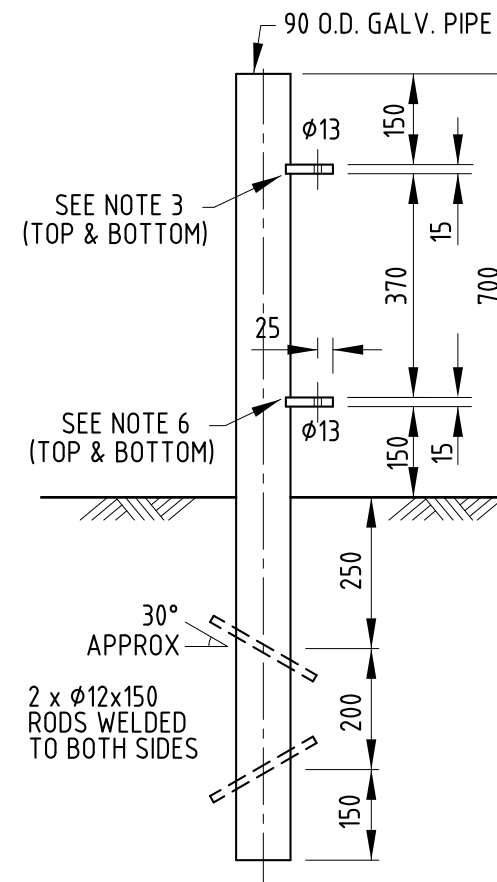
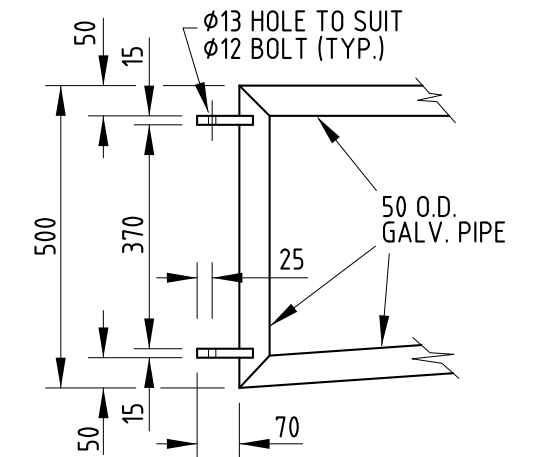


**SECTIONAL ELEVATION**



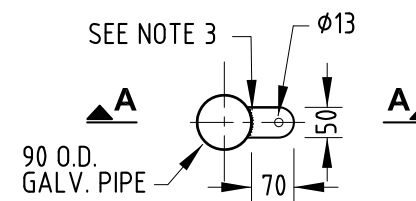
**SECTION A-A**



**SECTION B-B**

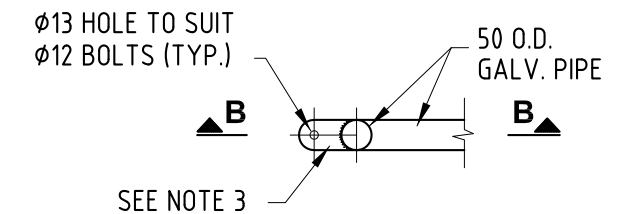
**NOTES:**

1. ALL CONCRETE TO BE GRADE N25.
2. GATE TO BE MOUNTED TO POST WITH TWO M12 GALVANISED STEEL BOLTS 40 LONG SUITABLY BURRED AFTER ERECTION.
3. HINGE LUGS TO BE 6 FILLET WELDED TO POST AND GATE PRIOR TO ERECTION.
4. ALL END AND MITRE JOINTS TO BE BUTT WELDED ALL AROUND.
5. ALL PIPES TO BE MEDIUM GAUGE HEAVY GALVANISED FINISHED WITH TWO COATS OF TWO PACK 125 MICRON MINIMUM TOTAL THICKNESS (eg WATTYL PARACRYL OR EQUIVALENT PROCESS). COLOUR TO MATCH COLORBOND "CAULFIELD GREEN".
6. ALL WELDS AND BARE METAL TO BE THOROUGHLY CLEANED AND PAINTED WITH COLD GALVANISING PRIMER PRIOR TO FINISH COAT.
7. DIMENSIONS ARE IN MILLIMETRES UNLESS SHOWN OTHERWISE.



**PLAN**

**POST HINGE DETAILS**



**PLAN**

**GATE HINGE DETAILS**



**Gold Coast City Council**

GOLD COAST CITY COUNCIL  
PO BOX 5042  
GOLD COAST MC 9729

THIS DRAWING IS NOT TO BE AMENDED WITHOUT REFERENCE TO STANDARDS COMMITTEE				CONTROLLED DOCUMENT	DO NOT SCALE TAKE FIGURED DIMENSIONS ONLY
				DRAFTING BY TECHNICAL SERVICES BRANCH	
				PASSED - COORDINATOR OPEN SPACE ASSETS	
				SIGNED: CAMERON TAYLOR	DATE: 6/12/12
				APPROVED - MANAGER PARKS & RECREATIONAL SERVICES	
				SIGNED: RON JACOBS	DATE: 6/12/12
No.	AMENDMENT	APPROVED	DATE	ISSUED	

**STANDARD DRAWING**

**PARK GATE**

MICROFILMED

STANDARD DRAWING No.  
**13-05-016**

ISSUE  
**2013 EDITION**