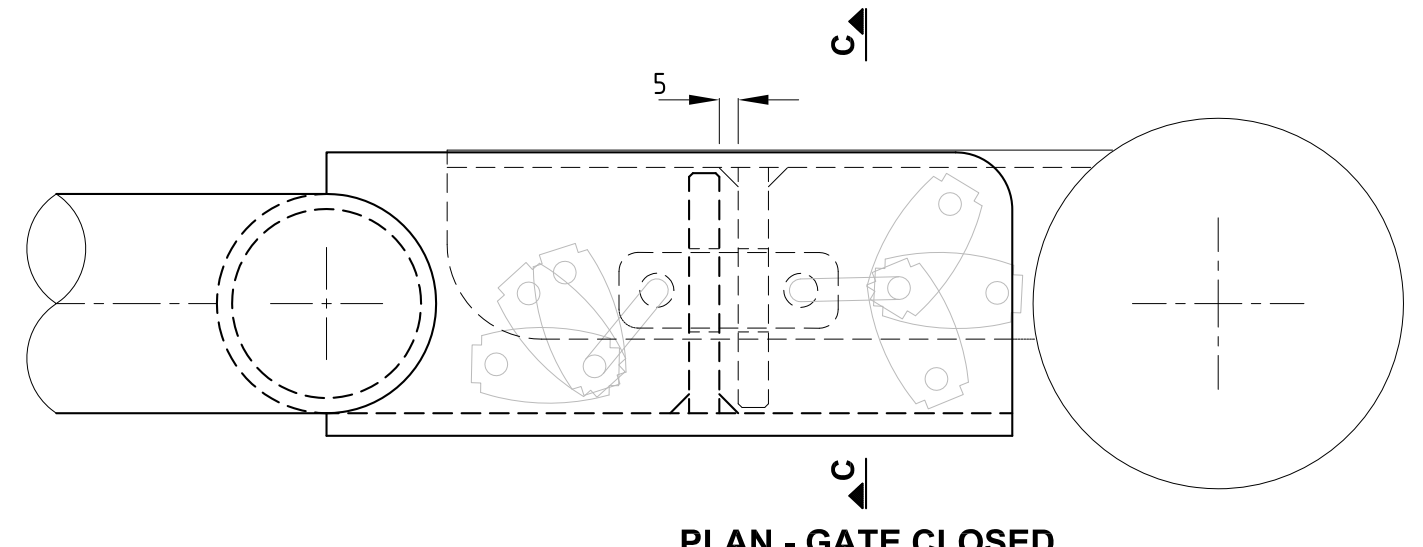
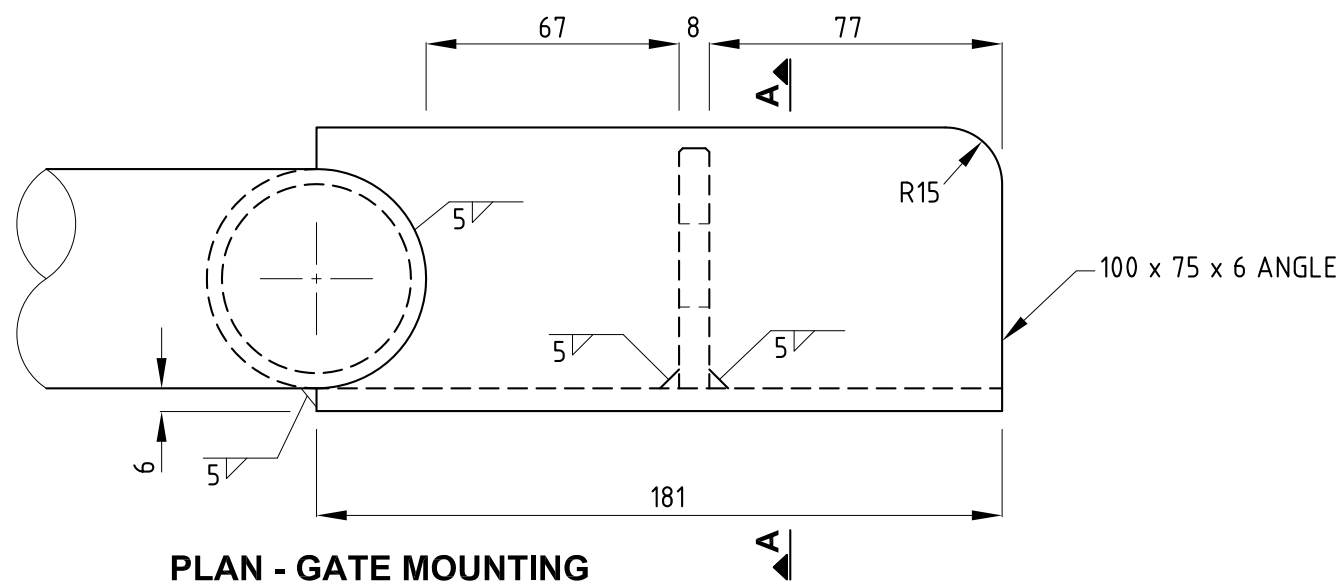


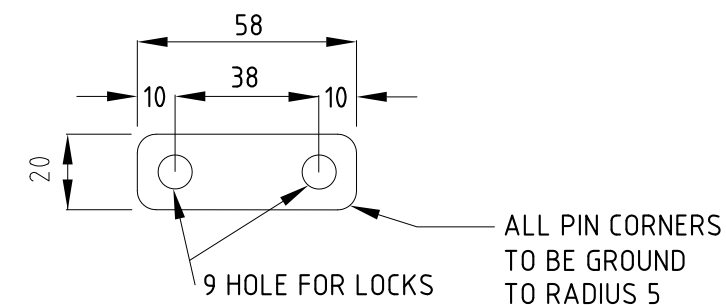
**PLAN - POST MOUNTING**



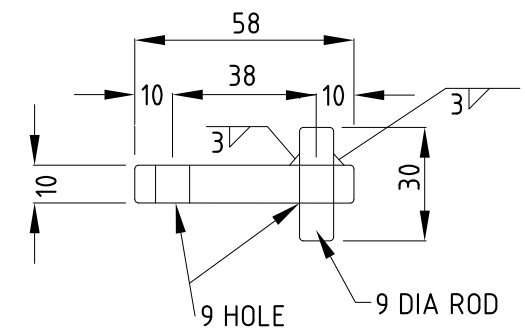
**PLAN - GATE CLOSED**



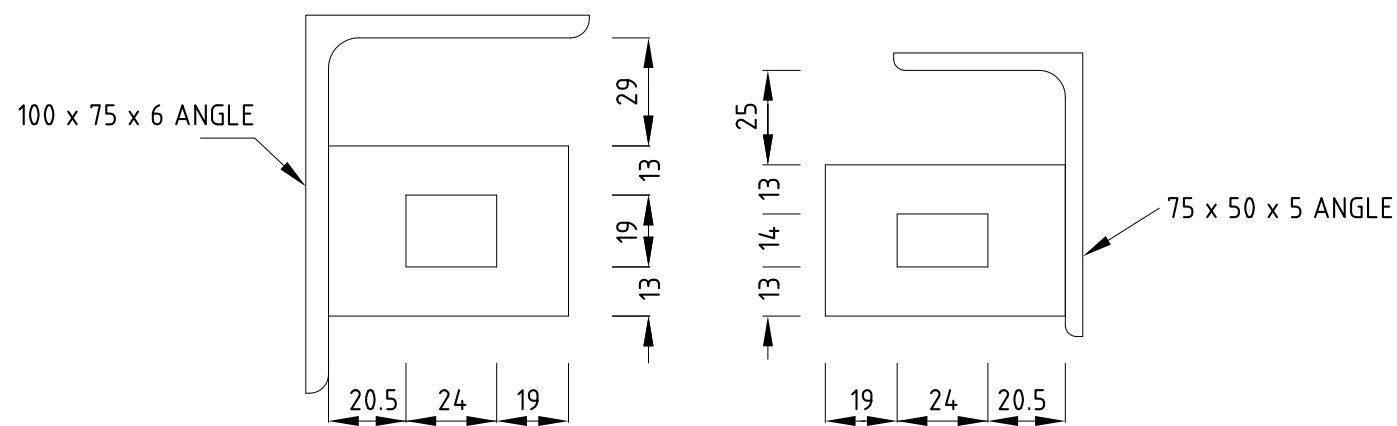
**PLAN - GATE MOUNTING**



**PLAN - LOCK PIN - DOUBLE**

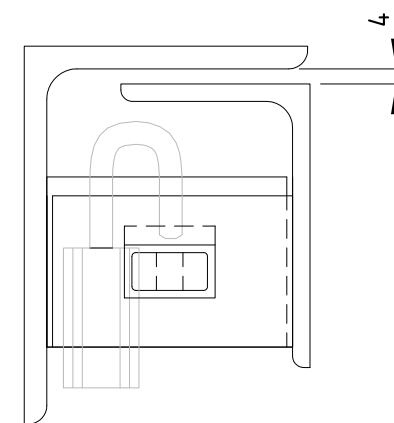


**ELEVATION - LOCK PIN - SINGLE**



**SECTION A-A**

**SECTION B-B**



**SECTION C-C**

**NOTES**

1. ALL WELDS AND BARE METAL TO BE THOROUGHLY CLEANED AND PAINTED WITH COLD GALVANISING.
2. DIMENSIONS ARE IN MILLIMETRES UNLESS SHOWN OTHERWISE.
3. ALL MATERIALS TO BE GALVANISED MILD STEEL.

<p><b>Gold Coast City Council</b> GOLD COAST CITY COUNCIL PO BOX 5042 GOLD COAST MC 9729</p>	THIS DRAWING IS NOT TO BE AMENDED WITHOUT REFERENCE TO STANDARDS COMMITTEE			CONTROLLED DOCUMENT	DO NOT SCALE TAKE FIGURED DIMENSIONS ONLY	<p><b>STANDARD DRAWING</b></p> <p><b>LOCKING DEVICE FOR PARK GATE DUAL LOCKS</b></p>	MICROFILMED
					<p>DRAFTING BY TECHNICAL SERVICES BRANCH</p> <p>PASSED - COORDINATOR OPEN SPACE ASSETS</p> <p>SIGNED: CAMERON TAYLOR DATE: 6/12/12</p> <p>APPROVED - MANAGER PARKS &amp; RECREATIONAL SERVICES</p> <p>SIGNED: RON JACOBS DATE: 6/12/12</p>		STANDARD DRAWING No. <b>13-05-017</b>
	No.	AMENDMENT	APPROVED	DATE	ISSUED		ISSUE <b>2013 EDITION</b>