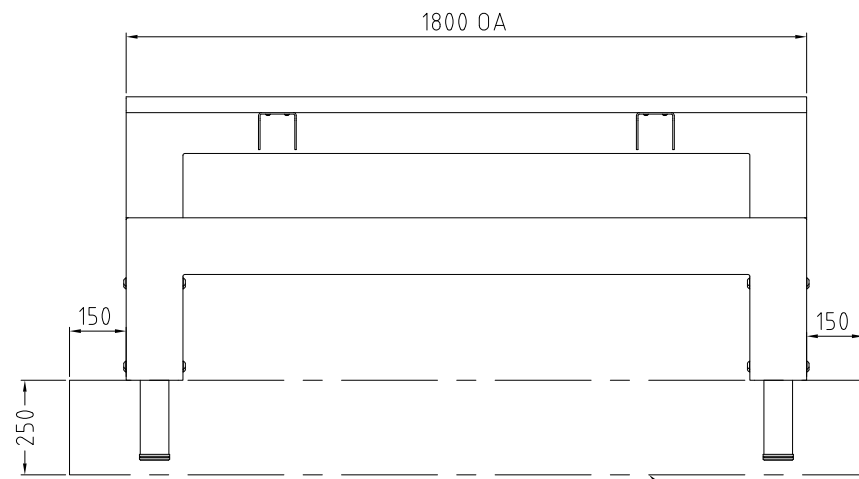
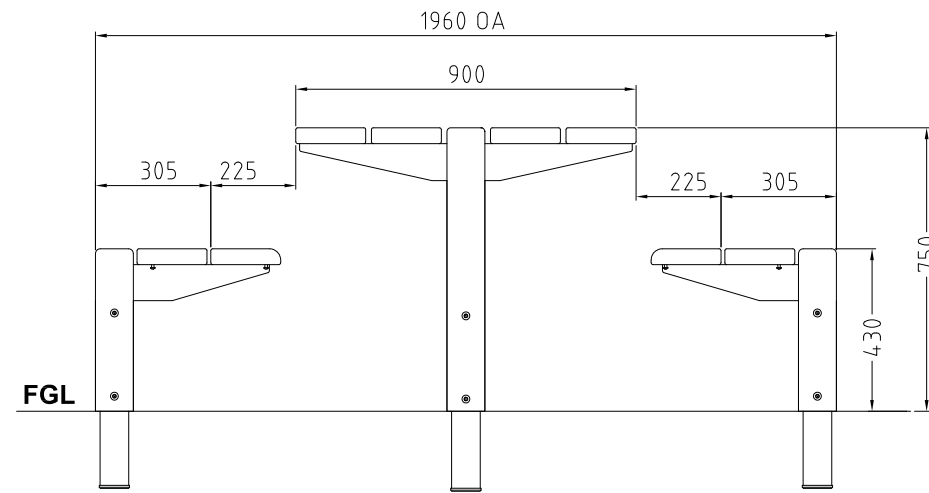


PARTS LIST			
NO.	TITLE	DRAWING #	QTY.
1	Natural Picnic Table	05-513	1
2	Natural Bench	05-512	2

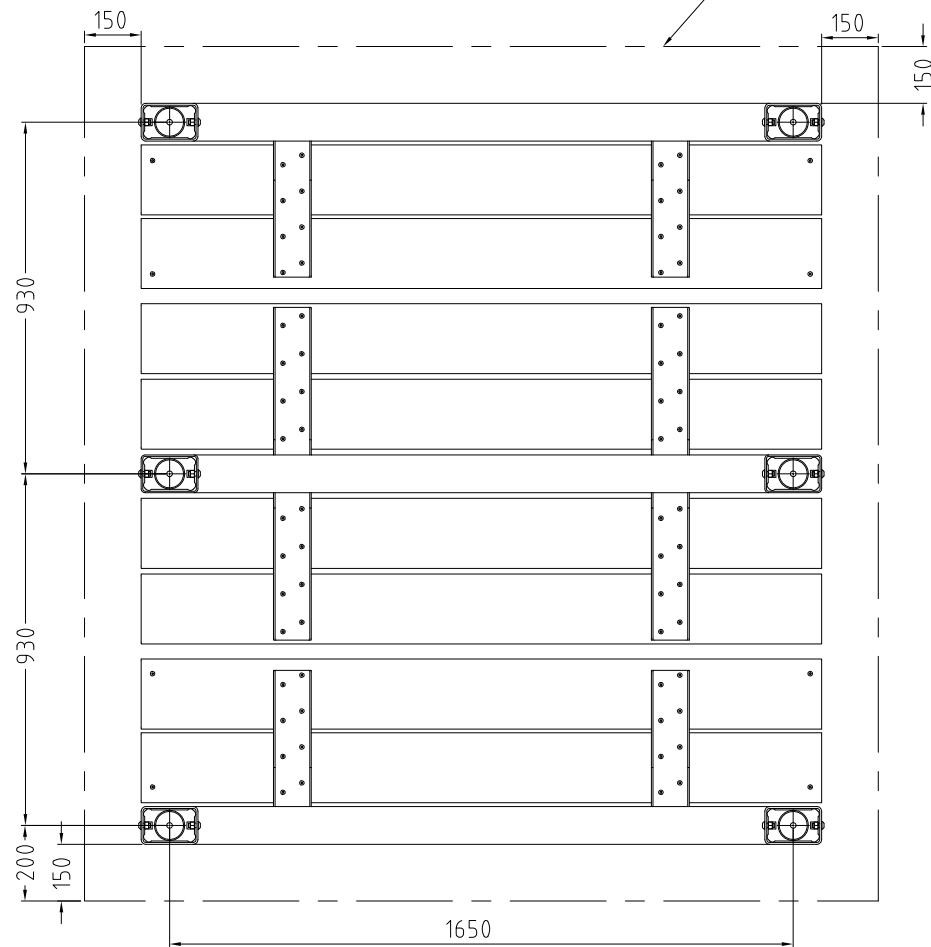


FRONT VIEW

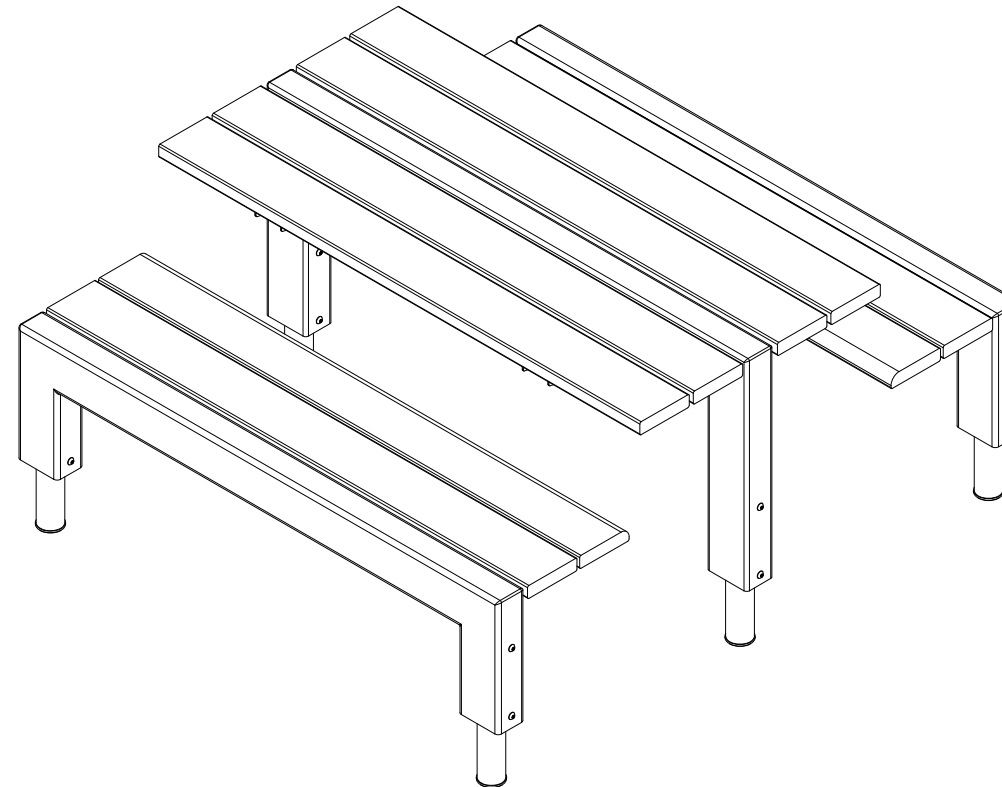


RIGHT VIEW

Dashed Line represents concrete pad.
Refer to GCCC std dwg. no. 05-539



BOTTOM VIEW



GENERAL NOTES:

1. ALL DIMENSIONS IN MILLIMETRES UNLESS OTHERWISE SHOWN.
2. TOLERANCES:
- LINEAR ARE $\pm 1.0\text{mm}$ UNLESS MARKED WITH $\times \pm 0.5\text{mm}$
- ANGULAR ARE $\pm 0.5^\circ$ UNLESS SPECIFIED OTHERWISE.
- HOLES AND RADII $\pm 0.5\text{mm}$ UNLESS SPECIFIED OTHERWISE.
3. NO DEVIATION FROM DRAWING WILL BE ACCEPTED WITHOUT PRIOR WRITTEN APPROVAL.
4. DO NOT SCALE FROM DRAWINGS. USE DIMENSIONS PROVIDED IF THIS IS INSUFFICIENT OR AMBIGUOUS CONTACT GOLD COAST CITY COUNCIL FOR CLARIFICATION.

NOTE:-
THIS DRAWING HAS BEEN SOURCED FROM HUBB STREET EQUIPMENT. THIS DRAWING IS NOT DRAWN TO GCCC STANDARD T.P.R GUIDELINES.

Gold Coast City Council
GOLD COAST CITY COUNCIL
PO BOX 5042
GOLD COAST MC 9729

THIS DRAWING IS NOT TO BE AMENDED WITHOUT REFERENCE TO STANDARDS COMMITTEE			
No.	AMENDMENT	APPROVED	DATE

CONTROLLED DOCUMENT
ISSUED

DO NOT SCALE TAKE FIGURED DIMENSIONS ONLY	
DRAFTING BY TECHNICAL SERVICES BRANCH	
PASSED - COORDINATOR OPEN SPACE ASSETS	
SIGNED:	DATE: 6/12/12
NAME: CAMERON TAYLOR	
APPROVED - MANAGER PARKS & RECREATIONAL SERVICES	
SIGNED:	DATE: 6/12/12
NAME: RON JACOBS	

STANDARD DRAWING

NATURAL SUITE - PICNIC SETTING

THIS DRAWING HAS BEEN SOURCED FROM HUBB STREET EQUIPMENT DRAWING NUMBERS 7432.901 TO 7432.938

MICROFILMED
STANDARD DRAWING No. 13-05-516
ISSUE 2013 EDITION