

ASSEMBLY NOTES:

1. ALL FASTENERS TO BE INCLUDED IN SUPPLY OF ASSEMBLY UNLESS OTHERWISE INDICATED.
2. ALL SURFACES TO BE FREE FROM MARKS AND SCRATCHES.
3. USE A NICKEL BASED ANTI-SEIZURE LUBRICANT BETWEEN STAINLESS FIXINGS AND TAPPED STAINLESS STEEL UNLESS STATED.
4. PRE DRILL WOODEN SLATS PRIOR TO SCREWING TO AVOID SPLITTING.

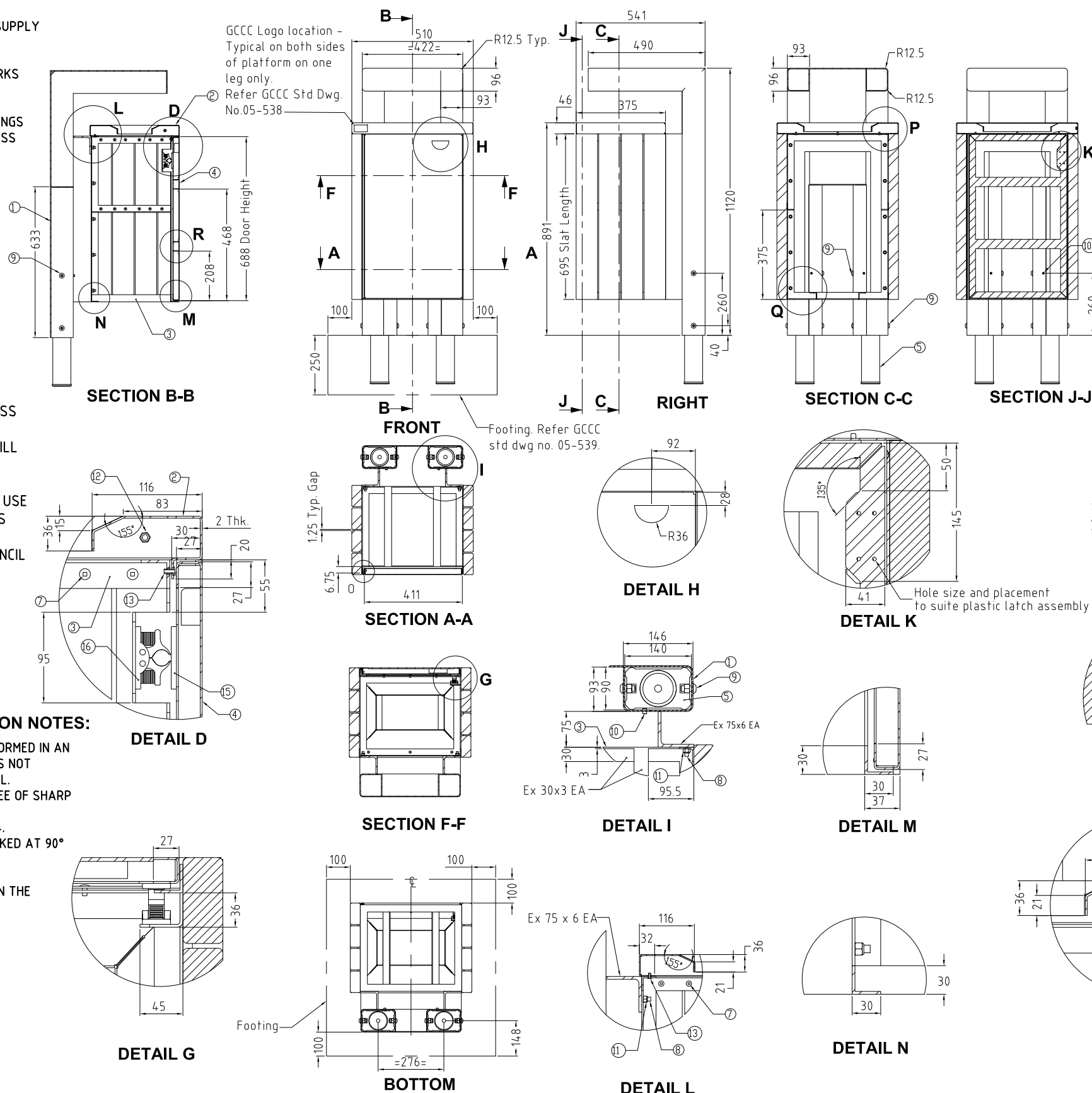
GENERAL NOTES:

1. ALL DIMENSIONS IN MILLIMETRES UNLESS OTHERWISE SHOWN.
2. TOLERANCES:
- LINEAR ARE $\pm 1.0\text{mm}$ UNLESS MARKED WITH $\times \pm 0.5\text{mm}$
- ANGULAR ARE $\pm 0.5^\circ$ UNLESS SPECIFIED OTHERWISE.
- HOLES AND RADII $\pm 0.5\text{mm}$ UNLESS SPECIFIED OTHERWISE.
3. NO DEVIATION FROM DRAWING WILL BE ACCEPTED WITHOUT PRIOR WRITTEN APPROVAL.
4. DO NOT SCALE FROM DRAWINGS. USE DIMENSIONS PROVIDED IF THIS IS INSUFFICIENT OR AMBIGUOUS CONTACT GOLD COAST CITY COUNCIL FOR CLARIFICATION.

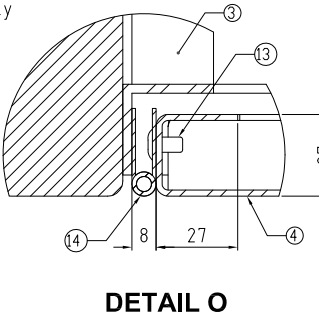
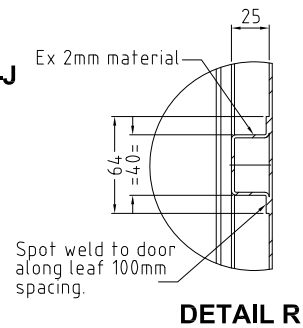
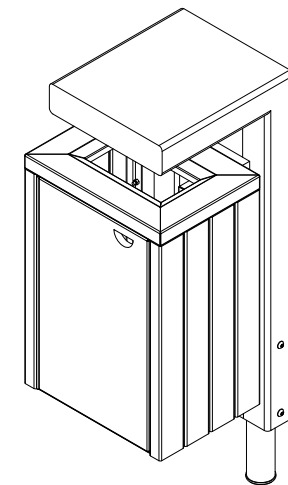
STAINLESS STEEL FABRICATION NOTES:

1. FABRICATION SHOULD ONLY BE PERFORMED IN AN AREA, AND WITH EQUIPMENT, THAT IS NOT CONTAMINATED WITH FERROUS METAL.
2. ALL EDGES TO BE DEBURRED AND FREE OF SHARP PROTRUSIONS.
3. ALL STRUCTURAL WELDS TO AS 1554.
4. ALL STANDARD SECTIONS TO BE DOCKED AT 90° UNLESS STATED OTHERWISE.
5. CERTIFICATES OF CONFORMITY MUST ACCOMPANY ANY MATERIALS USED IN THE FABRICATION PROCESS.

NOTE:- THIS DRAWING HAS BEEN SOURCED FROM HUBB STREET EQUIPMENT. THIS DRAWING IS NOT DRAWN TO GCCC STANDARD T.P.R GUIDELINES.



PARTS LIST				
NO.	TITLE	MATERIAL	DRAWING #	Qty
1	Back	316g S/S Bead Blast Electropolished	-	1
2	Chute	316g S/S Bead Blast Electropolished	-	1
3	Internal Frame	316g S/S Bead Blast Electropolished	-	1
4	Bin Door	316g S/S Bead Blast Electropolished	-	1
5	Spigot	Mild Steel Hot Dipped Galvanised	05-533	2
6	Waterside Slat	Spotted Gum	05-532	8
7	14g x 32 Csk Hex Pin Security Woodscrew	304 S/S	-	42
8	M8 x 25 Csk Torx Pin Security Screw	304 S/S	-	10
9	M12 x 25 Button Hex Pin Security Screw	304 S/S	-	8
10	M8 x 12 Grub Screw	304 S/S	-	2
11	M8 Nylock Nut	304 S/S	-	10
12	M6 Nylock Nut	304 S/S	-	1
13	Rivet 5mm	304 S/S	-	13
14	Winder 501518 Continuous Hinge	304 S/S	-	2
15	Plastic Latch - Male	Nylon	-	1
16	Plastic Latch - Female	Nylon	-	1



NOTE: SLAT ATTACHMENT Use a jig or spacers to allow correct and even spacing of the slats. Position slats and pilot ($\phi 3.5\text{mm}$) hole before securing with fasteners. Always predrill Timber Slats before fastening. Mount slats centre down.



THIS DRAWING IS NOT TO BE AMENDED WITHOUT REFERENCE TO STANDARDS COMMITTEE		CONTROLLED DOCUMENT	DO NOT SCALE TAKE FIGURED DIMENSIONS ONLY	STANDARD DRAWING	MICROFILMED
No.	AMENDMENT	APPROVED	DATE	ISSUED	STANDARD DRAWING No. 13-05-528
					ISSUE 2013 EDITION

DRAFTING BY: TECHNICAL SERVICES BRANCH
 PASSED - COORDINATOR OPEN SPACE ASSETS
 SIGNED: CAMERON TAYLOR DATE: 6/12/12
 APPROVED - MANAGER PARKS & RECREATIONAL SERVICES
 SIGNED: RON JACOBS DATE: 6/12/12

STANDARD DRAWING
WATERSIDE SUITE - 80L BIN
 THIS DRAWING HAS BEEN SOURCED FROM HUBB STREET EQUIPMENT DRAWING NUMBERS 7432.901 TO 7432.938

STANDARD DRAWING No. 13-05-528
 ISSUE 2013 EDITION