

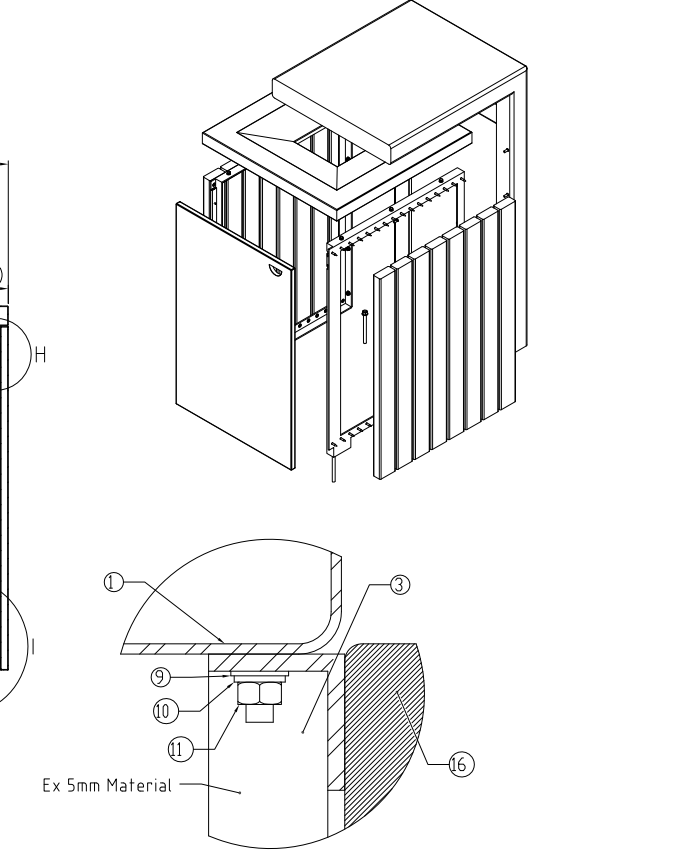
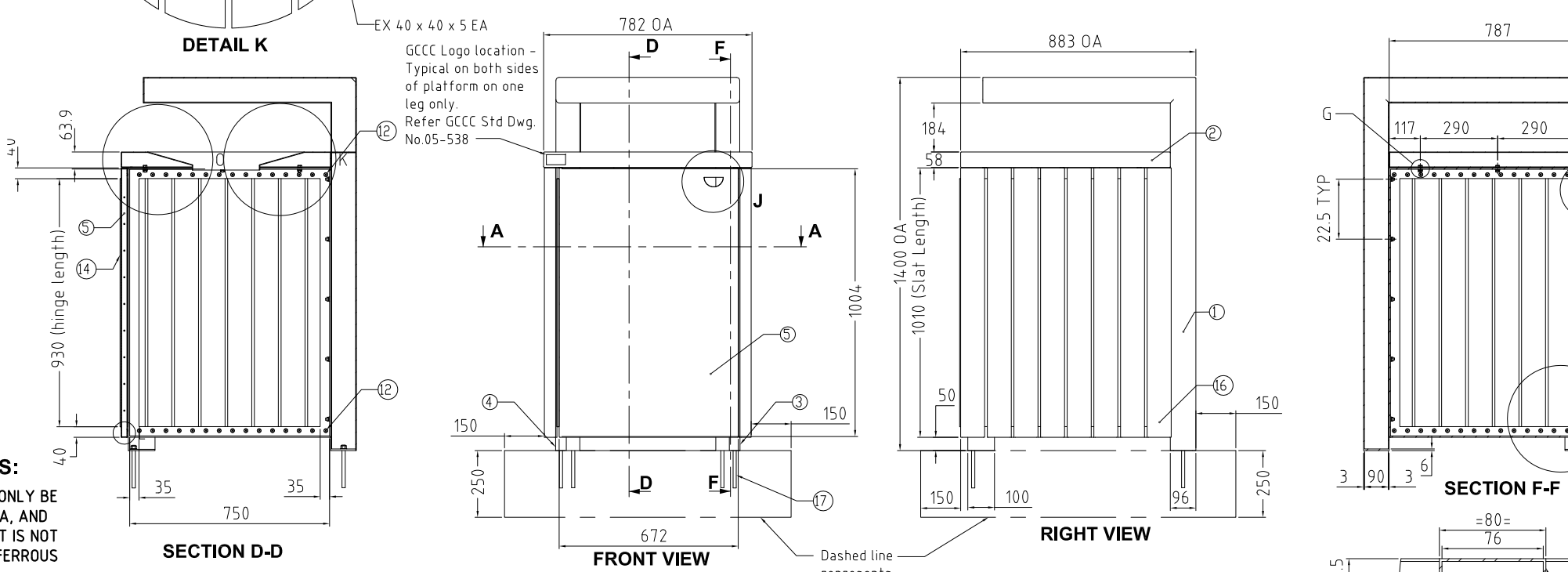
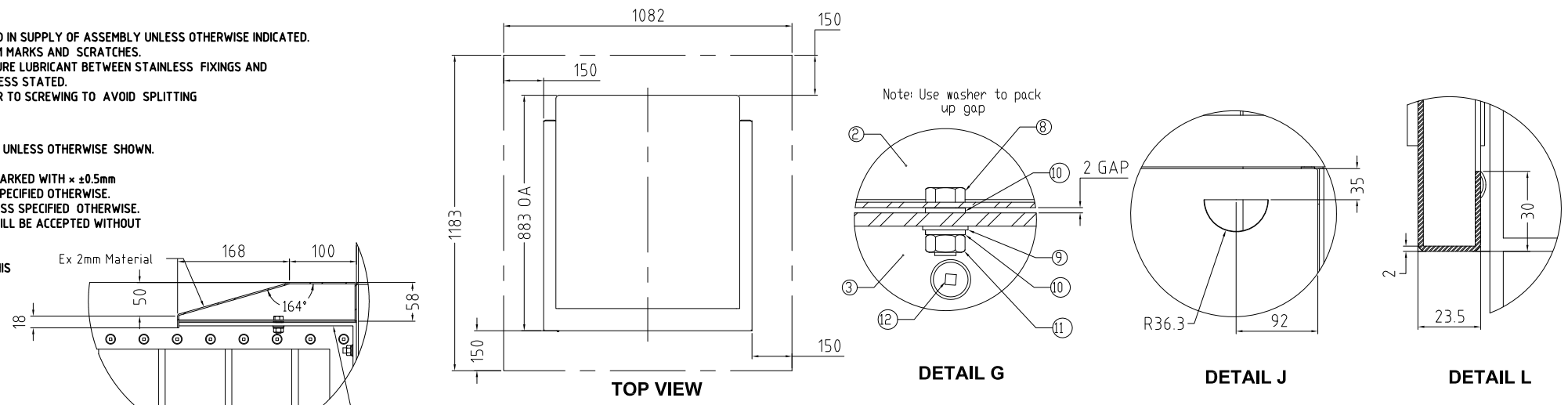
**ASSEMBLY NOTES:**

1. ALL FASTENERS TO BE INCLUDED IN SUPPLY OF ASSEMBLY UNLESS OTHERWISE INDICATED.
2. ALL SURFACES TO BE FREE FROM MARKS AND SCRATCHES.
3. USE A NICKEL BASED ANTI-SEIZURE LUBRICANT BETWEEN STAINLESS FIXINGS AND TAPPED STAINLESS STEEL UNLESS STATED.
4. PRE DRILL WOODEN SLATS PRIOR TO SCREWING TO AVOID SPLITTING

**GENERAL NOTES:**

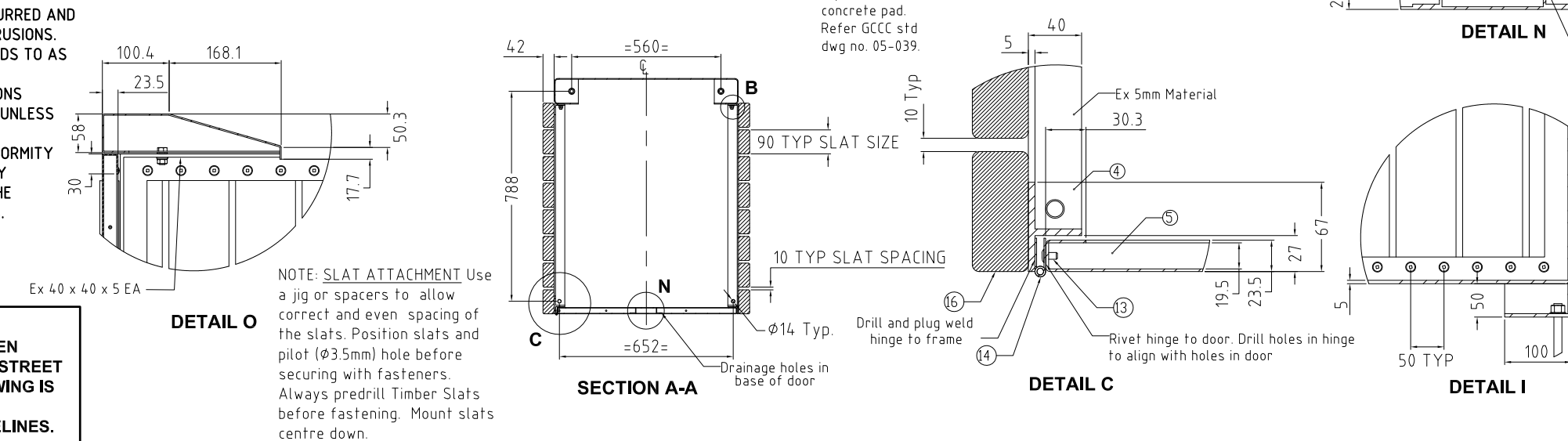
1. ALL DIMENSIONS IN MILLIMETRES UNLESS OTHERWISE SHOWN.
2. TOLERANCES:  
- LINEAR ARE  $\pm 1.0\text{mm}$  UNLESS MARKED WITH  $\times \pm 0.5\text{mm}$   
- ANGULAR ARE  $\pm 0.5^\circ$  UNLESS SPECIFIED OTHERWISE.  
- HOLES AND RADII  $\pm 0.5\text{mm}$  UNLESS SPECIFIED OTHERWISE.
3. NO DEVIATION FROM DRAWING WILL BE ACCEPTED WITHOUT PRIOR WRITTEN APPROVAL.  
DO NOT SCALE FROM DRAWINGS.
4. USE DIMENSIONS PROVIDED IF THIS IS INSUFFICIENT OR AMBIGUOUS CONTACT GOLD COAST CITY COUNCIL FOR CLARIFICATION.

PARTS LIST				
NO.	TITLE	MATERIAL	DRAWING #	QTY.
1	Back	316 Stainless Steel	-	1
2	Chute	316 Stainless Steel	-	1
3	Right Frame	316 Stainless Steel	-	1
4	Left Frame	316 Stainless Steel	-	1
5	Door	316 Stainless Steel	-	1
6	Plastic Latch - Male	Nylon	-	1
7	Plastic Latch - Female	Nylon	-	1
8	M8 Hex Bolt	304 Stainless Steel	-	6
9	M8 Flat Washer	304 Stainless Steel	-	16
10	M8 Split Washer	304 Stainless Steel	-	22
11	M8 Hex Nut	304 Stainless Steel	-	16
12	14g x 32 Csk Square Socket woodcrew	304 Stainless Steel	-	64
13	Rivet 5mm	304 Stainless Steel	-	9
14	Windeyer 5015S18 Continuous Hinge	304 Stainless Steel	P/N: 5015S18	1
16	Waterside Slaf	Spotted Gum	05-532	16
17	M12 Chemset Rod and Nut	M12 x 250 HILTI HAS System	-	4



**STAINLESS STEEL FABRICATION NOTES:**

1. FABRICATION SHOULD ONLY BE PERFORMED IN AN AREA, AND WITH EQUIPMENT, THAT IS NOT CONTAMINATED WITH FERROUS METAL.
2. ALL EDGES TO BE DEBURRED AND FREE OF SHARP PROTRUSIONS.
3. ALL STRUCTURAL WELDS TO AS 1554.
4. ALL STANDARD SECTIONS TO BE DOCKED AT 90° UNLESS STATED OTHERWISE.
5. CERTIFICATES OF CONFORMITY MUST ACCOMPANY ANY MATERIALS USED IN THE FABRICATION PROCESS.



**NOTE:- THIS DRAWING HAS BEEN SOURCED FROM HUBB STREET EQUIPMENT. THIS DRAWING IS NOT DRAWN TO GCCC STANDARD T.P.R GUIDELINES.**

**NOTE: SLAT ATTACHMENT** Use a jig or spacers to allow correct and even spacing of the slats. Position slats and pilot ( $\phi 3.5\text{mm}$ ) hole before securing with fasteners. Always predrill Timber Slats before fastening. Mount slats centre down.

**Gold Coast City Council**  
GOLD COAST CITY COUNCIL  
PO BOX 5042  
GOLD COAST MC 9729

THIS DRAWING IS NOT TO BE AMENDED WITHOUT REFERENCE TO STANDARDS COMMITTEE		CONTROLLED DOCUMENT	DO NOT SCALE TAKE FIGURED DIMENSIONS ONLY
DRAFTING BY TECHNICAL SERVICES BRANCH			
PASSED - COORDINATOR OPEN SPACE ASSETS			
SIGNED: CAMERON TAYLOR DATE: 6/12/12			
APPROVED - MANAGER PARKS & RECREATIONAL SERVICES			
SIGNED: RON JACOBS DATE: 6/12/12			
No.	AMENDMENT	APPROVED	DATE ISSUED

**STANDARD DRAWING**

**WATERSIDE SUITE - 240L WHEELIE BIN ENCLOSURE**

MICROFILMED  
STANDARD DRAWING No.  
**13-05-529**  
ISSUE  
**2013 EDITION**

THIS DRAWING HAS BEEN SOURCED FROM HUBB STREET EQUIPMENT DRAWING NUMBERS 7432.901 TO 7432.938