

**GENERAL NOTES:**

1. ALL DIMENSIONS IN MILLIMETRES UNLESS OTHERWISE SHOWN.
2. TOLERANCES:  
- LINEAR ARE ±1.0mm UNLESS MARKED WITH ±0.5mm  
- ANGULAR ARE ±0.5° UNLESS SPECIFIED OTHERWISE.  
- HOLES AND RADII ±0.5mm UNLESS SPECIFIED OTHERWISE.
3. NO DEVIATION FROM DRAWING WILL BE ACCEPTED WITHOUT PRIOR WRITTEN APPROVAL.
4. DO NOT SCALE FROM DRAWINGS. USE DIMENSIONS PROVIDED IF THIS IS INSUFFICIENT OR AMBIGUOUS CONTACT GOLD COAST CITY COUNCIL FOR CLARIFICATION.

**TIMBER NOTES :**

1. ALL TIMBER TO BE KILN DRIED (10-15% MOISTURE)
2. 'SELECT' GRADE, SAP FREE WOOD.
3. ALL SURFACES TO BE DRESSED IN ACCORDANCE WITH AS2796
4. ALL LENGTHS TO BE FREE FROM DEFECTS- KNOTS, WARPS, TWISTING, BENDS, HEART.
5. TOLERANCE ON DOCKING OF SPECIFIED LENGTHS ±0.5MM.
6. ALL EDGES TO BE ARRISED - EXCEPT WHERE RADII ARE INDICATED.
7. ALL TIMBER TREATMENT TO TAKE PLACE PRIOR TO FIXING.
8. ALL SURFACES TO BE TREATED.
9. CROSS GRAIN CUTS TO BE SANDED TO REMOVE BURRED EDGES.
10. MOUNT SLATS CENTRE DOWN
11. PREDRILL SLATS PRIOR TO SCREWING TO AVOID SPLITTING
12. CERTIFICATES OF SUSTAINABILITY FROM FOREST TO MILL MUST BE SUPPLIED WITH ALL TIMBER SECTIONS.
13. IMPORTED TIMBER NOT TO BE USED.

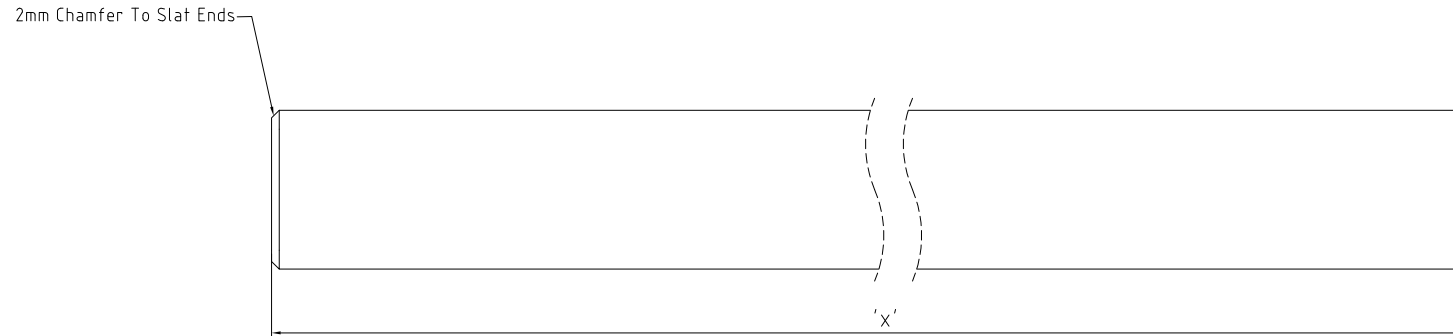
**SPA'N'DECK APPLICATION**

1. APPLY SND POWERLIFT TO DAMP TIMBER AND LEAVE ON SURFACE FOR 10 TO 15 MINUTES. DO NOT ALLOW POWERLIFT TO DRY ON SURFACE. IT IS PREFERABLE TO WASH OFF USING A POWER WASHER WITH A MINIMUM PSI OF 1,500 OR THE BEST MAINS PRESSURE AVAILABLE.
2. DILUTE SND PREP 50% WITH WATER. APPLY IMMEDIATELY AFTER THE POWERLIFT HAS BEEN REMOVED. LEAVE ON FOR 10 TO 15 MINUTES. DO NOT ALLOW TO DRY. WASH OFF WITH A POWER WASHER HAVING A MINIMUM OF 1,500 PSI OR BEST MAINS PRESSURE AVAILABLE.
3. APPLY THE FIRST COAT OF SND TO THE WET SURFACE DIRECTLY AFTER THE SND PREP HAS BEEN REMOVED, NOTE THE SURFACE MUST BE WET, JUST DAMP IS NOT ENOUGH. ALLOW TO DRY, 1 HOUR AS 25° C. APPLY THE SECOND COAT TO THE DRIED SURFACE. ALLOW TO DRY BEFORE APPLYING THE THIRD COAT.

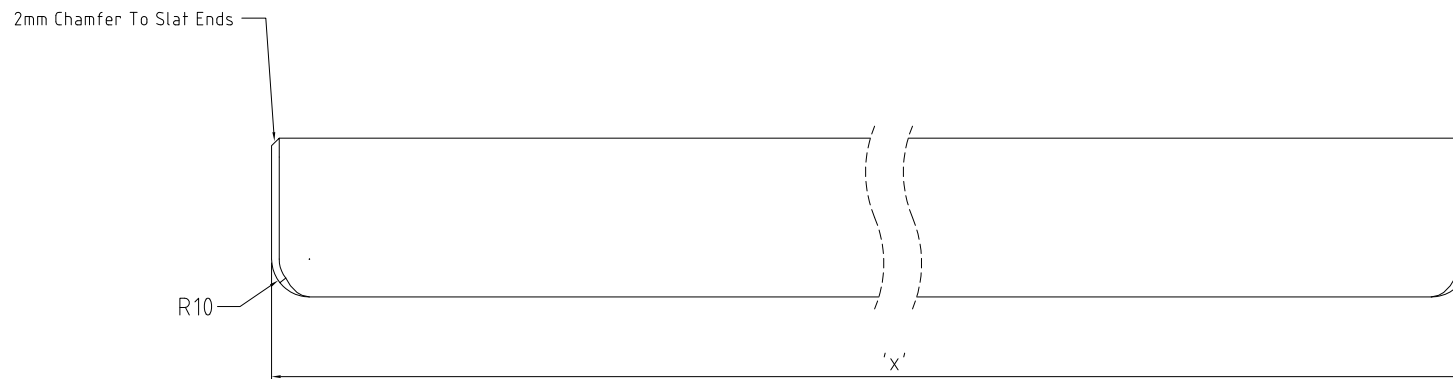
**NOTE:**  
IF USING THE SND WHITE OR DRIFTWOOD, REDUCE WITH WATER AT THE RATE OF 50% TO ALLOW CLARITY OF THE WOOD GRAIN.

**NOTE: SLAT ATTACHMENT** Use a jig or spacers to allow correct and even spacing of the slats. Position slats and pilot (Ø3.5mm) hole before securing with fasteners. Always predrill Timber Slats before fastening. Mount slats centre down.

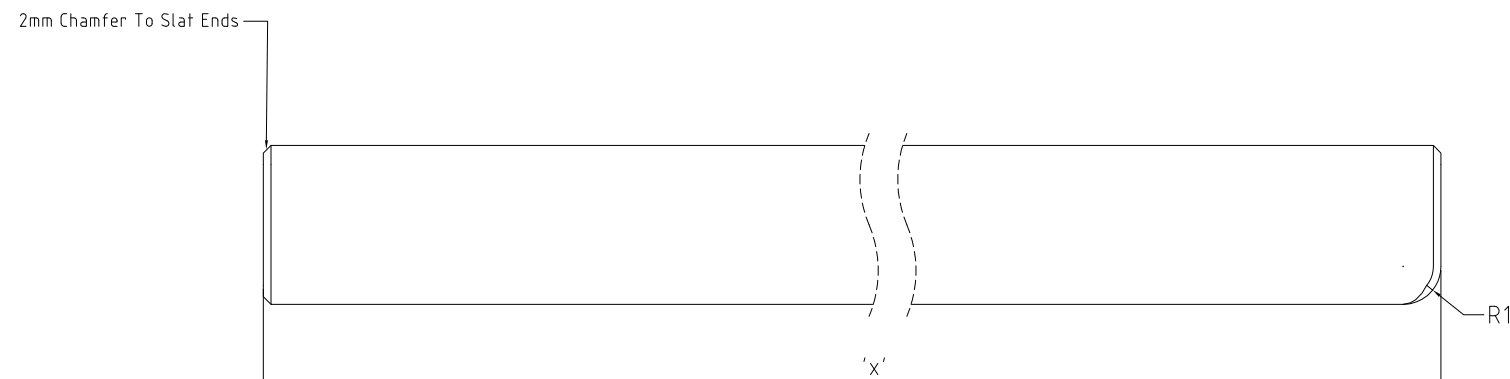
TIMBER SLAT LENGTHS		
ITEM	ELEMENT	DIM 'X'
1	Small Bin	695
2	240L Bin	1010
3	Seat	1778
4	Picnic Table	1778
5	Bench	1778
6	Picnic Platform	1778
7	Extended Picnic Table	1387
8	Extended Bench	1387



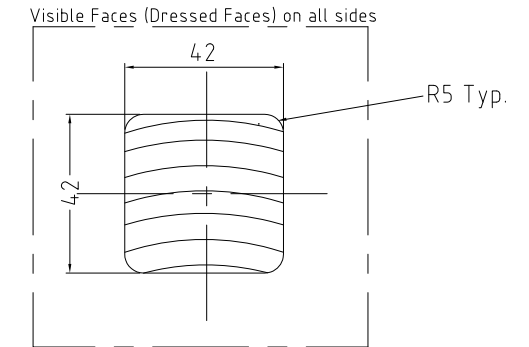
**Standard Slat**



**Special Slat**



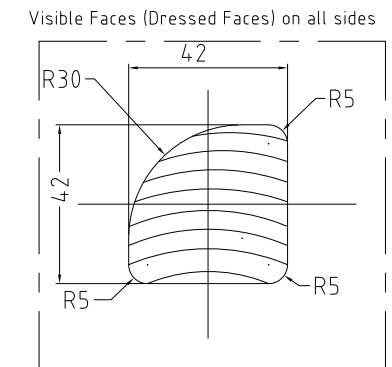
**Short Special Slat**



**Timber Profile Standard**

Scale 1:1

NOTE: Mount Slats centre down



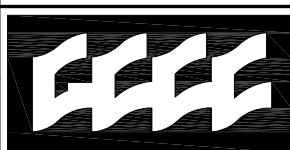
**Timber Profile Front Slat**

Scale 1:1

NOTE: Mount Slats centre down

**Material: Spotted Gum**  
**Finish: Spa'n'deck Jarrah Colour**

**NOTE:-**  
THIS DRAWING HAS BEEN SOURCED FROM HUBB STREET EQUIPMENT. THIS DRAWING IS NOT DRAWN TO GCCC STANDARD T.P.R GUIDELINES.



**Gold Coast City Council**

GOLD COAST CITY COUNCIL  
PO BOX 5042  
GOLD COAST MC 9729

THIS DRAWING IS NOT TO BE AMENDED WITHOUT REFERENCE TO STANDARDS COMMITTEE

CONTROLLED DOCUMENT

DO NOT SCALE TAKE FIGURED DIMENSIONS ONLY

**STANDARD DRAWING**

MICROFILMED

DRAFTING BY  
**TECHNICAL SERVICES BRANCH**

PASSED - COORDINATOR OPEN SPACE ASSETS  
SIGNED: CAMERON TAYLOR DATE: 6/12/12

APPROVED - MANAGER PARKS & RECREATIONAL SERVICES  
SIGNED: RON JACOBS DATE: 6/12/12

**URBAN SUITE - TIMBER SLAT**

STANDARD DRAWING No.

**13-05-530**

ISSUE

**2013 EDITION**

THIS DRAWING HAS BEEN SOURCED FROM HUBB STREET EQUIPMENT DRAWING NUMBERS 7432.901 TO 7432.938

No.	AMENDMENT	APPROVED	DATE	ISSUED