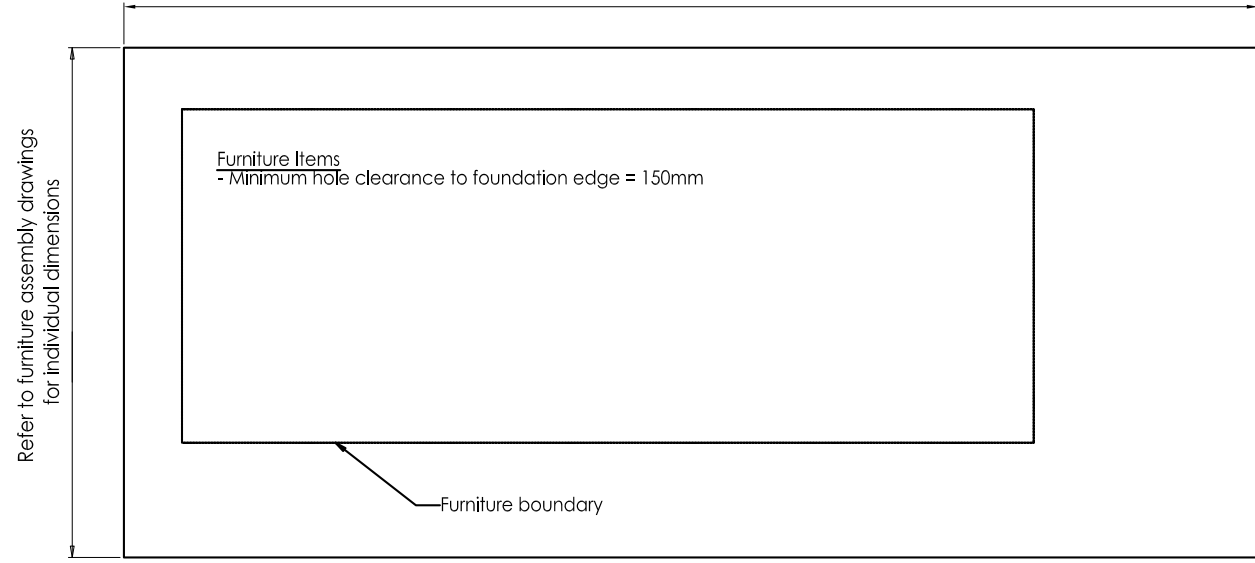
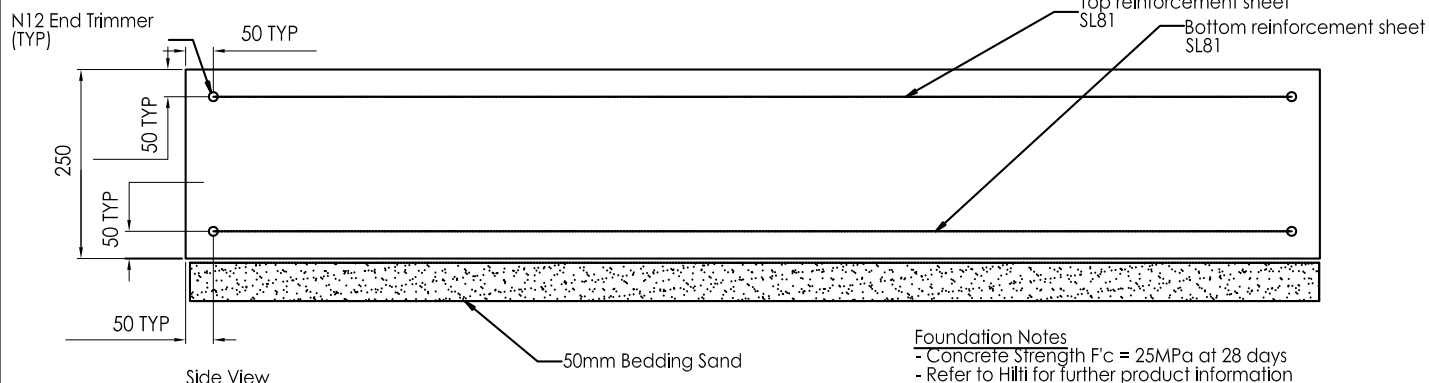


Generic Pad sizing instructions - all PADs to follow these guidelines

Refer to furniture assembly drawings for individual dimensions



Top View

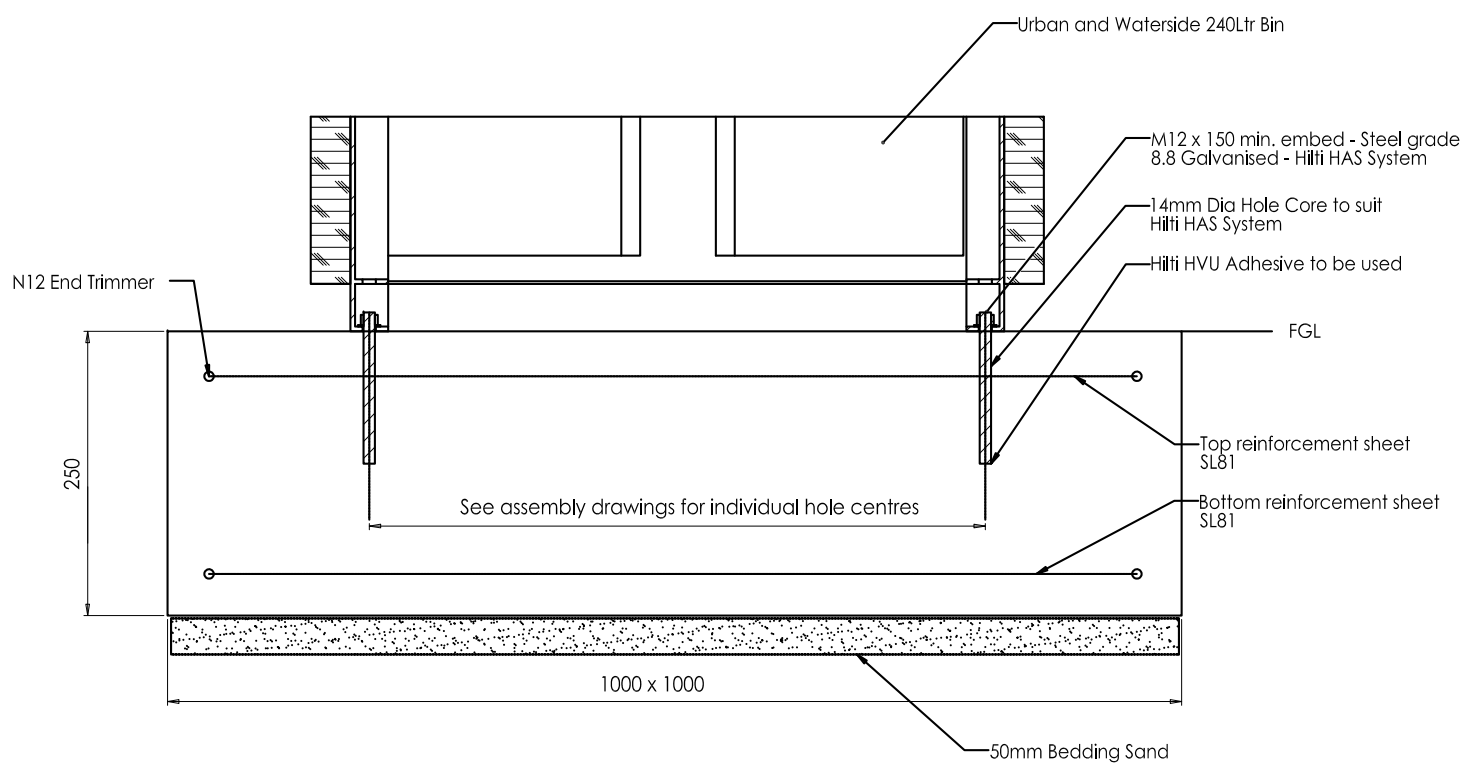


Side View

Foundation Notes
 - Concrete Strength $F_c = 25\text{MPa}$ at 28 days
 - Refer to Hilti for further product information
 - Allowable Bearing Capacity = 100KPa minimum to be confirmed by Geotech Engr. Ground to be prepared to attain a minimum bearing capacity of 100 kPa (site survey required to conform acceptability)
 - Surface to be broom swept and a 10mm cove to be applied to edges

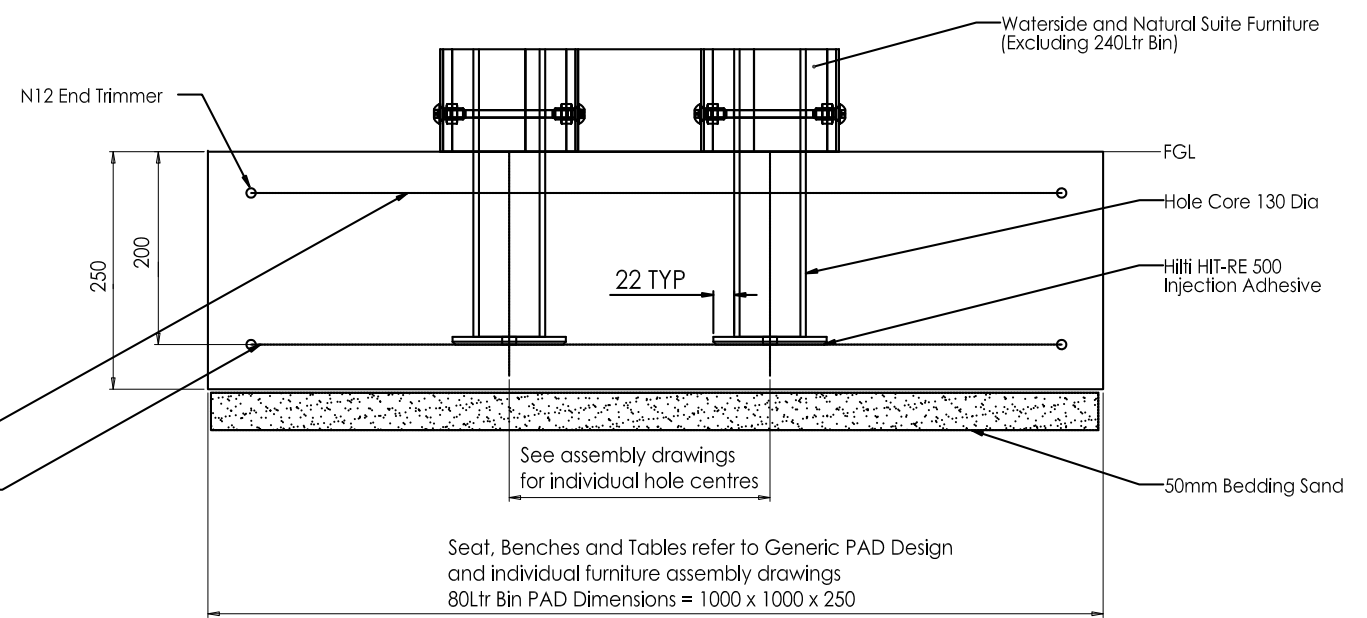
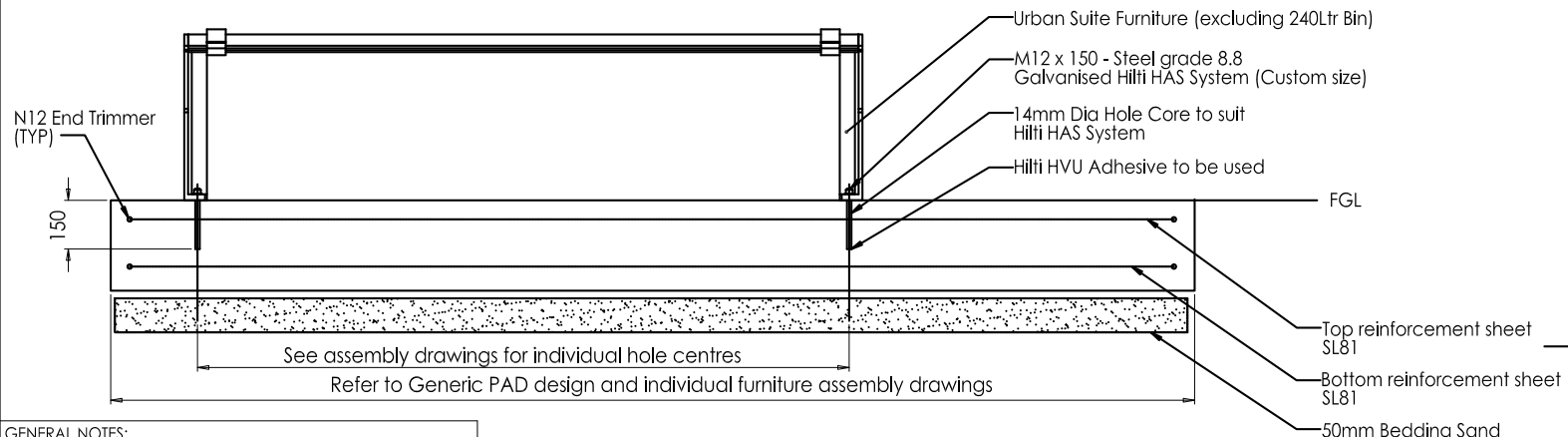
Individual suite specific PAD details

Waterside and Urban 240Ltr Bin foundation detail



Waterside and Natural Furniture, and all 80Ltr Bin foundation detail

Urban Furniture foundation detail (excludes 240Ltr and 80Ltr Bin)



GENERAL NOTES:
 1. All dimensions in millimetres unless otherwise shown.
 2. Tolerances
 - Linear are $\pm 1.0\text{mm}$ unless marked with * then $\pm 0.5\text{mm}$
 - Angular are $\pm 0.5^\circ$ unless specified otherwise.
 - Holes and radii $\pm 0.5\text{mm}$ unless specified otherwise.
 3. No deviation from drawing will be accepted without prior written approval.
 4. Do not scale from drawings. Use dimensions provided if this is insufficient or ambiguous contact HUB for clarification

<p>Gold Coast City Council GOLD COAST CITY COUNCIL PO BOX 5042 GOLD COAST MC 9729</p>	THIS DRAWING IS NOT TO BE AMENDED WITHOUT REFERENCE TO STANDARDS COMMITTEE			CONTROLLED DOCUMENT	DO NOT SCALE TAKE FIGURED DIMENSIONS ONLY	STANDARD DRAWING	MICROFILMED
					DRAFTING BY TECHNICAL SERVICES BRANCH	GENERIC FOUNDATION PAD DETAILS	STANDARD DRAWING No. 13-05-539
					PASSED - COORDINATOR OPEN SPACE ASSETS SIGNED: NAME: CAMERON TAYLOR DATE: 6/12/12		ISSUE 2013 EDITION
	No.	AMENDMENT	APPROVED	DATE	ISSUED	APPROVED - MANAGER PARKS & RECREATIONAL SERVICES SIGNED: NAME: RON JACOBS DATE: 6/12/12	THIS DRAWING HAS BEEN SOURCED FROM HUBB STREET EQUIPMENT DRAWING NUMBERS 7432.901 TO 7432.938