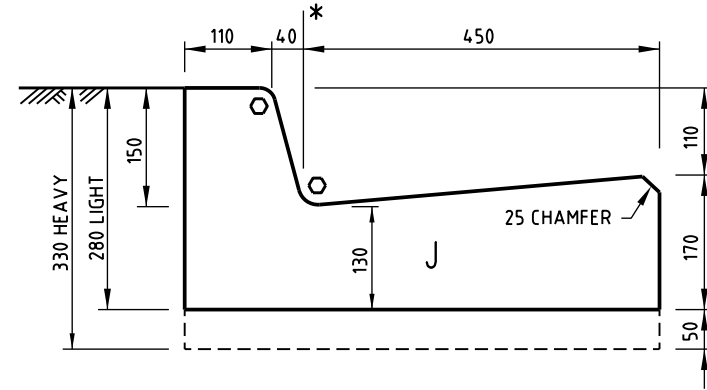
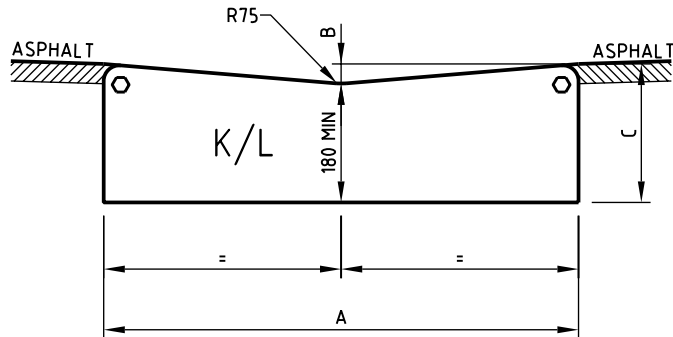


ROLL TOP KERB AND CHANNEL



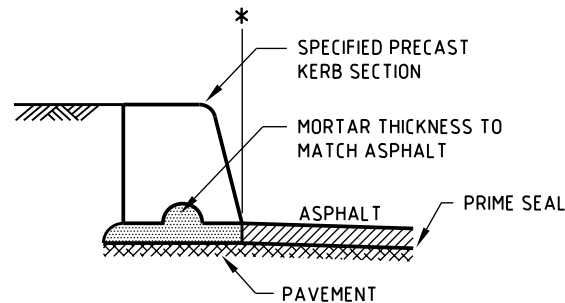
BARRIER KERB AND CHANNEL

KERB AND CHANNEL SECTIONS



CHANNEL TYPE	DIMENSION		
	A	B	C
K	600	25	200 MIN
L	900	40	220 MIN

CHANNEL SECTION



PRECAST MORTAR BED DETAIL

LEGEND:

- * NOMINAL KERB LINE
- 20 RADIUS

NOTES:

1. REFER KERB NOTES ON G.C.C.C STD. DWG. No. 05-02-101.
2. DIMENSIONS ARE IN MILLIMETRES UNLESS SHOWN OTHERWISE.



THIS DRAWING IS NOT TO BE AMENDED WITHOUT REFERENCE TO STANDARDS COMMITTEE				CONTROLLED DOCUMENT	DO NOT SCALE TAKE FIGURED DIMENSIONS ONLY	STANDARD DRAWING	MICROFILMED
No.	AMENDMENT	APPROVED	DATE	ISSUED	DRAWN BY TECHNICAL SERVICES BRANCH	KERB PROFILES PLAN 2 OF 2	STANDARD DRAWING No. 05-02-102
					PASSED <i>[Signature]</i> 18/03/04		ISSUE
					APPROVED <i>[Signature]</i> 19/03/04		2005 EDITION