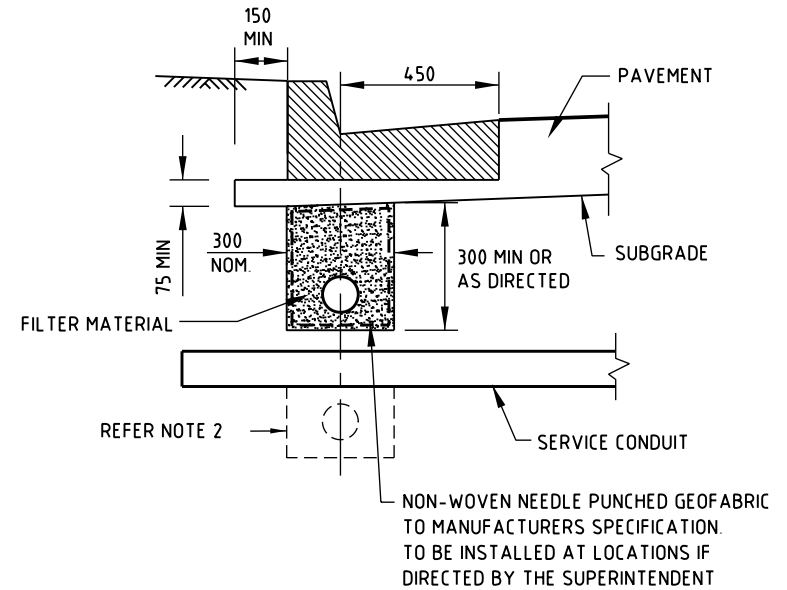
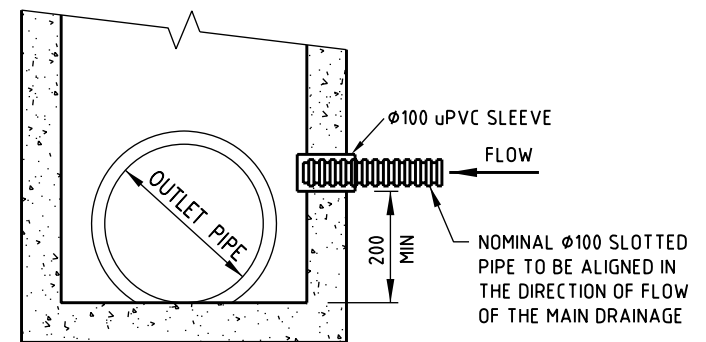


NOTES:

1. SUB-SURFACE DRAINS SHALL BE LAID A MINIMUM 300 BELOW THE SUBGRADE. WHERE A HIGH WATER TABLE IS PRESENT DEEPER SUB-SURFACE DRAINS IN COMBINATION WITH MITRE DRAINS MAY BE SPECIFIED.
2. SUB-SURFACE DRAINS TO BE LAID TO A MINIMUM GRADE 1 IN 100 UNLESS OTHERWISE APPROVED. WHERE ROAD GRADING ALLOWS, THE SPACE BETWEEN THE INVERT OF THE SERVICE CONDUIT AND THE OVERTOP OF THE SUB-SURFACE DRAIN SHALL BE 50.
3. SELECTED FILTER MATERIAL TO BE CLEAN AGGREGATE GRADED 10 TO 20.
4. FLUSHING POINTS ARE TO BE CONSTRUCTED AT THE HEAD OF LINES WITH CLEANING JUNCTIONS AT MAXIMUM 50m CENTRES IMMEDIATELY BEHIND KERB.
5. SUB-SURFACE DRAINS SHOULD GENERALLY OUTLET AT STORMWATER GULLY PITS AT A LEVEL ABOVE THE TOP HALF OF THE OUTLET PIPE. (REFER TO DETAIL)
6. PIPES TO BE SLOTTED POLYETHYLENE CLASS 400 TO AS2439 AND FITTINGS TO BE uPVC SEWER FITTINGS CLASS SH TO AS 1260.
7. FOR MITRE DRAIN DETAILS REFER G.C.C.C. STD. DWG. No. 05-02-104.
8. DIMENSIONS ARE IN MILLIMETRES UNLESS SHOWN OTHERWISE.



TYPICAL SECTION



DRAINAGE OUTLET POINT AT GULLY PIT



THIS DRAWING IS NOT TO BE AMENDED WITHOUT REFERENCE TO STANDARDS COMMITTEE				
No.	AMENDMENT	APPROVED	DATE	ISSUED

DO NOT SCALE TAKE FIGURED DIMENSIONS ONLY	
DRAWN BY	TECHNICAL SERVICES BRANCH
PASSED	18/03/04
APPROVED	19/03/04

STANDARD DRAWING
SUB-SURFACE DRAINAGE

MICROFILMED
STANDARD DRAWING No. 05-02-103
ISSUE 2005 EDITION