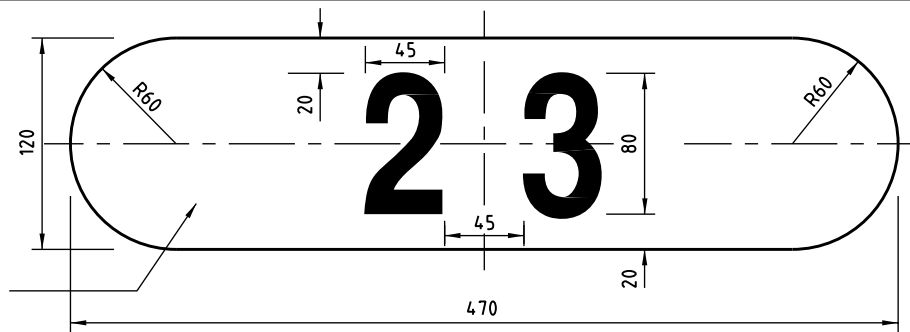
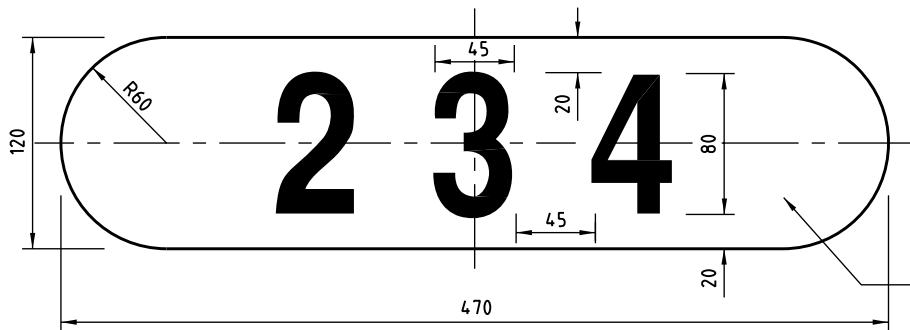


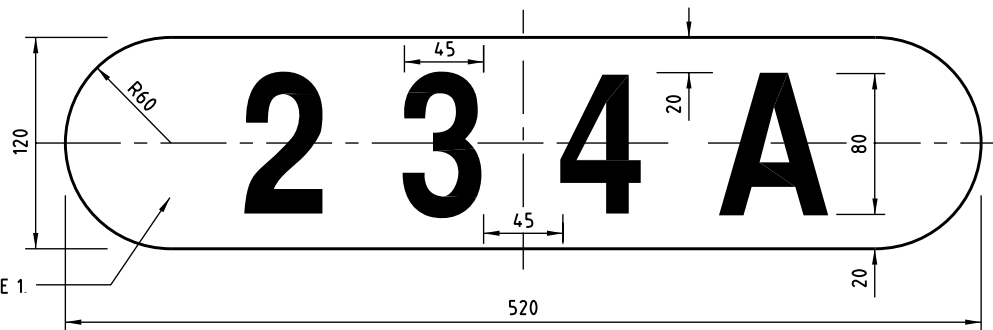
ONE CHARACTER



TWO CHARACTERS

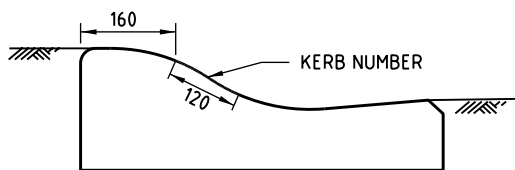


THREE CHARACTERS

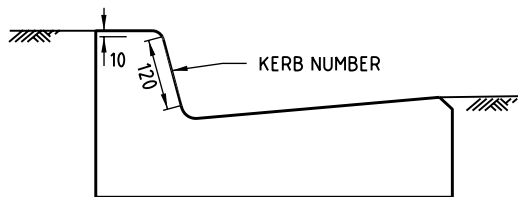


FOUR CHARACTERS

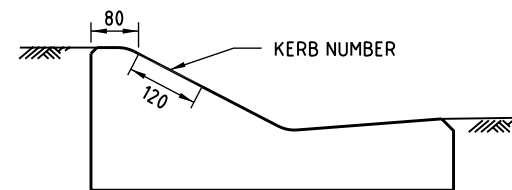
KERB NUMBERING TEMPLATES



ROLL TOP KERB & CHANNEL



BARRIER KERB & CHANNEL



LAYBACK KERB & CHANNEL

KERB NUMBERING LOCATIONS

NOTES.

1. PAINT FOR KERB NUMBERING SHALL COMPLY WITH THE FOLLOWING:

- BACKGROUND PAINT - COLOUR: Y14 GOLDEN YELLOW IN ACCORDANCE WITH AS 2700.
- TYPE: WATERBORNE PAINT IN ACCORDANCE WITH AS4049.3
- DROP ON BEADS - GLASS BEADS TO BE APPLIED TO BACKGROUND PAINT IN ACCORDANCE WITH AS2009
- CHARACTER PAINT - COLOUR: NO LIGHTER THAN B64 CHARCOAL IN ACCORDANCE WITH AS2700.
- TYPE: TWO PART HIGH BUILD RECOATABLE EPOXY.

- 2. TEMPLATE CHARACTERS ARE TO COMPLY WITH AS 1744 (SERIES 'D').
- 3. THE KERB NUMBERS ARE TO BE PAINTED ON THE KERB AT THE APPROACH SIDE OF DRIVEWAYS OR, WHERE THERE IS NO DRIVEWAY, AT THE CENTRE OF THE PROJECTION OF THE LOT BOUNDARIES.
- 4. ALL DIMENSIONS ARE IN MILLIMETRES UNLESS SHOWN OTHERWISE.



THIS DRAWING IS NOT TO BE AMENDED WITHOUT REFERENCE TO STANDARDS COMMITTEE				CONTROLLED DOCUMENT
No.	AMENDMENT	APPROVED	DATE	ISSUED

DO NOT SCALE TAKE FIGURED DIMENSIONS ONLY	
DRAWN BY	TECHNICAL SERVICES BRANCH
PASSED	18 /03 /04
APPROVED	19 /03 /04

STANDARD DRAWING	
KERB NUMBERING	

MICROFILMED
STANDARD DRAWING No. 05-02-105
ISSUE 2005 EDITION