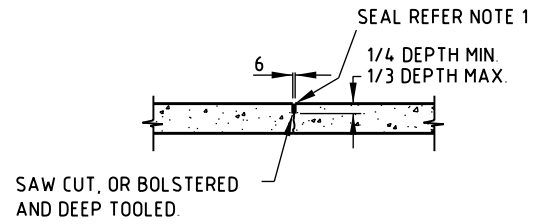
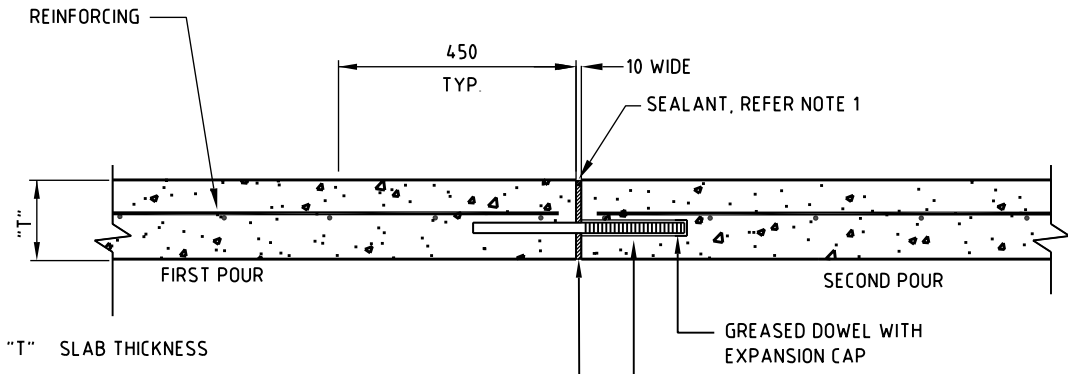


CONTROL JOINT DETAIL (CJ)
(3m MAX. SPACING)



CONTROL JOINT
UNREINFORCED CONCRETE (CJU)
(FOR 1200 WIDE FOOTPATHS)



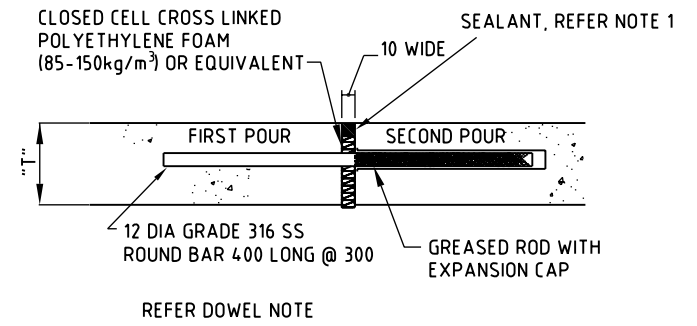
DOWELLED EXPANSION JOINT DETAIL (DEJ)
(12m MAX. SPACING)

DOWEL NOTE:

- GREASE DOWEL IN SECOND POUR.
- ENSURE DOWELS ARE STRAIGHT, PERPENDICULAR TO JOINT AND CAPPED. (USE OF PROPRIETARY SLEEVE MAY BE REQUIRED)
- DO NOT DISPLACE DURING POUR.

INSTALL GRADE 316 S/S DOWELS, 400mm LONG AT 600mm CENTRES. DOWELS $\phi 12$ IN SLAB THICKNESS 100 AND LESS $\phi 16$ IN SLAB THICKNESS 125 AND ABOVE.

CLOSED CELL CROSS LINKED POLYETHYLENE FOAM (85-150kg/m³) OR EQUIVALENT



DOWELLED EXPANSION JOINT
UNREINFORCED CONCRETE (DEJU)
(FOR 1200 WIDE FOOTPATHS)

- NOTES**
1. EXPANSION JOINTS AND CONTROL JOINTS ARE TO BE SEALED WITH A LOW MODULUS SELF PRIMING SEALANT TO THE MANUFACTURERS SPECIFICATION. THE COLOUR OF THE SEALANT IS TO MATCH THE ADJOINING SURFACE FINISH.
 2. JOINT SPACING FOR 1200 WIDE FOOTPATHS ARE TO BE PROVIDED AS SHOWN ON GCCC STD DWG 05-02-201.
 3. ALL CONSTRUCTION TO COMPLY WITH THE REQUIREMENTS OF AS 3600, CONCRETE CODE.
 4. DIMENSIONS ARE IN MILLIMETRES UNLESS SHOWN OTHERWISE.



THIS DRAWING IS NOT TO BE AMENDED WITHOUT REFERENCE TO STANDARDS COMMITTEE				CONTROLLED DOCUMENT	DO NOT SCALE TAKE FIGURED DIMENSIONS ONLY	STANDARD DRAWING	MICROFILMED
No.	AMENDMENT	APPROVED	DATE	ISSUED	DRAWN BY TECHNICAL SERVICES BRANCH		STANDARD DRAWING No. 05-02-205
					PASSED <i>[Signature]</i> 18/03/04	CONCRETE JOINTS	ISSUE 2005 EDITION
					APPROVED <i>[Signature]</i> 19/03/04		

