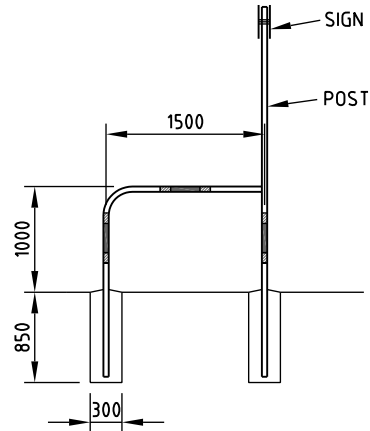


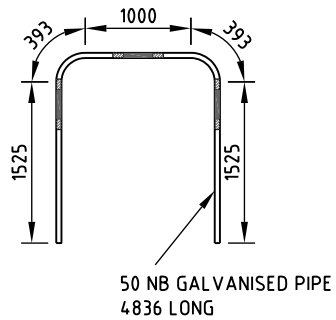
**ELEVATION
STAND ALONE**



**ELEVATION
INCORPORATING SIGN**

NOTES:

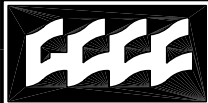
1. CONCRETE FOOTINGS TO BE GRADE N25 (AS 1379)
2. GALVANISED STEEL TUBE TO BE IN ACCORDANCE WITH AS 1163
3. ALL UNITS TO BE GALVANISED AFTER FABRICATION
4. UNITS TO BE FINISHED WITH TWO COATS OF TWO PACK 125 MICRON MINIMUM TOTAL THICKNESS (eg WATTYL PARACRYL OR EQUIVALENT PROCESS). COLOUR TO BE YELLOW
5. REFLECTIVE TAPE TO BE CLASS 2 (AS 1906.1)
6. RAILS TO BE LOCATED IN ACCORDANCE WITH AUSTRROADS "GUIDE TO TRAFFIC ENGINEERING PRACTICE PART 14 BICYCLES"
7. DIMENSIONS ARE IN MILLIMETRES UNLESS SHOWN OTHERWISE



BENDING DETAIL



REFLECTIVE TAPE DETAIL



Gold Coast City Council
GOLD COAST CITY COUNCIL
PO BOX 5042
GOLD COAST MC 9729

THIS DRAWING IS NOT TO BE AMENDED WITHOUT REFERENCE TO STANDARDS COMMITTEE

CONTROLLED DOCUMENT

DO NOT SCALE
TAKE FIGURED DIMENSIONS ONLY

STANDARD DRAWING

MICROFILMED

DRAWN BY	TECHNICAL SERVICES BRANCH
PASSED	18/03/04
APPROVED	19/03/04

**BICYCLE PATH ENTRANCE
HOLDING RAIL**

STANDARD DRAWING No.
05-02-403

ISSUE
2005 EDITION

No.	AMENDMENT	APPROVED	DATE	ISSUED