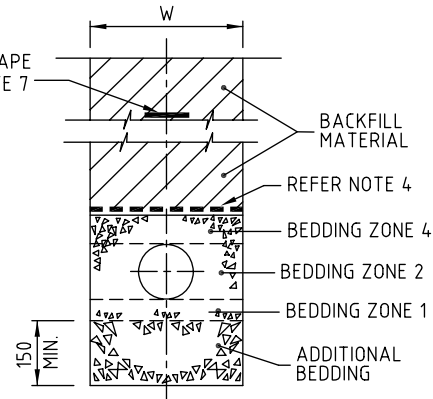
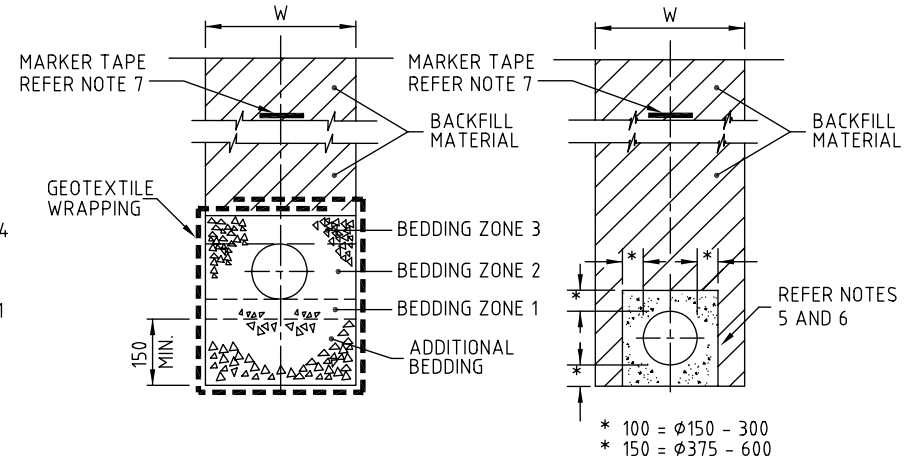


TYPE 1 CONSTRUCTION



TYPE 2 CONSTRUCTION

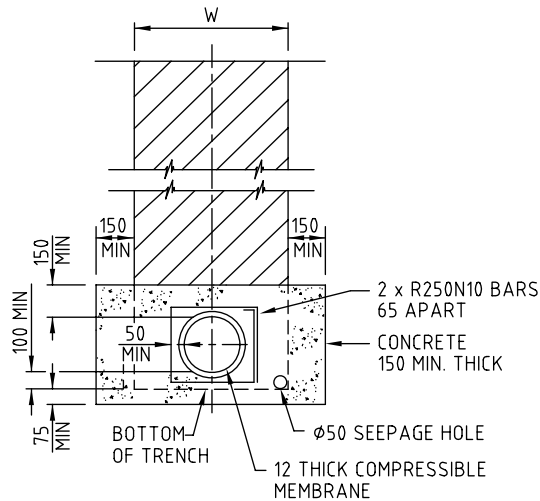
FOR DETAILS OF BEDDING ZONES 1, 2 AND 3 REFER TO TYPE 1 CONSTRUCTION.



TYPE 3 CONSTRUCTION

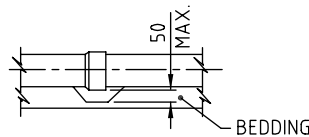
FOR DETAILS OF BEDDING ZONES 1, 2 AND 3 REFER TO TYPE 1 CONSTRUCTION.

TYPE 4 CONSTRUCTION



CONCRETE BULKHEADS

REFER NOTE 2



HANDHOLES

PIPE NOM. DIA. d	GRAVITY & PRESSURE TRENCH WIDTH W
100	450
150	450
225	600
300	750
375	850
450	950
525	1050
600	1150

NOTES:

- FOR EXCAVATION, BEDDING AND BACKFILL REQUIREMENTS REFER COUNCIL'S STANDARD SPECIFICATION SS 1.
- CONCRETE BULKHEADS SHALL BE PROVIDED FOR GRADES STEEPER THAN 15% ADJOINING EACH PIPES SOCKET. WHERE GRADES EXCEED 29%, THE SPACING IN METRES, SHALL BE CALCULATED BY DIVIDING 100 BY THE GRADE (%).
- CONCRETE IN BULKHEADS IS TO BE GRADE N20.
- WHERE BACKFILL IS CLASSIFIED AS SAND (BY THE SUPERINTENDENT) A GEOTEXTILE BARRIER SHALL BE PROVIDED AT THE INTERFACE OF BEDDING ZONE 3 AND BACKFILL.
- THE PIPE SHALL BE WRAPPED WITH DENSO TAPE OR SIMILAR OR UPVC SLEEVED AND TAPED FOR THE EXTENT OF CONCRETE SURROUND.
- A SHORT PIPE 500 LONG SHALL BE INSTALLED IMMEDIATELY UPSTREAM AND DOWNSTREAM OF THE ENCASED SECTION OF PIPELINE.
- THE ALIGNMENT OF ALL PIPES SHALL BE DEFINED BY A CREAM MARKER TAPE BURIED AT A DEPTH OF 300mm MINIMUM. THE TAPE SHALL CONTAIN A CONTINUOUS METAL STRIP AND STATE SEWER.
- DIMENSIONS ARE IN MILLIMETRES UNLESS SHOWN OTHERWISE.



THIS DRAWING IS NOT TO BE AMENDED WITHOUT REFERENCE TO STANDARDS COMMITTEE

No.	AMENDMENT	APPROVED	DATE

CONTROLLED DOCUMENT

DO NOT SCALE TAKE FIGURED DIMENSIONS ONLY

DRAWN BY	PASSED	APPROVED
G.C.W	08/07/08	08/07/08
D. HAYMAN		
R. WENT		

STANDARD DRAWING

SEWER AND HOUSE CONNECTION TRENCH AND BEDDING DETAILS

TYPE 1 TO TYPE 4

MICROFILMED

STANDARD DRAWING No. 08-07-101

ISSUE 2008 EDITION