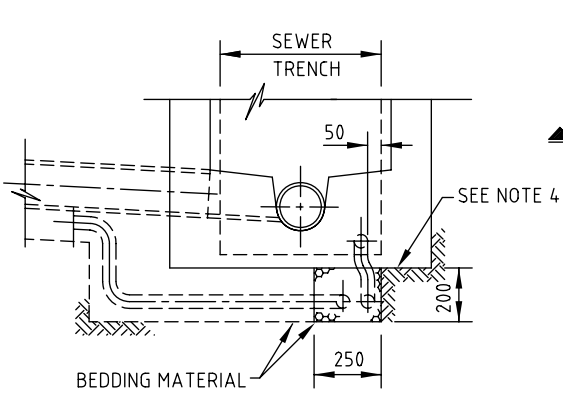
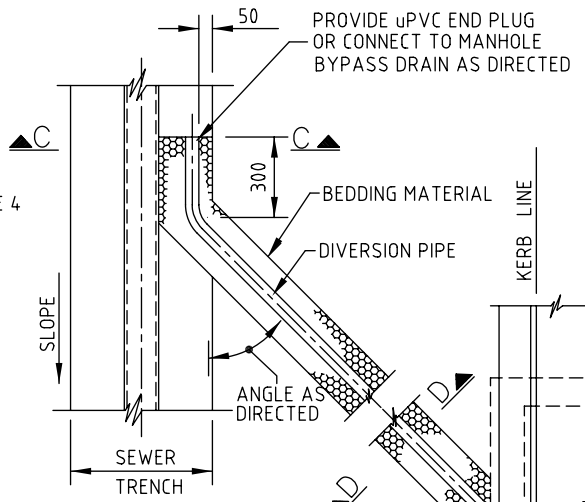


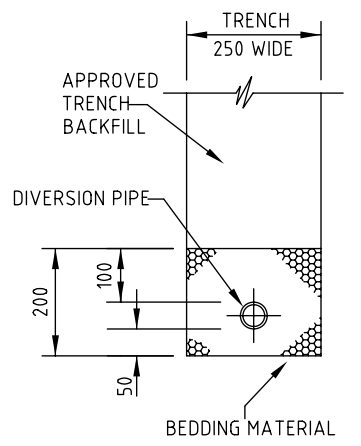
SECTION A-A



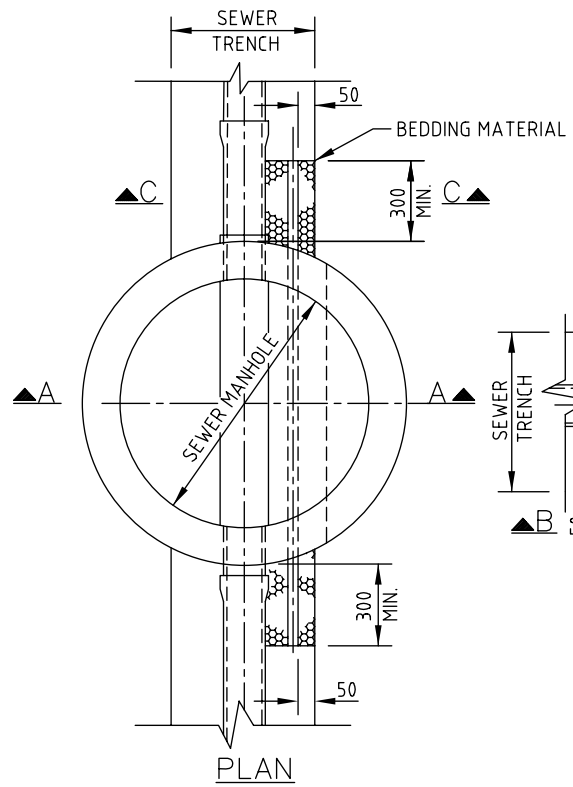
SECTION B-B



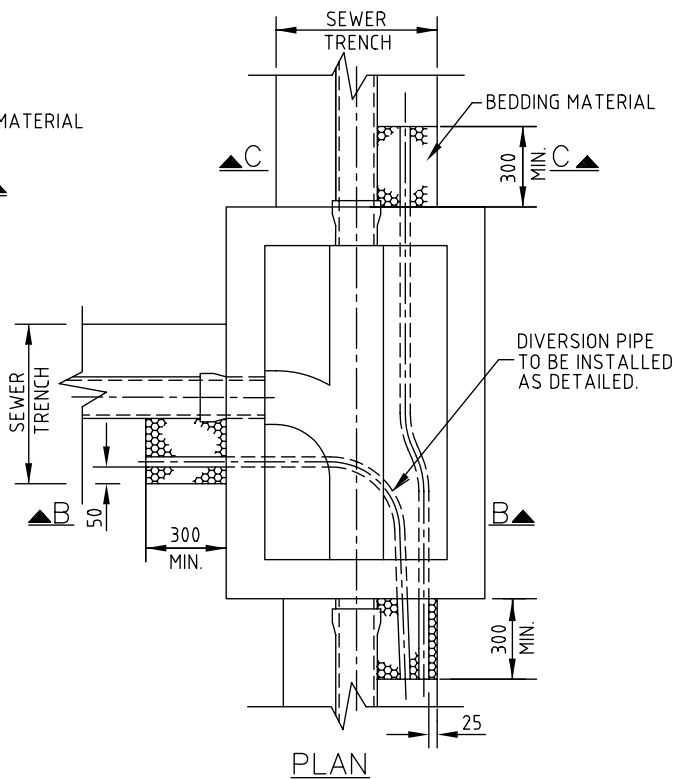
PLAN
DIVERSION DRAIN TO
STORMWATER OUTLET



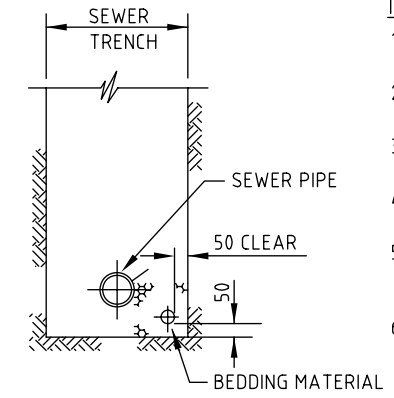
SECTION D-D
DIVERSION DRAIN
TRENCH



PLAN



PLAN



SECTION C-C

NOTES

1. DIVERSION PIPES AND FITTINGS TO BE $\phi 50$ SLOTTED POLYTHYLENE CLASS 400 TO A.S.2439.
2. FOR BEDDING MATERIAL REQUIREMENTS (GRADE 5/7) REFER COUNCIL'S STANDARD SPECIFICATION SS 1.
3. DIVERSION DRAINS ARE TO BE FITTED WITH A FILTER SLEEVE/SOCK AS DIRECTED BY THE SUPERINTENDENT.
4. VISQUEEN OR SIMILAR TO BE LAID UNDER THE LIMITS OF THE MANHOLE.
5. LOCATE THE DIVERSION PIPE CENTRALLY IN TRENCH 50 ABOVE TRENCH FLOOR. PROVIDE END CAPS AT ALL PIPE ENDS.
6. DIMENSIONS ARE IN MILLIMETRES UNLESS SHOWN OTHERWISE.



THIS DRAWING IS NOT TO BE AMENDED WITHOUT REFERENCE TO STANDARDS COMMITTEE				CONTROLLED DOCUMENT	DO NOT SCALE TAKE FIGURED DIMENSIONS ONLY
				DRAWN BY	G.C.W
				PASSED	D. HAYMAN 08/07/08
				APPROVED	R. WENT 08/07/08
No.	AMENDMENT	APPROVED	DATE	ISSUED	

STANDARD DRAWING

DRAINAGE OF SEWER TRENCHES AND DIVERSION DRAINS

MICROFILMED

STANDARD DRAWING No. 08-07-103

ISSUE 2008 EDITION