

PIPE DIA	FITTING	MAX THRUST IN kN	THRUST BLOCK HEIGHT	SOFT CLAY 50 kPa	MEDIUM CLAY SANDY LOAM 100 kPa	SAND & GRAVEL HARD CLAY 150 kPa	SAND & GRAVEL CEMENTED WITH CLAY 200 kPa	ROCK 240 kPa
100	90° BEND	14.9	400	750	●	●	●	●
	60° BEND	10.5		●	●	●	●	●
	45° BEND	8.04		●	●	●	●	●
	22.5° BEND	4.10		●	●	●	●	●
	11.25° BEND	2.06		●	●	●	●	●
	TEE OR CLOSED END	10.5		●	●	●	●	●
150	90° BEND	31.4	450	1400	700	●	●	●
	60° BEND	22.2		1000	●	●	●	●
	45° BEND	17.0		800	●	●	●	●
	22.5° BEND	8.67		●	●	●	●	●
	11.25° BEND	4.36		●	●	●	●	●
	TEE OR CLOSED END	22.2		1000	●	●	●	●
225	90° BEND	67.1	600	SPECIAL DESIGN	1150	750	●	●
	60° BEND	47.5		1600	800	●	●	●
	45° BEND	36.3		1250	650	●	●	●
	22.5° BEND	18.5		650	●	●	●	●
	11.25° BEND	9.30		●	●	●	●	●
	TEE OR CLOSED END	47.5		1600	800	●	●	●

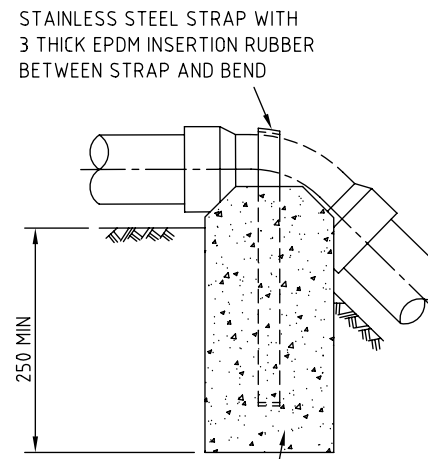
● INDICATES BLOCK LENGTH OF 600

THRUST BLOCK LENGTHS

THRUST BLOCK DIMENSIONS

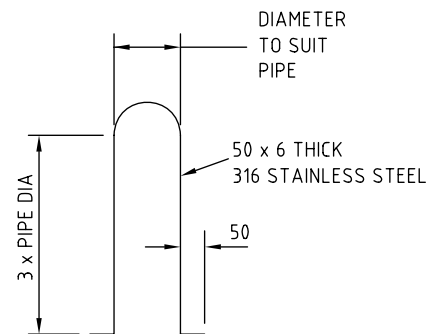
NOTES:

- ALL CONCRETE TO BE GRADE N20.
- THRUST BLOCKS SHALL BE CAST AGAINST THE UNDISTURBED SIDES OF THE TRENCH. KEEP CONCRETE CLEAR OF SOCKETS, FLANGES AND BOLTS.
- THE TABLE OF DIMENSIONS ASSUME A TEST PRESSURE OF 900 kPa. (90m HEAD). VARIATION FROM THE DIMENSIONS SHOWN WILL BE SUBJECT TO JUSTIFICATION BY CALCULATIONS.
- POLYETHYLENE SLEEVING SHALL COMPLY WITH THE REQUIREMENTS OF COUNCIL'S STANDARD SPECIFICATION SS1.
- FOR VALVE RESTRAINTS FORMATS, REFER TO G.C.C.C STD DWGS 08-06-112 & 08-06-115.
- DIMENSIONS ARE IN MILLIMETRES UNLESS SHOWN OTHERWISE.

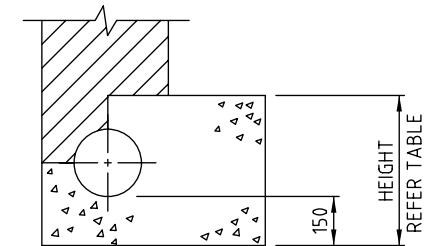


CONCRETE TO EXTEND 150 MIN INTO EACH TRENCH WALL

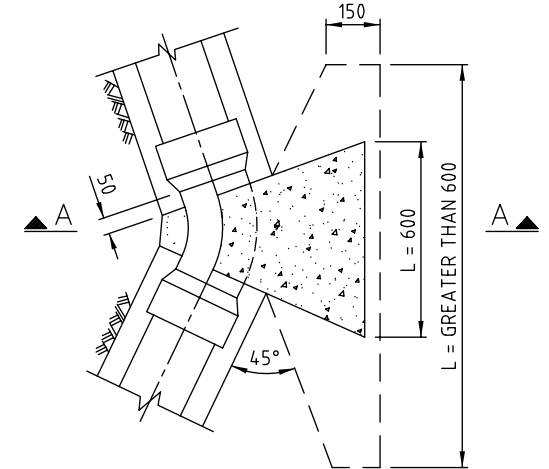
VERTICAL BENDS



SS STRAP



SECTION A-A



PLAN



Gold Coast City Council
GOLD COAST CITY COUNCIL
PO BOX 5042
GOLD COAST MC 9729

THIS DRAWING IS NOT TO BE AMENDED WITHOUT REFERENCE TO STANDARDS COMMITTEE				CONTROLLED DOCUMENT	DO NOT SCALE TAKE FIGURED DIMENSIONS ONLY
No.	AMENDMENT	APPROVED	DATE	ISSUED	

	DRAWN BY	G.C.W
	PASSED	D. HAYMAN 08/07/08
	APPROVED	R. WENT 08/07/08

STANDARD DRAWING	
SEWERAGE PRESSURE MAIN THRUST BLOCK DETAILS	

MICROFILMED
STANDARD DRAWING No. 08-07-104
ISSUE 2008 EDITION