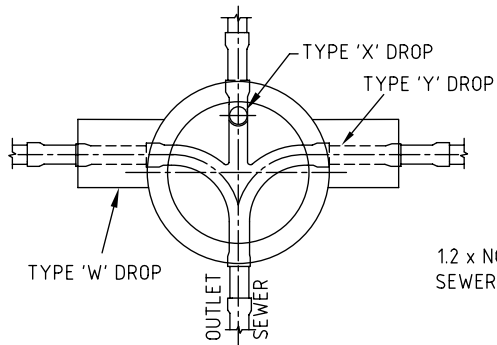
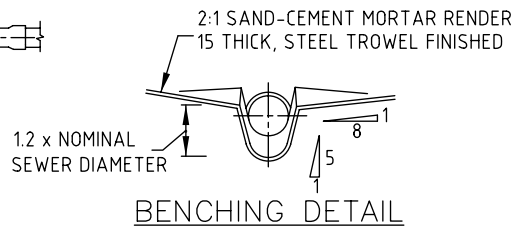


SECTIONAL ELEVATIONS

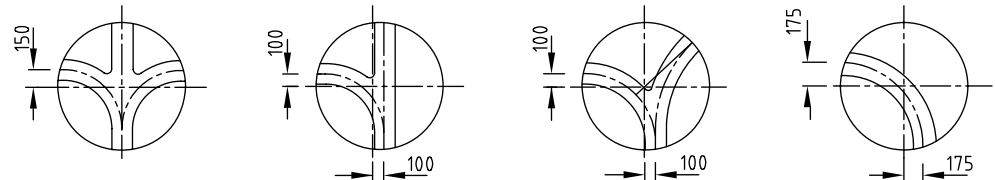
BENCHING NOT SHOWN



MANHOLE SECTIONAL PLAN



BENCHING DETAIL



SEWER OFFSETS FOR BENCHING REQUIREMENTS

MIN DROP THROUGH MANHOLE

DIMENSION 'A' TABLE

NOM DIA	TYPE 'V'		TYPE 'W'		TYPE 'X'		TYPE 'Y'	
	MIN	MAX	MIN	MAX	MIN	MAX	MIN	MAX
100	*	200	200	460	460	-	460	-
150	*	250	250	600	600	-	600	-
225	*	280	280	700	700	-	700	-
300	*	330	-	-	-	-	-	-

* MINIMUM DROP THROUGH MANHOLE AS Tabled.

MANHOLE DESCRIPTION SAME DIA's	DIAGRAM	MIN
STRAIGHT THROUGH		20
ANGLES UP TO 45°		30
ANGLES FROM 45° TO 90°		40
BRANCH AT ANGLE		
LESS THAN 30°		30
30° TO 60°		50
60° TO 90°		80

SEWERS CHANGING DIAMETER SHALL BE GRADED OBVERT TO OBVERT.

NOTES:

- THIS DRAWING SHOULD BE READ IN CONJUNCTION WITH G.C.C.C. STD. DWG. NOS. 08-07-101 & 08-07-109 TO 08-07-113.
- CONCRETE TO BE GRADE N32.
- THE COVER, FRAME AND CONCRETE SURROUND SHALL BE FINISHED TO THE DETAILS SHOWN ON G.C.C.C. STD. DWG. No 08-07-112.
- TYPE 'B' OR $\phi 1200$ PRE-CAST MANHOLES SHALL BE USED WHERE MORE THAN ONE (1) TYPE 'X' DROP ENTERS A MANHOLE OR WHERE SHOWN ON THE DRAWINGS.
- FOR IRON INSPECTION BEND DETAILS REFER G.C.C.C. STD. DWG. 08-07-120.
- FOR TYPE W & Y DROPS ALL PIPES AND FITTINGS WITH CONCRETE SURROUNDS SHALL BE MADE WATERTIGHT.
- FLEXIBLE JOINTS SHALL BE CLEAR OF ALL CONCRETE.
- TYPE 'A' AND 'B' MANHOLES ARE SUITABLE FOR DEPTHS TO 6000. FOR DEPTHS GREATER THAN 6000 REFER TO THE DETAILS ON THE APPROVED DRAWINGS.
- MANHOLE DROP TYPES 'V', 'W', 'X' AND 'Y' SHALL ONLY BE USED IN SEWERS FROM $\phi 100$ TO $\phi 225$.
- INTERNAL DROPS ARE NOT PERMITTED WITHOUT THE USE OF AN EXTERNAL L.R BEND WHERE THE SEWER GRADIENT EXCEEDS 1 IN 10 (10%).
- DIMENSIONS ARE IN MILLIMETRES UNLESS SHOWN OTHERWISE.



THIS DRAWING IS NOT TO BE AMENDED WITHOUT REFERENCE TO STANDARDS COMMITTEE

No.	AMENDMENT	APPROVED	DATE	ISSUED

CONTROLLED DOCUMENT

--

DO NOT SCALE TAKE FIGURED DIMENSIONS ONLY

DRAWN BY	G.C.W
PASSED	D. HAYMAN 08/07/08
APPROVED	R. WENT 08/07/08

STANDARD DRAWING

CIRCULAR SEWERAGE MANHOLE DROPS AND BENCHING DETAILS

MICROFILMED

STANDARD DRAWING No.	08-07-108
ISSUE	2008 EDITION