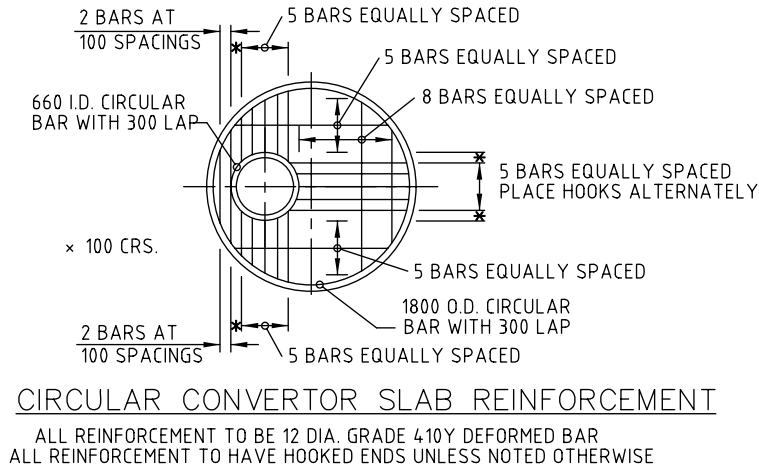


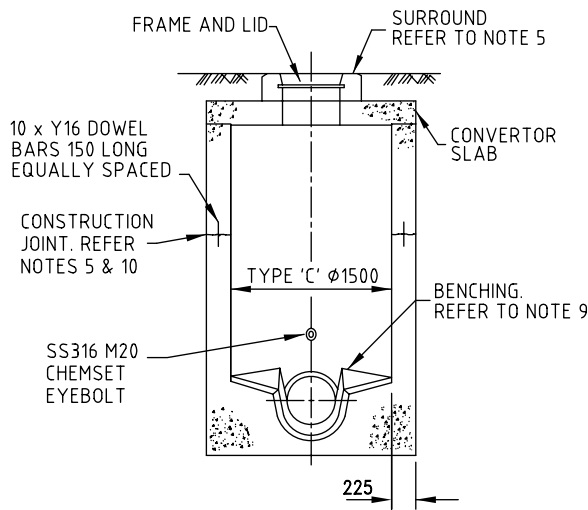
SECTION A-A



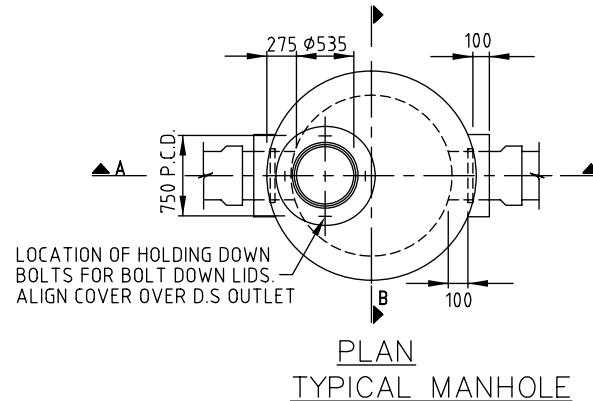
MANHOLE DESCRIPTION SAME DIA'S.	DIAGRAM	MIN.
STRAIGHT THROUGH		20
ANGLES UP TO 45°		30
ANGLES FROM 45° TO 90°		40
BRANCH AT ANGLE LESS THAN 30°		30
BRANCH AT ANGLE 30° TO 60°		50
BRANCH AT ANGLE 60° TO 90°		80

SEWERS CHANGING DIAMETER SHALL BE GRADED OBVERT TO OBVERT.

DIMENSION 'A' TABLE
MINIMUM DROPS THROUGH MANHOLE



SECTION B-B



NOTES:

1. CONCRETE TO BE GRADE N32.
2. THE LID AND CONCRETE SURROUND SHALL BE FINISHED TO THE DETAILS SHOWN ON G.C.C.C. STD. DWG. NO. 08-07-112.
3. THIS MANHOLE SHALL BE USED WHERE THE OUTLET SEWER IS EQUAL TO OR GREATER THAN 300 DIAMETER
4. HOLDING DOWN BOLTS AND STARTER BARS SHALL BE TO THE DETAILS SHOWN ON G.C.C.C STD DWG No. 08-07-111 & 08-07-112.
5. ALL PIPES, FITTINGS AND JOINT FACES SHALL BE MADE WATERTIGHT AS PER THE DETAILS SHOWN. ON G.C.C.C STD DWG No. 08-07-110 & 08-07-111.
6. FLEXIBLE JOINTS SHALL BE CLEAR OF ALL CONCRETE.
7. THIS MANHOLE IS SUITABLE FOR DEPTHS TO 6000. FOR DEPTHS GREATER THAN 6000 REFER TO THE DETAILS ON THE APPROVED DRAWINGS.
8. DIMENSIONS ARE IN MILLIMETRES UNLESS SHOWN OTHERWISE.
9. SEWER MAIN OFFSETS FOR BENCHING REQUIREMENTS AND DIMENSION 'A' DROP DETAILS, REFER TO G.C.C.C STD DWG 08-07-108 TYPE 'V' DRPS ONLY PERMITTED.
10. ALL 1500 ϕ MANHOLES SHALL BE COATED, REFER TO DETAILS ON G.C.C.C STD DWG No. 08-07-110 SEE NOTE 4.
11. ALL MANHOLES SHALL BE PROVIDED WITH A M20 EYE BOLT SET 100mm INTO WALL OPPOSITE DOWNSTREAM INLET.



GOLD COAST CITY COUNCIL
PO BOX 2042
GOLD COAST MC 9729

THIS DRAWING IS NOT TO BE AMENDED WITHOUT REFERENCE TO STANDARDS COMMITTEE

CONTROLLED DOCUMENT

DO NOT SCALE
TAKE FIGURED DIMENSIONS ONLY

STANDARD DRAWING

MICROFILMED

DRAWN BY	G.C.W
PASSED	D. HAYMAN 08/07/08
APPROVED	R. WENT 08/07/08

1500 DIAMETER
MANHOLE DETAILS

STANDARD DRAWING No.	08-07-109
ISSUE	2008 EDITION

No.	AMENDMENT	APPROVED	DATE	ISSUED
-----	-----------	----------	------	--------