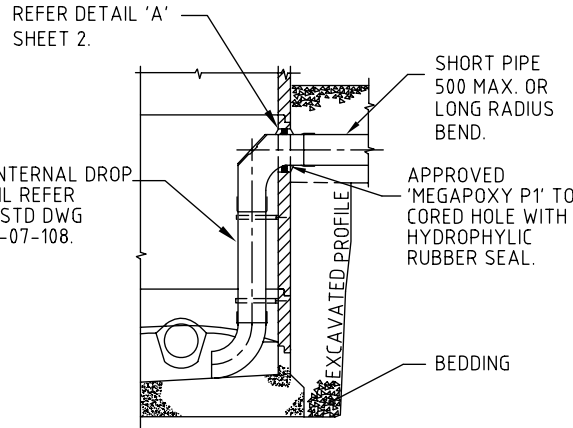
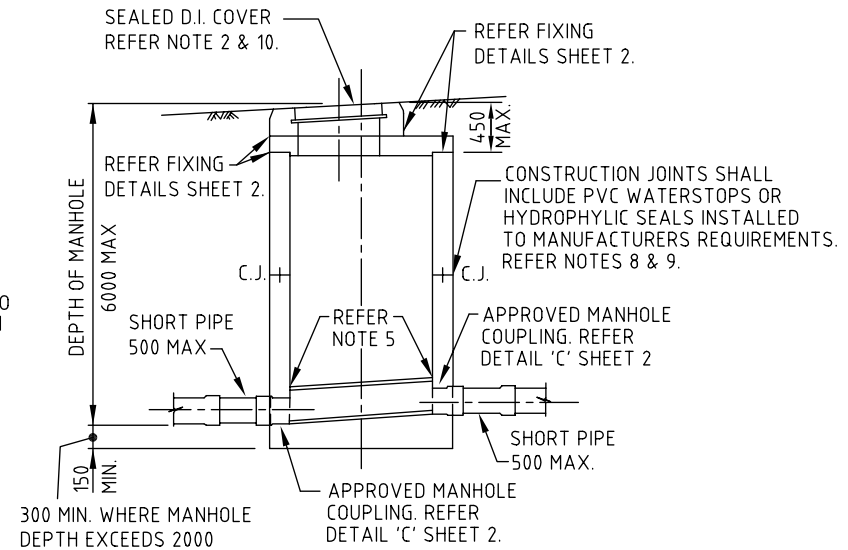


TYPICAL PRECAST MANHOLE SECTION ELEVATION
(REFER NOTE 4.)



INTERNAL DROP DETAIL
(PRECAST MANHOLE SHOWN)



TYPICAL CAST IN-SITU MANHOLE SECTION ELEVATION
(REFER NOTE 4.)

NOTES:

- THIS DRAWING SHALL BE READ IN CONJUNCTION WITH GCCC STD DRAWING No.'S 08-07-108, 08-07-109, 08-07-111 & 08-07-112.
- SURFACE/SURROUND FINISH DETAILS REFER G.C.C.C. STD. DWG. No. 08-07-112.
- HYDROPHYLIC RUBBER SEALS SHALL BE A MINIMUM OF 6 X 25 AND SHALL FULLY ENIRCLE THE PIPE FITTING WITH A MINIMUM 100mm OVERLAP THAT IS IN CONTACT WITH IT'S SELF.
- ALL CONCRETE MANHOLES WITH SEWERS EITHER 300mm DIAMETER AND LARGER OR WITH SEWERS OVER 4000 DEEP, SHALL BE COATED WITH A MATERIAL CONFORMING TO CLAUSE 35.0 OF SS.1.
- PROVIDE ROUNDED NOSING AT INLET AND OUTLET.
- WHERE FINISHED SURFACE GRADES ARE TO BE ACCOMMODATED THEN THE SQUAT CONE OR STRAIGHT BACK TAPER SHALL BE PROVIDED WITH 6 X N 12 DOWELS FOR ATTACHMENT OF CAST IN-SITU SURROUND IN ACCORDANCE WITH GCCC STD DWG NO. 08-07-111.
- TRENCH DRAINAGE SHALL CONFORM TO THE DETAILS PROVIDED ON GCCC STD DWG NO. 08-07-103.
- ALL EXISTING JOINT SURFACES TO BE WELL SCABBLD AND PRIMED WITH "BONDCRETE" PRIOR TO CAST.
- FIX AND MAKE CONTINUOUS THE HYDROPHYLIC RUBBER SEAL WITH GUN GRADE HYDROPHYLIC WATERSTOP MASTIC BEAD.
- DI COVERS AND FRAMES SHALL BE OF THE APPROPRIATE CLASS AND SHALL BE TYPE "d" SEALED SOLID-TOP IN ACCORDANCE WITH CLAUSE 15.3.1 OF AS 3996.
- ALL PRECAST SEWER MANHOLE COMPONENTS SHALL BE PROPRIETRY PRODUCTS APPROVED BY COUNCIL AND MANUFACTURED TO AS4198.
- DIMENSIONS ARE IN MILLIMETRES UNLESS SHOWN OTHERWISE.



Gold Coast City Council
GOLD COAST CITY COUNCIL
PO BOX 5042
GOLD COAST MC 9729

THIS DRAWING IS NOT TO BE AMENDED WITHOUT REFERENCE TO STANDARDS COMMITTEE				CONTROLLED DOCUMENT	DO NOT SCALE TAKE FIGURED DIMENSIONS ONLY
					DRAWN BY G.C.W
					PASSED D. HAYMAN 08/07/08
					APPROVED R. WENT 08/07/08
No.	AMENDMENT	APPROVED	DATE	ISSUED	

STANDARD DRAWING
CAST INSITU AND PRECAST CIRCULAR SEWERAGE MANHOLES TYPICAL CONSTRUCTION DETAILS SHEET 1

MICROFILMED
STANDARD DRAWING No. 08-07-110
ISSUE 2008 EDITION