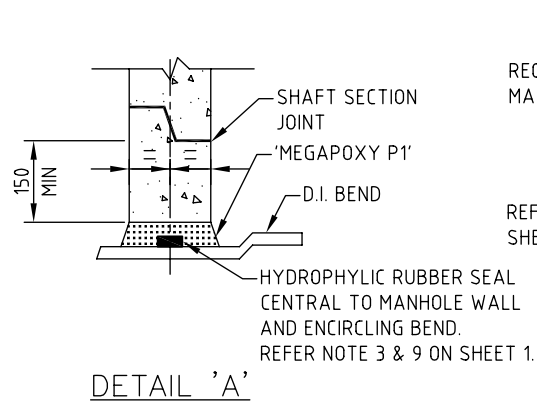
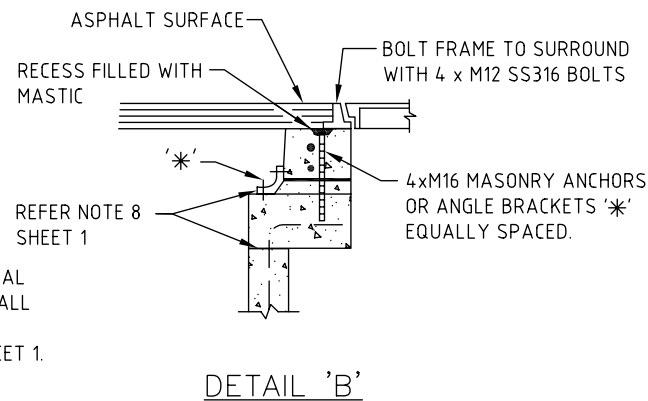


**CAST IN-SITU SURROUND AND CONVERTOR SLAB FIXING DETAILS**

(FOR FULL SLAB REINFORCEMENT DETAILS, REFER GCCC STD DWG No.08-07-112)

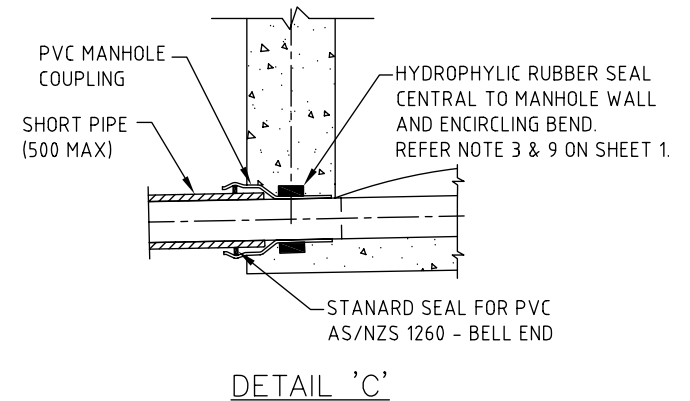


**DETAIL 'A'**



**DETAIL 'B'**

(BOLT DOWN FRAME WITH PRECAST SURROUND IN ROADWAY)



**DETAIL 'C'**

**NOTES:**  
REFER DWG 08-07-110



**Gold Coast City Council**  
GOLD COAST CITY COUNCIL  
PO BOX 5042  
GOLD COAST MC 9729

|  |           |          |      |        |                                 |  |                  |                                   |
|--|-----------|----------|------|--------|---------------------------------|--|------------------|-----------------------------------|
| THIS DRAWING IS NOT TO BE AMENDED WITHOUT REFERENCE TO STANDARDS COMMITTEE |           |          |      |        | CONTROLLED DOCUMENT             | DO NOT SCALE<br>TAKE FIGURED DIMENSIONS ONLY   | STANDARD DRAWING | MICROFILMED                       |
| No.  | AMENDMENT | APPROVED | DATE | ISSUED | DRAWN BY<br>G.C.W               | CAST INSITU<br>CIRCULAR SEWERAGE MANHOLES<br>TYPICAL CONSTRUCTION DETAILS<br>SHEET 2 |                  | STANDARD DRAWING No.<br>08-07-111 |
|  |           |          |      |        | PASSED<br>D. HAYMAN<br>08/07/08 |  |                  | ISSUE                             |
|  |           |          |      |        | APPROVED<br>R. WENT<br>08/07/08 |  |                  | 2008 EDITION                      |

|  |  |  |  |  |  |  |  |  |
|--|--|--|--|--|--|--|--|--|
|  |  |  |  |  |  |  |  |  |
|--|--|--|--|--|--|--|--|--|

|  |  |  |  |  |  |  |  |
|--|--|--|--|--|--|--|--|
| STANDARD DRAWING   |  |  |  |  |  |  |  |
| CAST INSITU<br>CIRCULAR SEWERAGE MANHOLES<br>TYPICAL CONSTRUCTION DETAILS<br>SHEET 2 |  |  |  |  |  |  |  |

|                                   |
|-----------------------------------|
| MICROFILMED                       |
| STANDARD DRAWING No.<br>08-07-111 |
| ISSUE                             |
| 2008 EDITION                      |