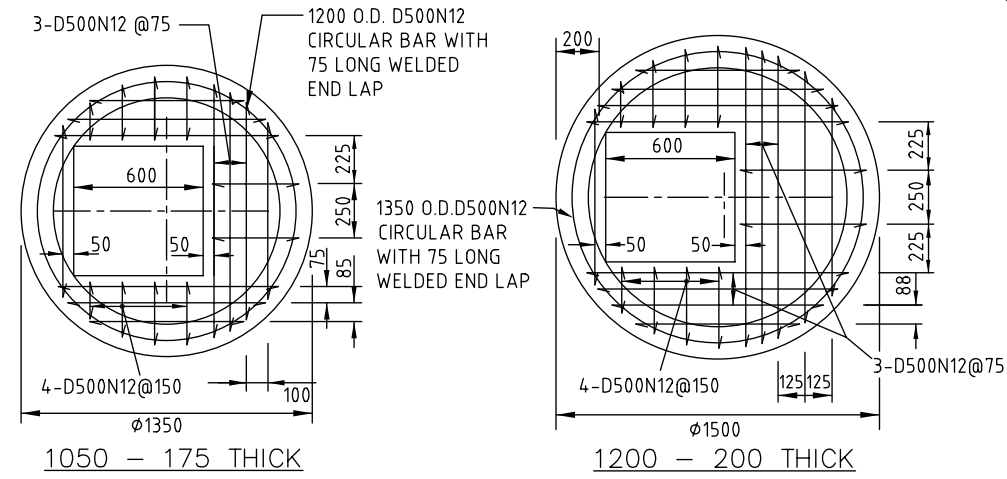
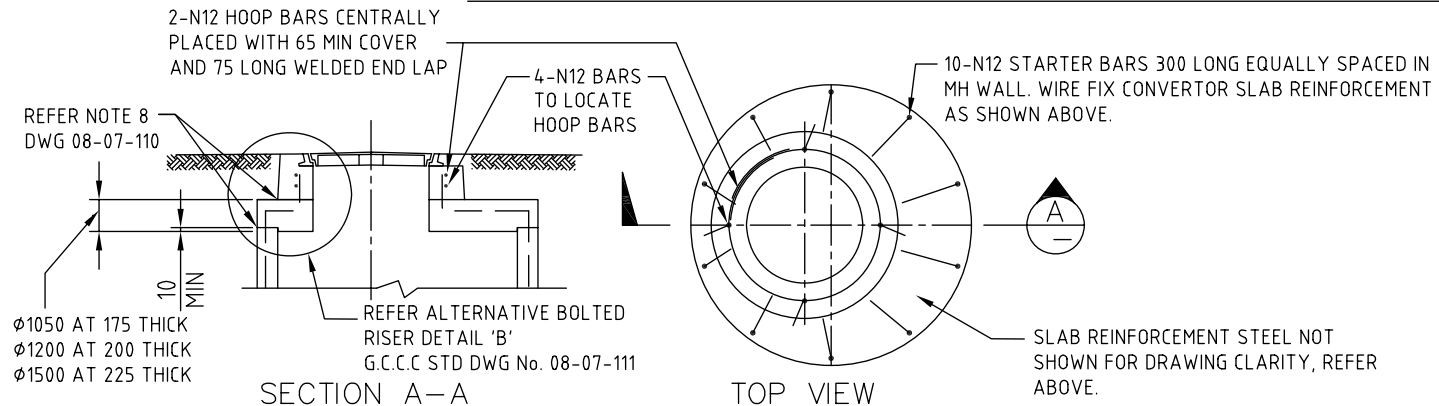


CIRCULAR CONVERTOR SLABS

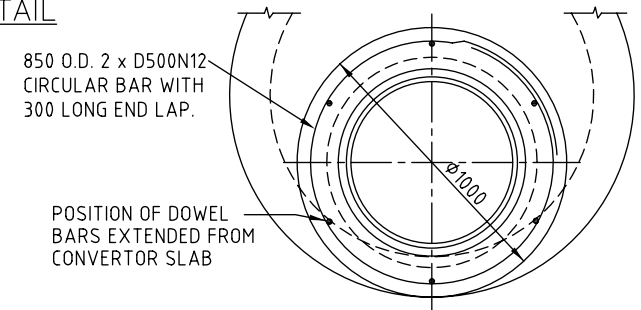


SQUARE CONVERTOR SLABS

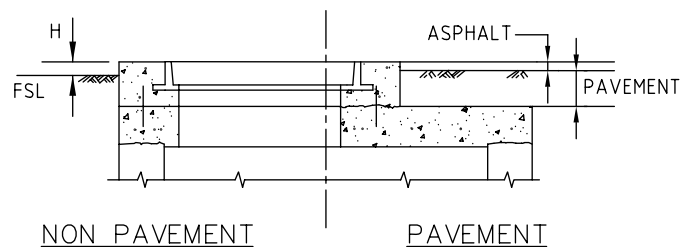
CONVERTOR SLAB REINFORCEMENT FOR CIRCULAR MANHOLE DETAIL



CAST IN-SITU SURROUND AND CONVERTOR SLAB FIXING DETAILS



SURROUND REINFORCEMENT AND ATTACHMENT DETAIL



TYPICAL SURROUND FINISH DETAILS

MANHOLE LOCATION	'H'
PAVEMENTS & FOOTPATHS	FLUSH
UNDEVELOPED AREAS	300
NEW SUBDIVISIONS	50
EXISTING DEVELOPED AREAS	25

SURROUND AND COVER FINISHED LEVELS

NOTES:

1. THIS DRAWING SHOULD BE READ IN CONJUNCTION WITH G.C.C.C. STD. DWGS. 08-07-108 TO 08-07-113 & 08-07-121.
2. ALL INSITU CONCRETE SHALL BE GRADE N32.
3. REINFORCING BARS TO BE TO AS/NZS 4671:2001 WITH 50 COVER BOTTOM FACE.
4. SQUARE CONVERTOR SLABS SHALL BE CONSTRUCTED WHERE DEPTH OF MANHOLE IS LESS THAN 1200.
5. ALL JOINT FACES SHALL BE WELL SCABBLED AND MADE WATERTIGHT.
6. ALIGN COVER OVER D.S OUTLET.
7. DIMENSIONS ARE IN MILLIMETRES UNLESS SHOWN OTHERWISE.



THIS DRAWING IS NOT TO BE AMENDED WITHOUT REFERENCE TO STANDARDS COMMITTEE				CONTROLLED DOCUMENT	DO NOT SCALE TAKE FIGURED DIMENSIONS ONLY
No.	AMENDMENT	APPROVED	DATE	ISSUED	DRAWN BY G.C.W
					PASSED D. HAYMAN 08/07/08
					APPROVED R. WENT 08/07/08

STANDARD DRAWING

CIRCULAR SEWERAGE MANHOLE CONVERTOR SLAB AND SURROUND DETAILS

MICROFILMED

STANDARD DRAWING No.
08-07-112

ISSUE
2008 EDITION