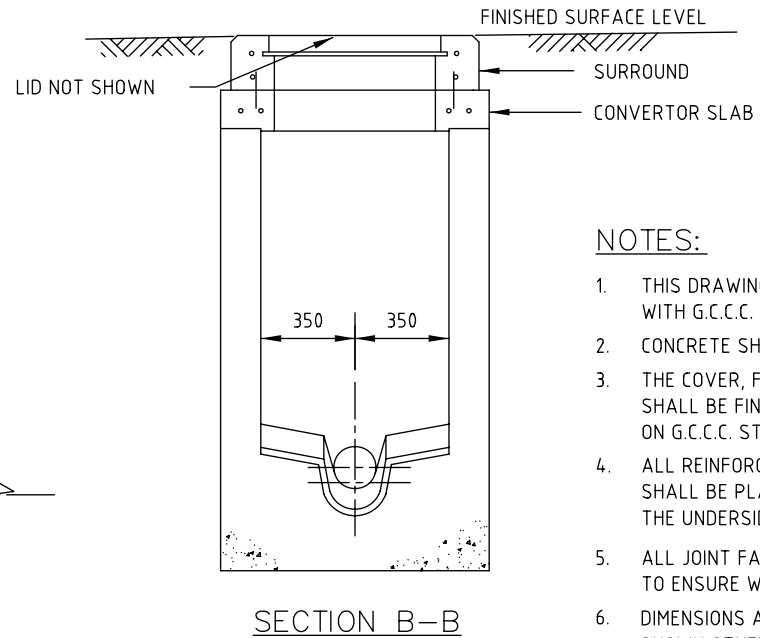
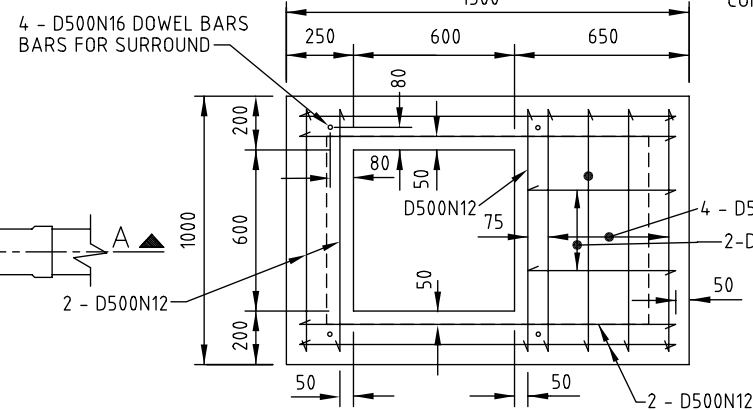
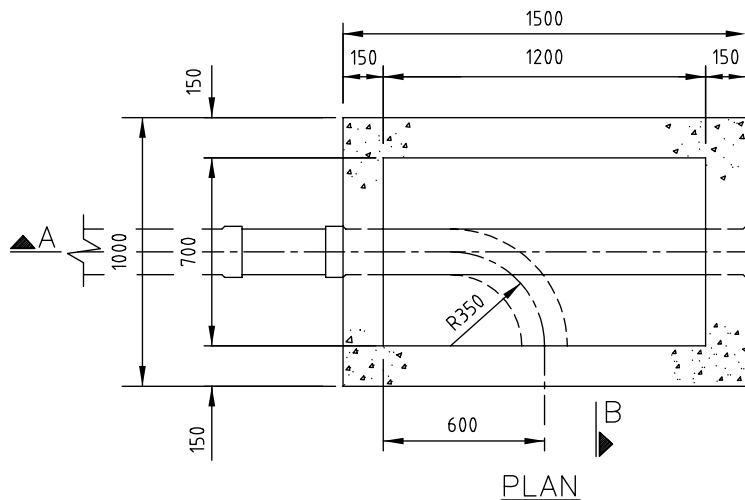


\* 150 - FOR MANHOLES TO 2m DEPTH  
300 - FOR MANHOLES GREATER THAN 2m DEPTH

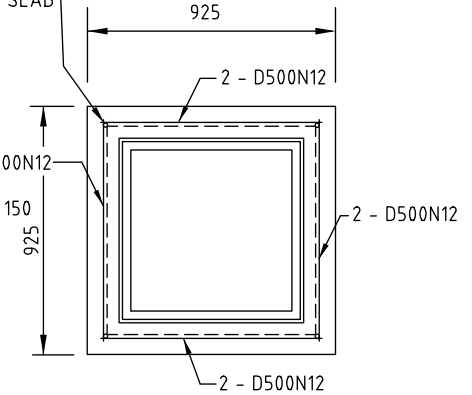


**NOTES:**

1. THIS DRAWING SHOULD BE READ IN CONJUNCTION WITH G.C.C.C. STD. Nos. 08-07-108 & 08-07-121.
2. CONCRETE SHALL BE GRADE N32.
3. THE COVER, FRAME AND CONCRETE SURROUND SHALL BE FINISHED TO THE DETAILS SHOWN ON G.C.C.C. STD. DWG. No. 08-07-112.
4. ALL REINFORCING BARS IN THE TOP SLAB SHALL BE PLACED TO HAVE 50 COVER TO THE UNDERSIDE OF THE SLAB.
5. ALL JOINT FACES SHALL BE WELL SCABBLED TO ENSURE WATERTIGHT JOINTS.
6. DIMENSIONS ARE IN MILLIMETRES UNLESS SHOWN OTHERWISE.



POSITION OF DOWEL BARS EXTENDED FROM CONVERTOR SLAB



THIS DRAWING IS NOT TO BE AMENDED WITHOUT REFERENCE TO STANDARDS COMMITTEE			
No.	AMENDMENT	APPROVED	DATE

CONTROLLED DOCUMENT
ISSUED

DO NOT SCALE TAKE FIGURED DIMENSIONS ONLY	
DRAWN BY	G.C.W
PASSED	D. HAYMAN 08/07/08
APPROVED	R. WENT 08/07/08

<b>STANDARD DRAWING</b>
RECTANGULAR SEWERAGE MANHOLE - TYPE 'F'

MICROFILMED
STANDARD DRAWING No. 08-07-113
ISSUE 2008 EDITION