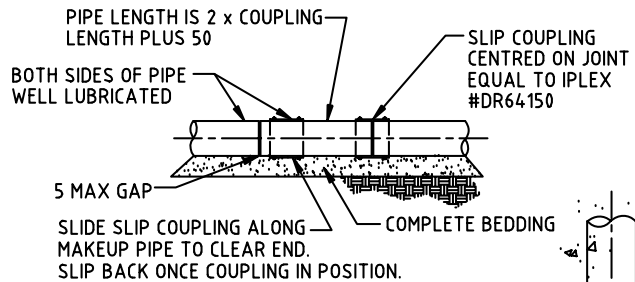


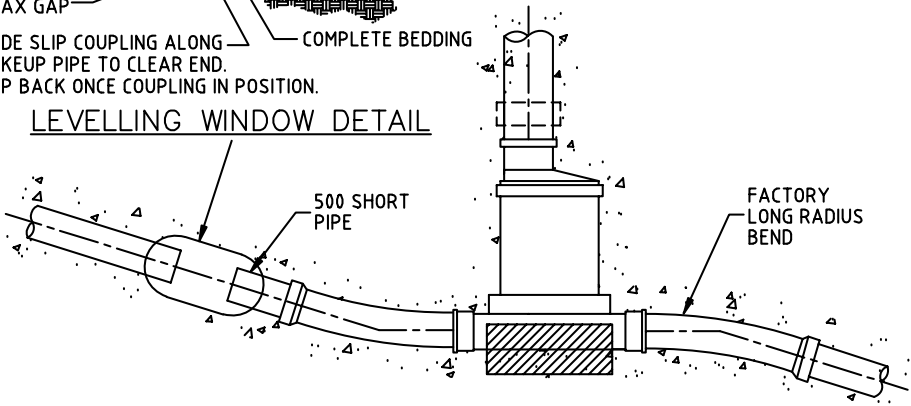
TRAFFICABLE M.S. SURROUND DETAILS

* (WEBFORGE Ø430 CLASS 'D' COVER #DCC4D32)

NON-TRAFFICABLE MAINTENANCE & RODDING SHAFT SURROUND DETAIL



LEVELLING WINDOW DETAIL



PVC & PP M.S. DETAILS
(DN100 - DN 150)

NOTES:

- BEDDING MATERIAL AND GENERAL COMPONENTRY SHALL COMPLY WITH THE REQUIREMENTS OF COUNCIL'S STANDARD SPECIFICATION SS1 AND ANY ADDENDUMS.
- THE CONTINUATION OF THE PIPE BENDING MATERIAL (NON TRAFFICABLE) OR CBR (TRAFFICABLE) UP THE RISER SHAFT SHALL BE ACCOMPLISHED THROUGH THE USE OF 500mm MINIMUM DIAMETER TRENCH SHEILD/ SHORING TUBE THAT IS REMOVED AS THE BEDDING/ BACKFILLING PROCESS CONTINUES.
- STORMWATER PRECAST SURROUND, FRAME & LID MAY BE USED FOR ALL NON CARRIAGEWAY LOCATIONS EXCEPT THAT THE DI COVER SHALL BE MARKED FOR SEWERAGE PURPOSES.
- SMARTSTREAM TOP HAT OR WEBFORGE CLASS 'B' COVER #DCC3B22 ALTERNATIVES TO SHROUD PIPE SYSTEM FOR NON TRAFFICABLE.
- LOCK DOWN QUICK RELEASE END CAPS SHALL BE SEALED BY A RUBBER RING, SCREW DOWN CAPS ARE NOT PERMITTED PRIOR TO ON-MAINTENANCE, ALL M.S. END CAPS SHALL BE PROVIDED WITH 20-25MM DIA. RUBBER BUNGS IN 20MM DRILL HOLE.
- DUCTILE IRON COVERS SHALL BE EITHER 600mm OR 430mm DIAMETER AT CLASS "D" FOR ROAD CARRIAGEWAY INSTALLATION AND AT CLASS "B" FOR ALL OTHER LOCATIONS.
- CONCRETE SUPPORT SLABS SHALL BE CONCRETE GRADE N20 FIRMLY PACKED IN PLACE TOGETHER WITH THE INCLUSION OF THE NOMINATED REINFORCING STEEL.
- DUCTILE IRON FRAMES MAY BE CAST INTO OR BOLTED ONTO THE SUPPORT SLAB. WHERE BOLTED, 4 x M12 - SS316 BOLTS SHALL BE USED TO FIX THE FRAME TO THE SLAB.
- DIMENSIONS ARE IN MILLIMETERS UNLESS SHOWN OTHERWISE.



Gold Coast City Council
GOLD COAST CITY COUNCIL
PO BOX 5042
GOLD COAST MC 9729

THIS DRAWING IS NOT TO BE AMENDED WITHOUT REFERENCE TO STANDARDS COMMITTEE				CONTROLLED DOCUMENT	DO NOT SCALE TAKE FIGURED DIMENSIONS ONLY
					DRAWN BY G.C.W
					PASSED D. HAYMAN 08/07/08
					APPROVED R. WENT 08/07/08
No.	AMENDMENT	APPROVED	DATE	ISSUED	

STANDARD DRAWING	MICROFILMED
REDUCED INFILTRATION GRAVITY SEWERS	STANDARD DRAWING No. 08-07-116
TYPICAL MAINTENANCE SHAFT DETAILS	ISSUE 2008 EDITION