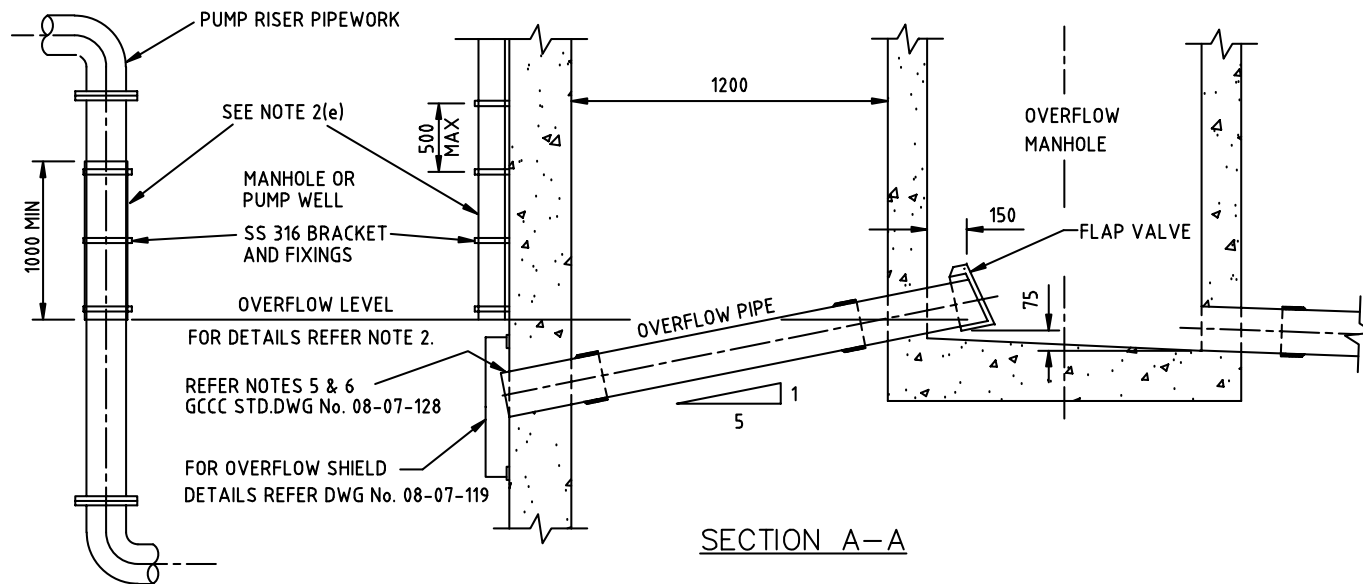


NOTES:

1. FOR OVERFLOW SCREEN DETAILS REFER G.C.C.C. STD. DWG. No. 08-07-119.
2. THE OVERFLOW LEVEL SHALL BE:
 - (a) AT LEAST 300 BELOW UNDERSIDE OF PUMP WELL ROOF SLAB.
 - (b) THE SURFACE LEVEL OF THE LOWEST MANHOLE IN THE SYSTEM.
 - (c) THE LOWEST FLOOR SLAB OR RELIEF GULLY TRAP (WHICHEVER IS THE LOWER).
 - (d) MARKED BY A BRASS PLATE ENGRAVED WITH THE DEPTH TO OVERFLOW AND ATTACHED TO TOPSIDE OF PUMP WELL ROOF SLAB, AND
 - (e) SUBJECT TO THE LEVEL, VISIBLY MARKED BY EITHER A SIMILAR DN ORANGE COLOURED PLASTIC CONDUIT, SPLIT AND ATTACHED TO THE PIPEWORK RISERS BY 316 SS CLAMPS ATTACHED AT 500 CRS OR BY A DN 100 ORANGE COLOURED PLASTIC CONDUIT ATTACHED TO THE WALL OF THE WET WELL, IN A VISIBLE LOCATION, WITH THE BASE OF EITHER CONDUIT AT OVERFLOW LEVEL.
3. FLAP VALVE SHALL BE ALUMINIUM ALLOY 6061-T6, FIBREGLASS OR TIDEFLEX TF-1.
4. DIMENSIONS ARE IN MILLIMETRES UNLESS SHOWN OTHERWISE.



THIS DRAWING IS NOT TO BE AMENDED WITHOUT REFERENCE TO STANDARDS COMMITTEE				CONTROLLED DOCUMENT	DO NOT SCALE TAKE FIGURED DIMENSIONS ONLY
				DRAWN BY	G.C.W
				PASSED	D. HAYMAN 08/07/08
				APPROVED	R. WENT 08/07/08
No.	AMENDMENT	APPROVED	DATE	ISSUED	

STANDARD DRAWING

OVERFLOW DETAILS FROM PUMP WELL OR MANHOLE

MICROFILMED
STANDARD DRAWING No. 08-07-118
ISSUE 2008 EDITION