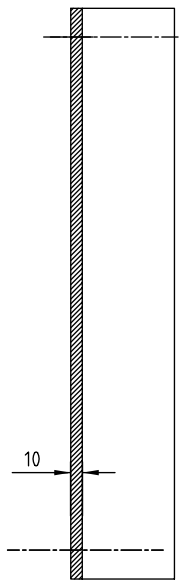
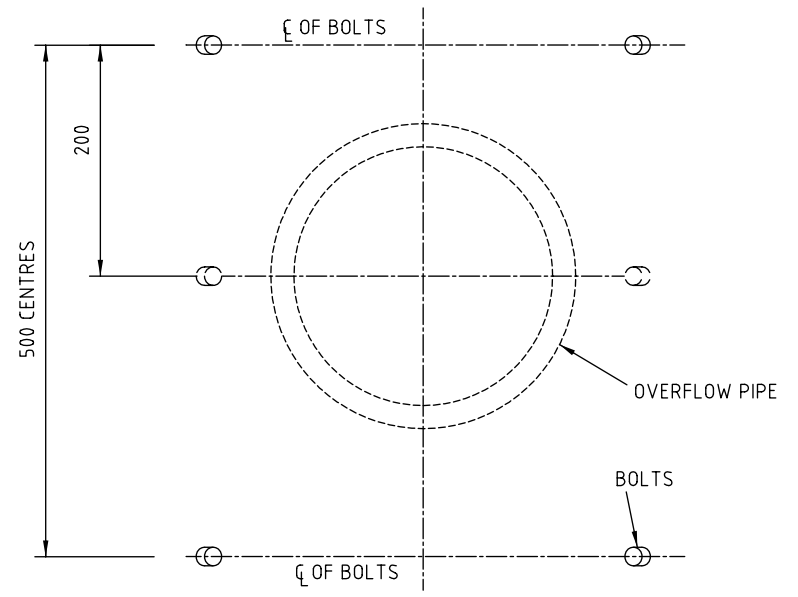


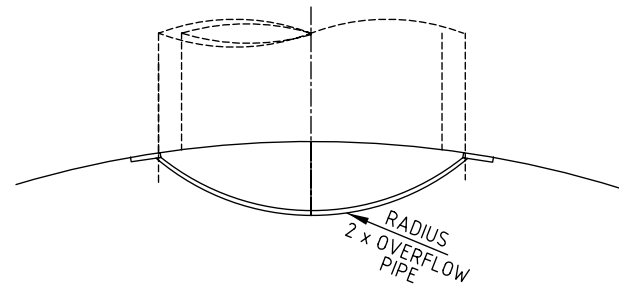
ELEVATION



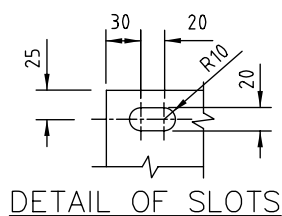
SECTION



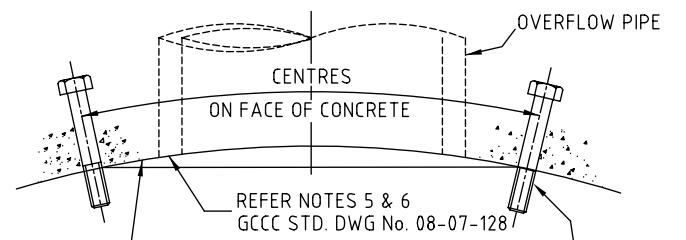
ELEVATION



PLAN
OVERFLOW SCREEN



DETAIL OF SLOTS



PLAN
POSITION OF SET-IN BOLTS

4 STAINLESS STEEL GRADE 316
HEX. HEAD BOLTS M16x115.
CHEM SET IN CONCRETE.
SHANKS TO PROJECT 45.
USE 3mm 316 WASHERS.

NOTES:

1. OVERFLOW SCREEN SHALL BE 10mm HDPE FABRICATED.
2. DIMENSIONS ARE IN MILLIMETRES UNLESS SHOWN OTHERWISE.



THIS DRAWING IS NOT TO BE AMENDED WITHOUT REFERENCE TO STANDARDS COMMITTEE				
No.	AMENDMENT	APPROVED	DATE	ISSUED

DO NOT SCALE TAKE FIGURED DIMENSIONS ONLY	
DRAWN BY	G.C.W
PASSED	D. HAYMAN 08/07/08
APPROVED	R. WENT 08/07/08

STANDARD DRAWING

OVERFLOW SCREEN

MICROFILMED
STANDARD DRAWING No. 08-07-119
ISSUE 2008 EDITION