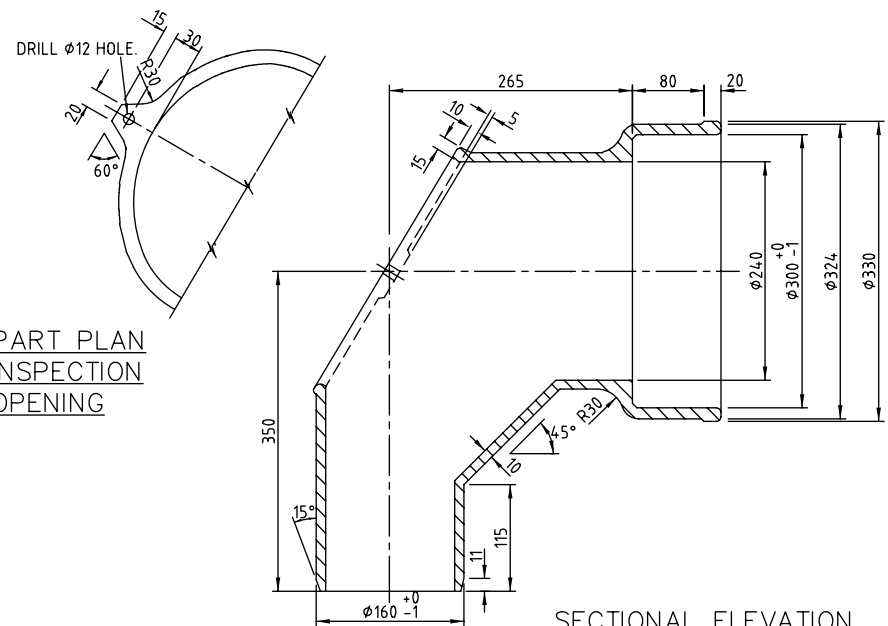


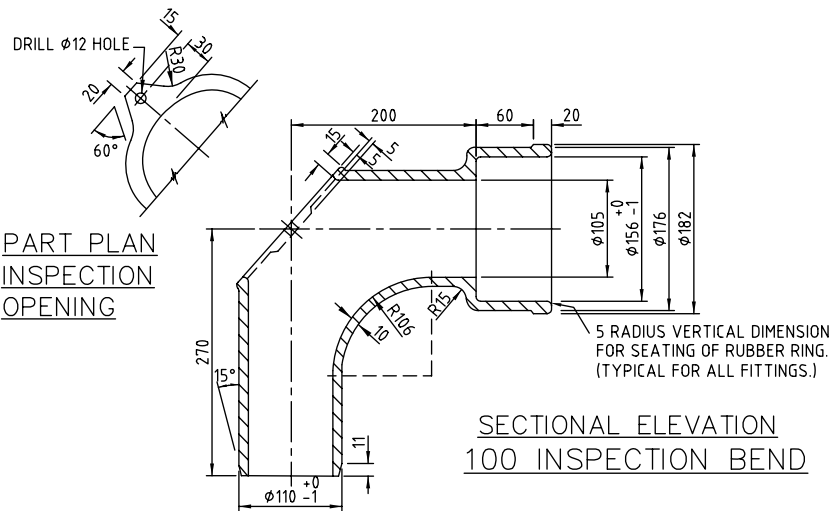
PART PLAN
INSPECTION
OPENING

SECTIONAL ELEVATION
300x150 INSPECTION BEND

PART PLAN
INSPECTION
OPENING

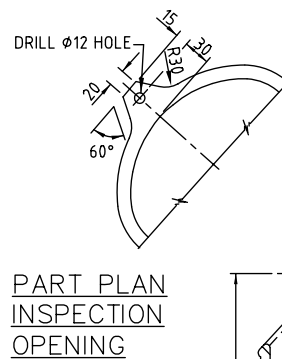


SECTIONAL ELEVATION
225x150 INSPECTION BEND



PART PLAN
INSPECTION
OPENING

SECTIONAL ELEVATION
100 INSPECTION BEND



PART PLAN
INSPECTION
OPENING

SECTIONAL ELEVATION
150 INSPECTION BEND

NOTES:

1. ALL SMALL RADII SHALL BE 5.
2. ALL FITTINGS FOR USE WITH u.P.V.C. DROP PIPES SHALL BE RUBBER RING JOINTED TO IN-COMING SEWER.
3. ALL FITTINGS FOR USE WITH V.C. PIPE/V.C. ADAPTOR PIPE SHALL BE RUBBER RING JOINTED TO IN-COMING SEWER.
4. ALL FITTINGS SHALL BE CAST SPHEROIDAL GRAPHITE IRON GRADE 500/320/7 TO COMPLY WITH AS.1831.
5. INSPECTION OPENING COVERS SHALL BE 3 THICK u.P.V.C SHEET WITH M10 NYLON NUTS & BOLTS TO SUIT.
6. DIMENSIONS ARE IN MILLIMETRES UNLESS SHOWN OTHERWISE.



THIS DRAWING IS NOT TO BE AMENDED WITHOUT REFERENCE TO STANDARDS COMMITTEE				CONTROLLED DOCUMENT	DO NOT SCALE TAKE FIGURED DIMENSIONS ONLY
				DRAWN BY G.C.W	
				PASSED D. HAYMAN	08/07/08
				APPROVED R. WENT	08/07/08
No.	AMENDMENT	APPROVED	DATE	ISSUED	

STANDARD DRAWING

**IRON INSPECTION BENDS FOR
TYPE 'X' INTERNAL DROP PIPES
IN SEWERAGE MANHOLES**

MICROFILMED
STANDARD DRAWING No. 08-07-120
ISSUE 2008 EDITION