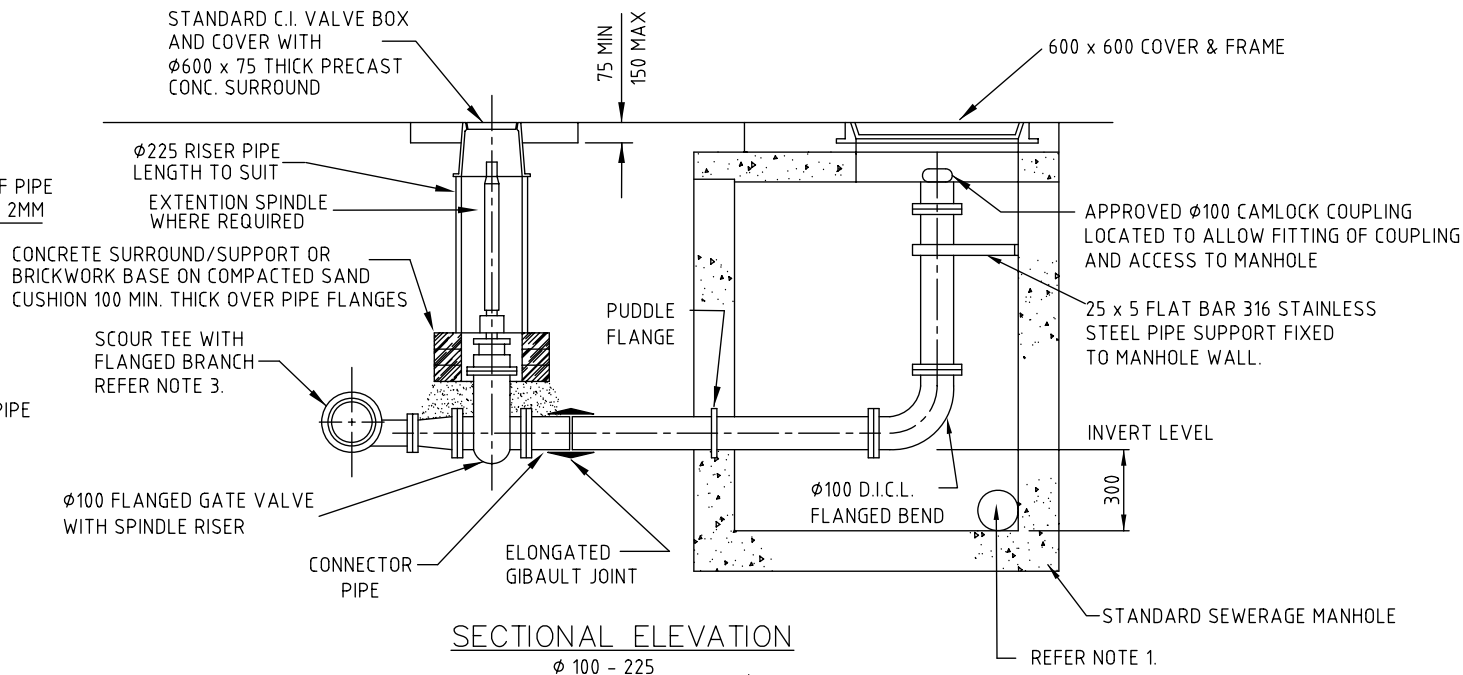


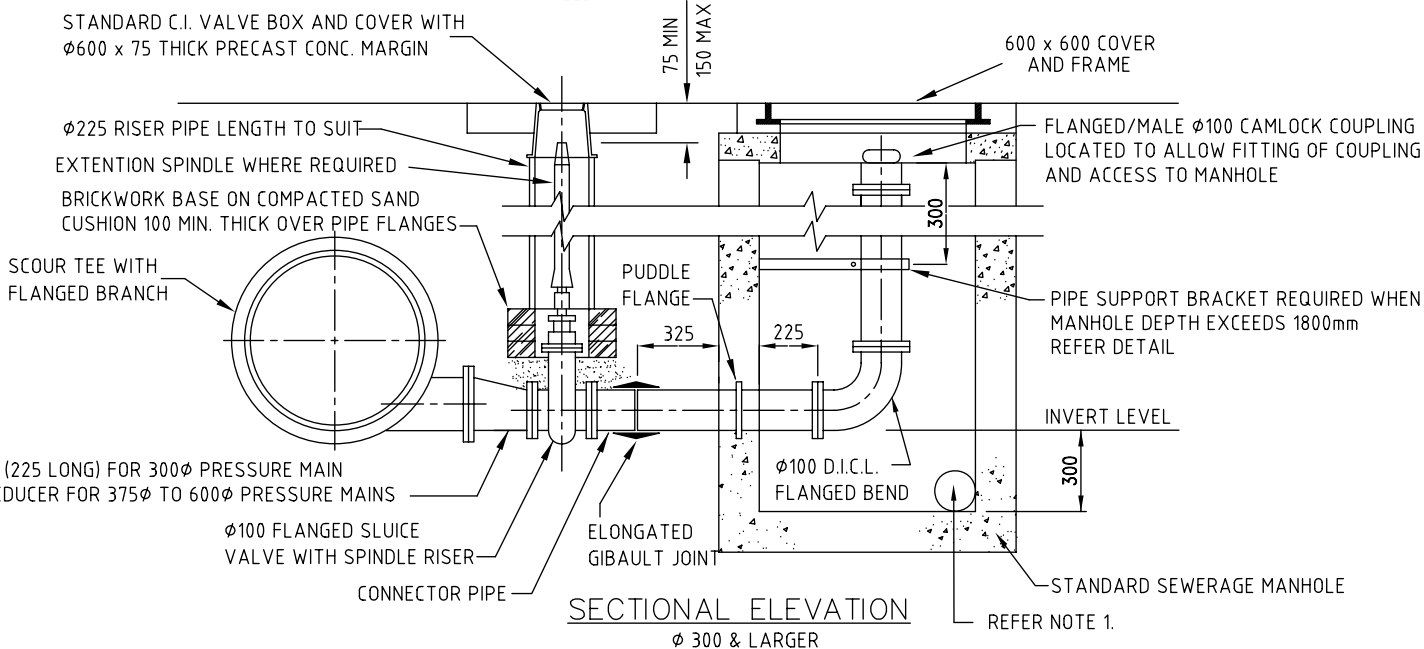
PIPE SUPPORT BRACKET



SECTIONAL ELEVATION
100 - 225

NOTES:

1. PROVIDE A 150 SPILLAGE PIPE AND FLAP VALVE TO SEWERAGE MANHOLE. REFER G.C.C.C. STD. DWG. No 08-07-118. GRADE OVERFLOW DOWN TO MANHOLE.
2. THE DUCTILE IRON PIPE SHALL BE EXTENDED THROUGH CORED HOLE INTO MANHOLE. APPLY APPROVED EPOXY MORTAR TO HOLE.
3. THE ARRANGEMENT SHOWN IS FOR 100 AND 150 MAINS WITH 80 SCOUR TEES. MAINS 225 TO 300 DO NOT REQUIRE A TAPER FOR 100 SCOUR OUTLET.
4. CONCRETE SURROUND, BOX & MH COVER SHALL BE PAINTED WITH APPROVED BLACK PAINT.
5. FOR PAVEMENT AND KERB & CHANNEL MARKING DETAILS REFER G.C.C.C. STD. DWG. No. 08-07-124.
6. FOR CONCRETE SURROUND, SUPPORT AND VALVE BOX DETAILS REFER G.C.C.C. STD. DWG. Nos. 08-06-301 & 08-06-302.
7. DIMENSIONS ARE IN MILLIMETRES UNLESS SHOWN OTHERWISE.



SECTIONAL ELEVATION
300 & LARGER



GOLD COAST CITY COUNCIL
PO BOX 5042
GOLD COAST MC 9729

THIS DRAWING IS NOT TO BE AMENDED WITHOUT REFERENCE TO STANDARDS COMMITTEE					CONTROLLED DOCUMENT	DO NOT SCALE TAKE FIGURED DIMENSIONS ONLY		STANDARD DRAWING	MICROFILMED		
					DRAWN BY	G.C.W				PRESSURE MAIN SCOUR VALVE ARRANGEMENT	STANDARD DRAWING No.
					PASSED	D. HAYMAN 08/07/08					08-07-122
					APPROVED	R. WENT 08/07/08					ISSUE
No.	AMENDMENT	APPROVED	DATE	ISSUED					2008 EDITION		