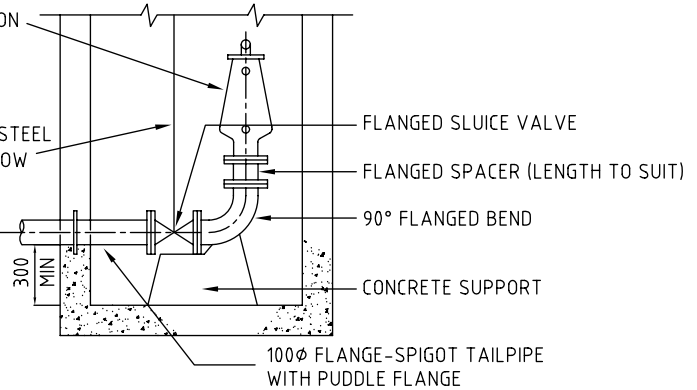
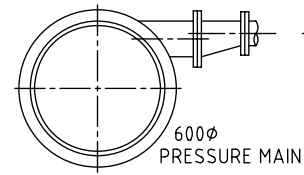


**SECTIONAL ELEVATION**

100φ - 225φ PRESSURE MAIN REFER TO NOTE 1

INSTALL GAS RELEASE VALVE COMPLETE WITH BACK WASH FACILITY AND FLANGED CONNECTION AS DETAILED ON THE APPROVED DRAWINGS WITH 100 CLEARANCE BETWEEN TOP OF VALVE AND UNDERSIDE OF LID.

TURNED BRASS OR STAINLESS STEEL EXTENSION SPINDLE TO 100 BELOW LID.



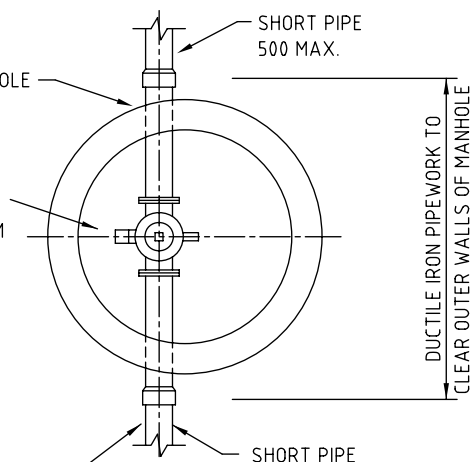
**SECTIONAL ELEVATION**

300φ - 600φ PRESSURE MAIN

**NOTE:**

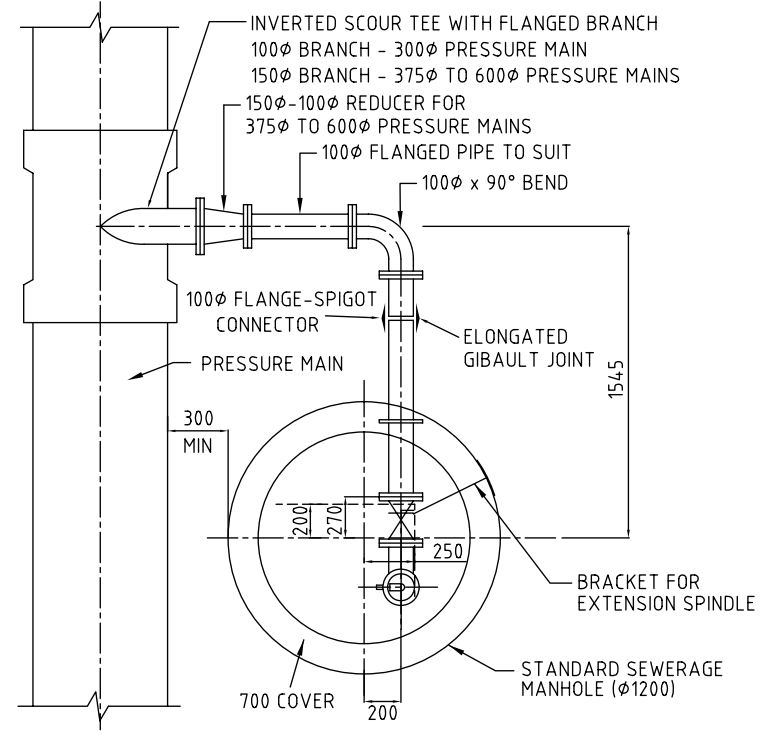
1. DETAILS SHOWN ARE FOR A BURRIED 100φ SEWERAGE PRESSURE MAIN.
2. FOR LARGER THAN φ100 SEWERAGE PRESSURE MAINS A LARGER SEWERAGE MANHOLE MAY BE REQUIRED.
3. FOR LARGER THAN φ100 SEWERAGE PRESSURE MAINS PROVIDE A φ100 FLANGED BRANCH HYDRANT TEE.
4. CARE SHALL BE TAKEN TO ENSURE THAT ALL CONCRETE IS KEPT CLEAR OF THE FLEXIBLE AND FLANGED JOINTS.
5. FOR PAVEMENT AND KERB & CHANNEL MARKING DETAILS REFER G.C.C.C. STD. DWG. 08-07-124.
6. DIMENSIONS ARE IN MILLIMETRES UNLESS SHOWN OTHERWISE.

STANDARD TYPE B OR 1200 PRECAST SEWERAGE MANHOLE  
700 HINGED COVER NORINCO BR10 D400 OR EQUAL PAINTED WITH APPROVED BLACK PAINT. LOCATE COVER TO PROVIDE MAXIMUM PERSON ENTRY ACCESS AND ACCESS TO HANDWHEEL.



**PLAN**

REFER NOTE 1



**PLAN**



THIS DRAWING IS NOT TO BE AMENDED WITHOUT REFERENCE TO STANDARDS COMMITTEE			
No.	AMENDMENT	APPROVED	DATE

CONTROLLED DOCUMENT

DO NOT SCALE TAKE FIGURED DIMENSIONS ONLY	
DRAWN BY	G.C.W
PASSED	D. HAYMAN 08/07/08
APPROVED	R. WENT 08/07/08

**STANDARD DRAWING**

**TYPICAL GAS RELEASE VALVE ARRANGEMENT FOR SEWERAGE PRESSURE MAINS**

MICROFILMED	
STANDARD DRAWING No.	08-07-123
ISSUE	2008 EDITION