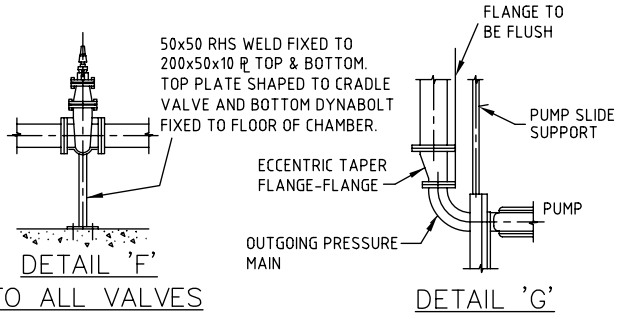


SECTION A-A



TO ALL VALVES

DETAIL 'G'

- LEGEND**
1. 900 LONG FLANGE & PLAIN D.I. PIPE
  2. FLANGE & PLAIN D.I. PIPE LENGTH TO SUIT
  3. FLAP VALVE - ALUMINIUM ALLOY 6061-T6 OR SIMILAR
  4. FLANGE - FLANGE - FLANGE TEE PIECE
  - 4A. FLANGE - FLANGE - Ø100 FLANGE TEE PIECE
  5. STANDARD PUMPOUT FITTING Ø100
  6. FLANGE - FLANGE D.I. 90° BEND
  - 6A. Ø100 FLANGE - FLANGE D.I. 90° BEND
  7. FLANGE - FLANGE GATE VALVE
  8. FLANGE - FLANGE REFLUX VALVE WITH COUNTER WEIGHT
  9. ELONGATED GIBAULT JOINT
  10. PUDDLE FLANGE
  11. Ø100 FLANGE - FLANGE GATE VALVE
  12. MASS CONCRETE THRUST BLOCK
  13. FLANGED ASSEMBLY JOINT
  14. FLANGE - FLANGE D.I. PIPE LENGTH TO SUIT
  - 14A. Ø100 FLANGE - FLANGE D.I. PIPE LENGTH TO SUIT
  - 14B. PE100 PN16 FL - FL PIPE CUT TO SUIT.
  15. SS316 FLANGE RINGS.
  - 15A. PIPEWORK SUPPORT BRACKET 50x50 RHS GALVANIZED
  16. GALVANIZED GUIDE RAIL AND CHAINS.

**NOTES:**

1. THIS DRAWING SHOULD BE READ IN CONJUNCTION WITH G.C.C.C. STD. DWG. Nos. 08-07-125 TO 08-07-131 AND 08-07-134.
2. PUMP BASEPLATES AND SLIDE SUPPORTS SHALL BE FIXED TO FLOOR AND TOP OF SLAB WITH STAINLESS STEEL DROP FLUSH ANCHOR MASONRY FASTENERS IN ACCORDANCE WITH THE MANUFACTURERS RECOMMENDATION.
3. uPVC DROP PIPE TO TERMINATE 200 ABOVE PUMP STOP LEVEL 'F'. PROVIDE STAINLESS STEEL DROP PIPE BRACKETS AT 500 CENTRES FIXED TO WALL WITH 2 x M10 SS MASONRY FASTENERS. REFER NOTE 6.
4. PIPES SHALL BE TAPPED AND FITTED WITH 12 BRASS NIPPLE, GATE VALVE, TEE AND PRESSURE GAUGE WITH SERIES 1 DN16 PN16 SDR9 PE80B M.D.P.E. POLYPIPE DISCHARGE TO PUMP WELL. REFER NOTE 6.
5. ALL INTERNAL VERTICAL, SOFFIT & COVER OPENING WET WELL SURFACES SHALL BE COATED WITH AN APPROVED PROTECTIVE COATING SYSTEM IN ACCORDANCE WITH THE MANUFACTURERS RECOMMENDATIONS. BENCHING SHALL NOT BE COATED.
6. THE PROTECTIVE COATING SYSTEM SHALL BE SEALED AT BENCHING EDGES, ALL ENTRIES THROUGH THE CONCRETE STRUCTURE AND AT ALL FITMENT HOLES WITH AN APPROVED SILICON ADHESIVE IN ACCORDANCE WITH THE MANUFACTURERS RECOMMENDATIONS.
7. PROVIDE 2X316SS M20 EYE BOLTS CHEMICALLY SET 150mm INTO WALL.
8. DIMENSIONS ARE IN MILLIMETRES UNLESS SHOWN OTHERWISE.

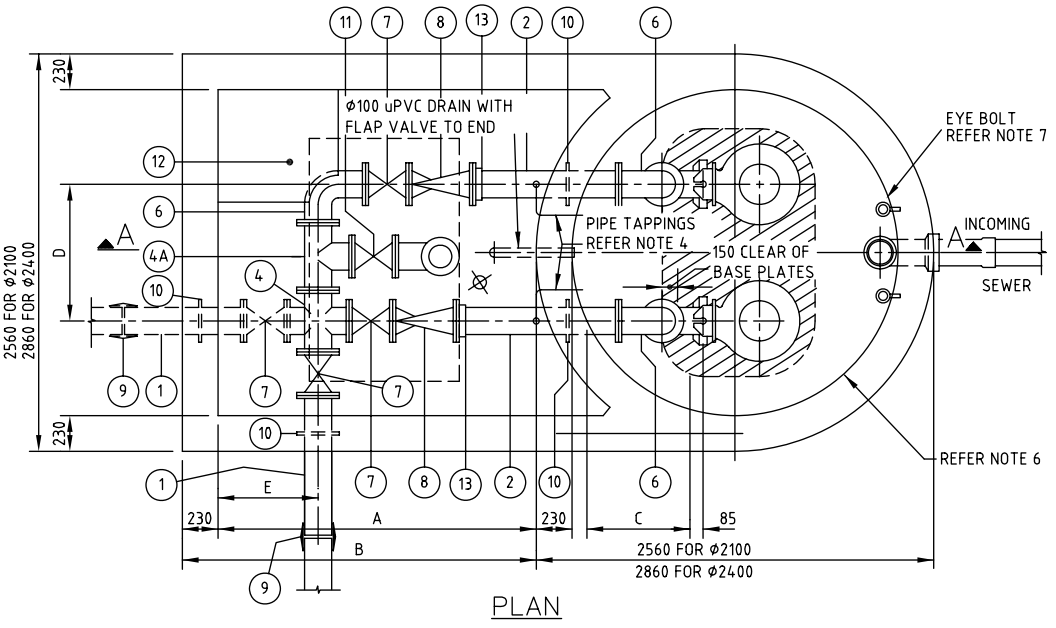
**PUMP**

PUMP TYPE	
PUMP RATING FLOW/HEAD	
LEVEL 'A'	m
LEVEL 'B'	m
LEVEL 'C'	m
LEVEL 'D'	m
LEVEL 'E' PRESENT	m
LEVEL 'E' ULTIMATE	m
LEVEL 'F'	m
LEVEL 'G' 300 BELOW INLET OR OVERFLOW	m

**OVERFLOW**

OVERFLOW LEVEL AT WELL	m
LOWEST HOUSE FLOOR LEVEL OR MANHOLE LID	m

DIMENSION	A	B	C	D	E
Ø100	1850	2080	600	775	600
Ø150	2050	2280	650	888	650
Ø225	REFER APPROVED DRAWINGS				



PLAN



THIS DRAWING IS NOT TO BE AMENDED WITHOUT REFERENCE TO STANDARDS COMMITTEE

No.	AMENDMENT	APPROVED	DATE	ISSUED

CONTROLLED DOCUMENT

DO NOT SCALE  
TAKE FIGURED DIMENSIONS ONLY

DRAWN BY	G.C.W
PASSED	D. HAYMAN 08/07/08
APPROVED	R. WENT 08/07/08

**STANDARD DRAWING**

TYPICAL SEWERAGE PUMP  
STATION 2100 Dia & 2400 Dia  
PLAN 1 OF 3 - PIPEWORK

MICROFILMED

STANDARD DRAWING No.  
08-07-128

ISSUE  
2008 EDITION