

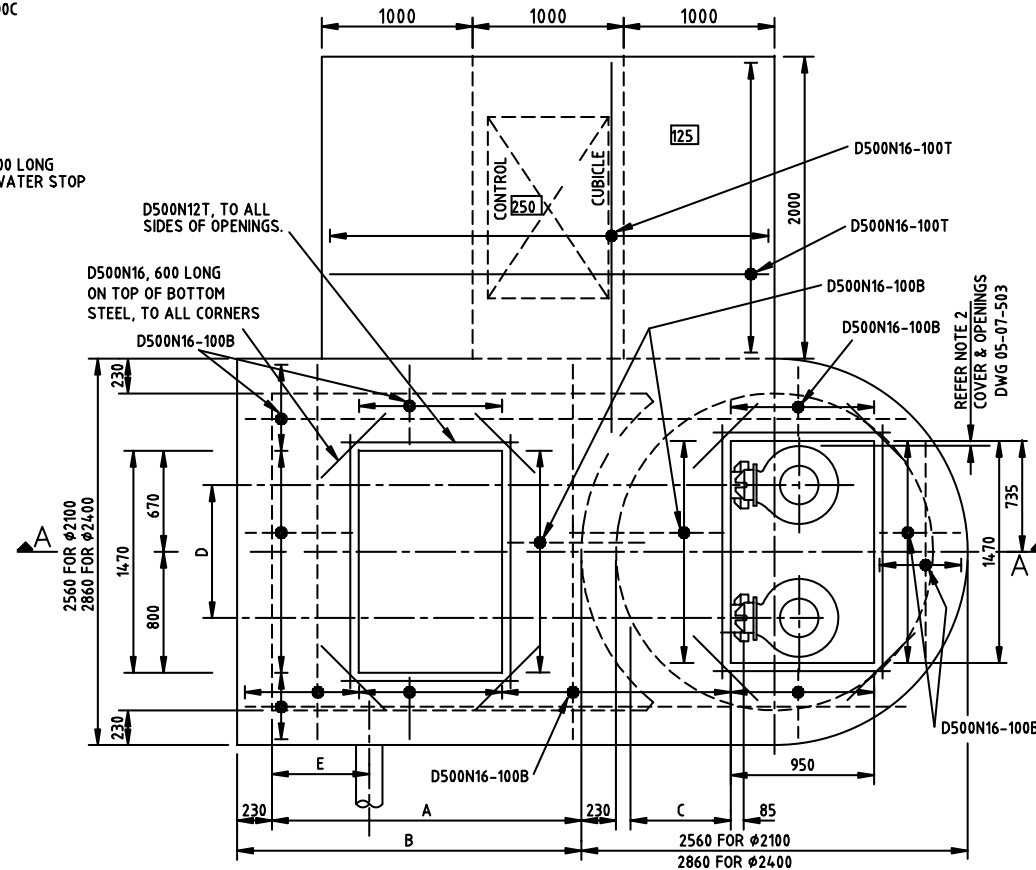
**PUMP WELL - VALVE CHAMBER JUNCTION**

**CONCRETE NOTES**

- ALL CONCRETE SHALL:
  - BE GRADE S40
  - COMPLY WITH THE REQUIREMENTS OF COUNCILS STANDARD SPECIFICATION SS1.
- CORED HOLES LEFT IN THE WALL FOR PIPEWORK SHALL BE TAPERED BEING 25 LARGER IN DIAMETER THAN THE FLANGE AT THE INSIDE FACE AND 50 LARGER AT THE OUTSIDE FACE. PACK HOLES WITH 3:1 CEMENT MORTAR UNLESS OTHERWISE DIRECTED.
- ALL REINFORCING TO AS/NZS 4671:2001.
- LAPS IN REINFORCING SHALL BE 600 MINIMUM FOR BARS AND ONE (1) MESH SPACING FOR FABRIC.
- CONCRETE COVER TO REINFORCEMENT SHALL BE A MINIMUM OF 65 UNLESS OTHERWISE DIRECTED.

**NOTES:**

- THIS DRAWING SHOULD BE READ IN CONJUNCTION WITH G.C.C.C. STD. DWG. Nos. 08-07-125 TO 08-07-131. AND 08-07-134.
- THE THICKNESS OF THE BASE SHOWN IS FOR PUMP STATIONS TO A 4m MAXIMUM DEPTH.
- FOR PUMP STATIONS DEEPER THAN 4m THE BASE THICKNESS SHALL BE INCREASED TO COVER FLOATION OF THE STRUCTURE WHEN EMPTY OF PUMPS, FITTINGS, PIPEWORK AND LIQUID. THE THICKNESS SHALL BE AS DETAILED ON THE APPROVED DRAWINGS.
- TOP OF WALLS TO BE WELL SCABBLED AND TOP SLAB TO BE SEATED ON MORTAR CONTAINING APPROVED WATERPROOF ADDITIVES.
- ALL INTERNAL VERTICAL, SOFFIT & COVER OPENING WET WELL SURFACES SHALL BE COATED WITH AN APPROVED PROTECTIVE COATING SYSTEM IN ACCORDANCE WITH THE MANUFACTURERS RECOMMENDATIONS. BENCHING SHALL NOT BE COATED.
- THE PROTECTIVE COATING SYSTEM SHALL BE SEALED AT BENCHING EDGES. ALL ENTRIES THROUGH THE CONCRETE STRUCTURE AND AT ALL FITMENT HOLES WITH AN APPROVED SILICON ADHESIVE IN ACCORDANCE WITH THE MANUFACTURERS RECOMMENDATIONS.
- CONDUITS ARE TO BE LOCATED IN AND UNDER THE ROOF SLAB REFER DWG 08-07-130 FOR DETAILS.
- DIMENSIONS ARE IN MILLIMETRES UNLESS SHOWN OTHERWISE.



**PLAN - ROOF SLAB**



GOLD COAST CITY COUNCIL  
PO BOX 5042  
GOLD COAST MC 9728

THIS DRAWING IS NOT TO BE AMENDED WITHOUT REFERENCE TO STANDARDS COMMITTEE			CONTROLLED DOCUMENT	DO NOT SCALE TAKE FIGURED DIMENSIONS ONLY	
No.	AMENDMENT	APPROVED	DATE	ISSUED	
					DRAWN BY G.C.W.
					PASSED D. HAYMAN 08/07/08
					APPROVED R. WENT 08/07/08

**STANDARD DRAWING**  
**TYPICAL SEWERAGE PUMP STATION 2100 Dia & 2400 Dia**  
**PLAN 2 OF 3 - WELL CONSTRUCTION**

MICROFILMED  
STANDARD DRAWING No. 08-07-129  
ISSUE 2008 EDITION