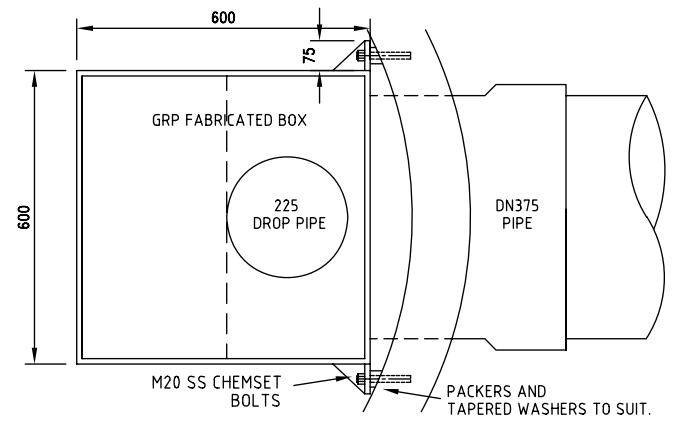


PLAN



DROP BOX DETAIL

1. DETAILS SHOWN ARE FOR A 375 INCOMING SEWER.
2. LARGER SEWERS SHALL BE PROVIDED WITH A DROP PIPE OF 2 DIAMETERS SMALLER.
3. DROP BRACKET AND ALL BOLTS SS316.

NOTES:

1. THIS DRAWING SHOULD BE READ IN CONJUNCTION WITH G.C.C.C. STD. DWG. Nos. 08-07-125 TO 08-07-127 & 08-07-132 TO 08-07-134.
2. PUMP BASEPLATES AND SLIDE SUPPORTS SHALL BE FIXED TO FLOOR AND TOP OF SLAB WITH STAINLESS STEEL DROP FLUSH ANCHOR MASONARY FASTENERS IN ACCORDANCE WITH THE MANUFACTURERS RECOMMENDATION.
3. THE THICKNESS OF THE BASE SHOWN IS FOR PUMP STATIONS TO AN 8m MAXIMUM DEPTH.
4. FOR PUMP STATIONS DEEPER THAN 8m THE BASE THICKNESS SHALL BE INCREASED TO COVER FLOTATION OF THE STRUCTURE WHEN EMPTY OF PUMPS, FITTINGS, PIPEWORK AND LIQUID. THE THICKNESS SHALL BE AS DETAILED ON THE APPROVED DRAWINGS.
5. VALVE PIT HAS BEEN DESIGNED FOR A MAXIMUM DEPTH OF 3.5m.
6. TOP OF WALLS TO BE WELL SCABBLED AND TOP SLAB TO BE SEATED ON MORTAR CONTAINING APPROVED WATERPROOF ADDITIVES.
7. PIPES SHALL BE TAPPED AND FITTED WITH 12 BRASS NIPPLE, SLUICE VALVE, TEE AND PRESSURE GAUGE WITH Ø16 CLASS PN16 PE80 TYPE B M.D.P.E. POLYPIPE DISCHARGE TO PUMP WELL. EXTEND POLYPIPE 2.0m DOWN WALL.
8. ONE ONLY INCOMING SEWER IS ALLOWED TO ANY PUMP WELL
9. VENT PIPE 150 uPVC. FOR VENT POLE DETAILS REFER TO G.C.C.C STD DWG No. 08-07-117.
10. DIMENSIONS ARE IN MILLIMETRES UNLESS SHOWN OTHERWISE

PUMP

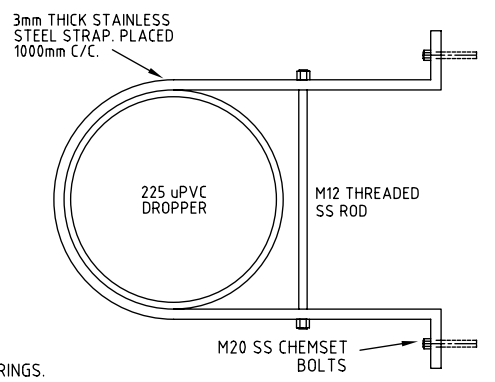
PUMP TYPE	
PUMP RATING FLOW/HEAD	
LEVEL 'A'	m
LEVEL 'B'	m
LEVEL 'C'	m
LEVEL 'D'	m
LEVEL 'E' PRESENT	m
LEVEL 'E' ULTIMATE	m
LEVEL 'F'	m
LEVEL 'G' 300 BELOW INLET OR OVERFLOW	m

LEGEND

- ALL PIPEWORK 300Ø UNLESS NOTED OTHERWISE
1. 900 LONG FLANGE & PLAIN D.I. PIPE
 2. FLANGE & PLAIN D.I. PIPE LENGTH TO SUIT
 3. FLAP VALVE - ALUMINIUM ALLOY 6061-T6 OR SIMILAR
 4. FLANGE - FLANGE - Ø100 FLANGE TEE PIECE
 5. STANDARD PUMPOUT FITTING Ø100
 6. FLANGE - FLANGE D.I. 90° BEND
 7. FLANGE - FLANGE SLUICE VALVE
 8. FLANGE - FLANGE REFLUX VALVE WITH COUNTER WEIGHT
 9. ELONGATED GIBBAULT JOINT
 10. PUDDLE FLANGE
 11. Ø100 FLANGE / FLANGE SLUICE VALVE
 12. MASS CONCRETE THRUST BLOCK
 13. UNI-FLANGE JOINT
 14. FLANGE - FLANGE D.I. PIPE LENGTH TO SUIT
 - 14A. PE100 PN16 FL-FL PIPE LENGTH TO SUIT. SS316 FLANGE RINGS.
 15. FLANGE - FLANGE ECCENTRIC TAPER 300Ø-200Ø
 16. FLANGE - FLANGE TEE
 17. FLANGE - FLANGE D.I. 90° BEND 200Ø
 18. SS316 TRIANGULATED BRACKETS FOR PE RISERS. 2000mm SPACINGS.

OVERFLOW

OVERFLOW LEVEL AT WELL	m
LOWEST HOUSE FLOOR LEVEL OR MANHOLE LID	m



DROP PIPE BRACKET DETAIL



THIS DRAWING IS NOT TO BE AMENDED WITHOUT REFERENCE TO STANDARDS COMMITTEE

CONTROLLED DOCUMENT

DO NOT SCALE TAKE FIGURED DIMENSIONS ONLY

STANDARD DRAWING

MICROFILMED

GOLD COAST CITY COUNCIL
PO BOX 5042
GOLD COAST MC 9729

No.	AMENDMENT	APPROVED	DATE	ISSUED
-----	-----------	----------	------	--------

DRAWN BY	G.C.W
PASSED	D. HAYMAN 08/07/08
APPROVED	R. WENT 08/07/08

TYPICAL SEWERAGE PUMP STATION 3200 Dia & 4000 Dia (SHEET 1 OF 3)

STANDARD DRAWING No. 08-07-131
ISSUE 2008 EDITION